

TABLE OF CONTENTS

Woods Service Set-Up Guide	Set-Up1 – Set-Up2
Rotary Cutters	RC1 – RC30
Table of Contents	RC1
Single-Spindle Cutters	RC2 – RC6
Ditch Bank Cutter	RC7
Dual-Spindle Cutters	RC8 – RC13
Batwing [®] Cutters	RC14 – RC30
Flail Shredders	FS1 – FS6
Table of Contents	FS1
Center Drive Flail Shredders	FS2 – FS5
Finish Mowers	FM1 – FM6
Table of Contents	FM1
Rear-Mount and Rear Discharge Mowers	FM2 – FM4
Turf Batwing [®] Rear Discharge Mowers	FM5 – FM6
Zero-Turn Mowers	ZT1 – ZT6
Table of Contents	ZT1
FZ22-2 Front-Mount Mower, Attachments & Accessories	ZT2 – ZT3
FZ27/FZ25D Front-Mount Commercial Mowers, Attachments & Accessories	ZT4 – ZT6
Landscape Equipment	LE1 – LE16
Table of Contents	LE1
Box Scrapers	LE2 – LE5
Grading Scrapers	LE6
Landscape Rakes	LE7
Post Hole Diggers, Augers and Accessories	LE8 – LE9
Cultipackers	LE10
Quick Hitches	LE11
Rear Blades	LE12 – LE15
Stump Grinders	LE16
Wood & Brush Equipment	WB1 – WB2
Tillage Equipment	TE1 – TE6
Table of Contents	TE1
Disc Harrows	TE2 – TE3
Rotary Tillers	TE4 – TE5

Continued on next page

TABLE OF CONTENTS (Continued)

Seeders	SE1 – SE14
Table of Contents	SE1
Compact Super Seeders	SE2 – SE3
Food Plot Seeders	SE4 – SE7
Precision Super Seeders	SE8 – SE14
Snow Blowers	SN1 – SN4
Loaders	LdrTOC1 – LdrAttach12
Table of Contents	LdrTOC1 – LdrTOC4
Tractor / Loader Adaptability Chart	LdrChart1 – LdrChart6
Sub-Compact Series Loaders (LS72, LS84, LS96R)	LS72QO1 – LS96RQO4
Compact Series Loaders (LC96, LC102, LC108, LC114)	LC96QO1 – LC114CO6
Utility Series Loaders (LU126, LU132)	LU126QO1 – LU132CO6
Loader Attachments	LdrAttach1 – LdrAttach11
Backhoes	BH1 – BH36
Table of Contents	BH1
Tractor/Backhoe Adaptability Chart	BH2 – BH4
BH65 Groundbreaker®	BH5 – BH9
BH75 Groundbreaker	BH10 – BH20
BH85 Groundbreaker	BH21 – BH28
BH100 Groundbreaker	BH29 – BH36
Skid Steer Attachments	SS1 – SS4
Table of Contents	SS1
Woods® Skid Steer Attachments	SS2 – SS4
Construction	CO1 – CO10
Table of Contents	CO1
Alitec™ Skid Steer Attachments	CO2 – CO8
Gannon® Universal Industrial Scrapers	CO9 – CO10
Miscellaneous	MISC1 – MISC36
Table of Contents	MISC1
Woods Truck Pricing Program	MISC2 – MISC4
Warranty Policy and Labor Guide	MISC5 – MISC36





WOODS SERVICE SET-UP GUIDE

PRODUCT	MODEL	HOURS TO SET UP	FACTORY ASSEMBLED
ROTARY CUTTERS			
Single-Spindle Cutters	RC & BB	2	
Multi-Spindle Cutters	DS	4	
Assembled Batwing Cutters	All Models	1	Yes
Batwing Accessories	All Models	1	Yes
Ditchbank Cutters	DBH	2	
Ditchbank Accessories	DBH	1	
FLAIL SHREDDERS			
Flail Shredders – 3-point	All Models	2.5	
Flail Shredders – Pull-type	All Models	3	
4-Wheel Casters	All Models	5	
FINISH MOWERS			
Rearmount Mowers	TK & TKP	2	
Rearmount Mowers	RD990	3	
Turf Batwings	All Models	1.5	Yes
ZERO-TURN MOWERS			
Zero-Turn Mowers	FZ with Deck	4	
Zero-Turn Mowers	DB600 Dozer Blade 60"	2	
Zero-Turn Mowers	VAC. System	4	
Zero-Turn Mowers	ST500	2	
LANDSCAPE PRODUCTS			
Box Blades	GBC48, BSS & BSM	1	
Box Blades	Gannon®	1	
Grading Scrapers	All Models	1	
Rear Blades	RBS & RBS-P (All Models)	1	
Rear Blades	HBL (All Models)	1	
Rear Blades	RB750 & RB850	4	
Rear Blades	RB990 & RB1010	4	
Rear Blades	End Plates	0.5	
Rear Blades	Skid Shoes	0.5	
Landscape Rakes	LRS (All Models)	1	
Landscape Rakes	LRS Tail Wheel Kit	0.5	
Landscape Rakes	Parking Stand	0.25	
Post Hole Diggers	All Models	1	
Stump Grinders	TSG50 Hydraulic Kit	2	
TILLAGE EQUIPMENT			
DHM	All Models	1	
Tillers	RT, RTR, TC, TCR	1.5	

Continued on next page





WOODS SERVICE SET-UP GUIDE

PRODUCT	MODEL	HOURS TO SET UP	FACTORY ASSEMBLED
SEEDERS			
Seeders	CSS, PSS & FPS	0.5	Yes
Seeder Accessories	Mud Scrapers	2	
Seeder Accessories	Cultipacker	1	
Seeder Accessories	Seed Box	6 to 8	
Seeder Accessories	Tow Kit	2	
SNOW BLOWERS			
Snow Blowers	All Models	2	
Snow Blowers	Chute Rotator	1 to 2	
Snow Blowers	Chute Deflector	1 to 2	
LOADERS			
LS Series Loaders	LS72, LS84 & LSR96	4	
LC Series Loaders	LC96, LC102 & LC114	5	
LU Series Loaders	LU126 & LU132	6	
BACKHOES			
Backhoes	All Models	1	
Backhoes	Subframe/4-point (All Models)	5	
Backhoes	SAF-T-LOK® (All Models)	2	
SKID STEER			
Augers/Post Hole Diggers	All Models	1.5	
Bale Spears	All Models	1	
Pallet Forks	All Models	1	
Manure Forks	All Models	1	
Tooth Bars	All Models	0.5	
Bale Clamps	All Models	1	
Angle Brooms	All Models	1	
Pick-up Brooms	All Models	1	
Grapple Buckets	All Models	1	
Buckets	All Models	0	
Stump Grinders	All Models	2	



TABLE OF CONTENTS

Single-Spindle Cutters	RC2 – RC6
RC-Series: 3.5-, 4-, 5- and 6-foot	RC2 – RC3
4- through 7-foot BrushBull™, Standard-Duty	RC4
5- through 7-foot BrushBull, Medium-Duty	RC5
5- through 7-foot BrushBull, Heavy-Duty	RC6
Ditch Bank Cutter	RC7
5- and 6-foot Hydraulic Drive	RC7
Dual-Spindle Cutters	RC8 – RC13
8-foot, 30 Series Dual-Spindle	RC8
10-foot, 40 Series Dual-Spindle	RC9
8-foot, 50 Series Dual-Spindle	RC10
8-foot Offset, 50 Series Dual-Spindle	RC11
10-foot, 50 Series Dual-Spindle	RC12
10-foot Offset, 50 Series Dual-Spindle	RC13
Batwing® Cutters	RC14 – RC30
12-foot Dual-Wing, For Compact/Utility Tractors	RC14
10.5-foot, Standard-Duty Single-Wing	RC15
15-foot, Standard-Duty Dual-Wing	RC16
10.5-foot, Heavy-Duty Single-Wing	RC17 – RC18
15-foot, Heavy-Duty Dual-Wing	RC19 – RC20
10.5-foot, Extreme-Duty Single-Wing	RC21 – RC22
15-foot, Extreme-Duty Dual-Wing	RC23 – RC24
20-foot, Standard-Duty Dual-Wing	RC25
20-foot, Heavy-Duty Dual-Wing	RC26
13.5-foot, Extreme-Duty Single-Wing	RC27 – RC28
20-foot, Extreme-Duty Dual-Wing	RC29 – RC30

NOTE: All gearbox horsepower ratings listed in the following specifications are based on Woods' field testing.



RC-SERIES SINGLE-SPINDLE ROTARY CUTTER

3.5-, 4-, 5- and 6-foot – RC3.5, RC4, RC5 & RC6

DEALER ASSEMBLED

FEATURES & SPECIFICATIONS:

Tractor PTO hp requirement:
 15 – 40 PTO hp (RC3.5 & RC4);
 20 – 50 PTO hp (RC5 & RC6)
 Tractor PTO speed: 540 rpm
 Tractor 3-point hitch size:
 Cat 1 (quick-hitch ready)
 Tail Wheel: 4-inch x 16-inch
 laminated tire with 360° rotation

Thrown Object Protection:
 † Rear steel band deflector and front
 rubber belt deflector – standard
 Front and rear chain shielding – optional
 Cut: 1-inch diameter
 Blade size: 1/2-inch x 11-inch
 Gearbox hp rating: 50
 3-year gearbox warranty



WARNING: STANDARD FRONT RUBBER AND REAR STEEL BAND DEFLECTOR SHIELD OR OPTIONAL CHAIN SHIELDING must be used for all non-agricultural uses and in areas where possibility of thrown objects could be hazardous to persons or property.

See “Match Your Tractor” terms and conditions for ordering criteria below.

5% ADDITIONAL DISCOUNT OFF FIVE (5) PACKS** AS DEFINED BELOW.

BASE UNIT

Model No.	Width (ft.)	Drive	Woods® Orange Part No.	Green ¹ Part No.*	Orange ² Part No.*	Blue ³ Part No.*	Shipping Wt. (lbs.)	Suggested List Price Per Unit **	5 Pack List Price Per Unit **
RC3.5	3.5	Shear Pin	1038343	1038343JD	1038343KO	1038343VB	396	\$ 1,546.00	—
		Slip Clutch	1038343C	1038343CJD	1038343CKO	1038343CVB	408	1,729.00	—
RC4	4	Shear Pin	1038344	1038344JD	1038344KO	1038344VB	432	1,588.00	\$ 1,509.00
		Slip Clutch	1038344C	1038344CJD	1038344CKO	1038344CVB	444	1,773.00	1,684.00
RC5	5	Shear Pin	1038345	1038345JD	1038345KO	1038345VB	494	1,719.00	1,633.00
		Slip Clutch	1038345C	1038345CJD	1038345CKO	1038345CVB	506	1,912.00	1,816.00
RC6	6	Shear Pin	1038346	1038346JD	1038346KO	1038346VB	569	2,086.00	1,982.00
		Slip Clutch	1038346C	1038346CJD	1038346CKO	1038346CVB	580	2,272.00	2,158.00

* Painted colors to match ¹ Green, ² Orange and ³ Blue tractors.

** Five (5) packs **MUST** be five (5) of the same size and color model; pricing reflects 5% discount with rounding. Five packs not available on RC3.5 models.
Note: Add “A” to the end of the part number if not ordering in five (5) pack quantities.

† **NOTE:** All units are shipped with rear metal band and front rubber belt deflector shields. These are NON-RETURNABLE items.

ACCESSORIES

Part No.	Used On	Description	Shipping Wt. (lbs.)	Suggested List Price
1037925	RC3.5	Front and Rear Chain Shielding	28	\$ 339.00
1037926	RC4	Front and Rear Chain Shielding	31	361.00
1037927	RC5	Front and Rear Chain Shielding	36	392.00
1037928	RC6	Front and Rear Chain Shielding	45	422.00
1023325	All Models	TQH1 Category 1 Quick Hitch	79	364.00
1038335	All Models	Optional Bolt-On Skid Shoes	4	70.00

RC-Series cutters are available in the tractor colors as listed on this page.

“MATCH YOUR TRACTOR” TERMS & CONDITIONS

1. “Match Your Tractor” RC3.5, RC4, RC5 & RC6 models are built to order, requiring lead times that may vary.
2. “Match Your Tractor” orders are non-cancellable. Units and their accessories may not be returned.
3. Changes to existing orders must have the Dealer Service Supervisor’s approval.
4. Repair parts are not available in “Match Your Tractor” (including Woods orange units).
5. Woods reserves the right to limit quantities and to modify or cancel this offering at any time.

Prices and specifications subject to change without notice.
 Prices effective January 1, 2021. Supersedes all previous pricing.
 Woods reserves the right to limit quantities and apply surcharges at any time.

RC-SERIES SINGLE-SPINDLE ROTARY CUTTER

3.5-, 4-, 5- and 6-foot – RC42.20, RC48.20, RC60.20 & RC72.20

DEALER ASSEMBLED

FEATURES & SPECIFICATIONS:

Tractor PTO hp requirement: 15 – 40 PTO hp (RC42.20 & RC48.20); 20 – 50 PTO hp (RC60.20 & RC72.20)	Thrown Object Protection: † Rear steel band deflector and front rubber belt deflector – standard; Front and rear chain shielding – optional
Tractor PTO speed: 540 rpm	Cut: 1-inch diameter
Tractor 3-point hitch size: Cat 1 (quick-hitch ready)	Blade size: 1/2-inch x 3-inch
Tail Wheel: 4-inch x 16-inch laminated tire with 360° rotation	Gearbox hp rating: 50 hp 3-year gearbox warranty



WARNING: STANDARD FRONT RUBBER AND REAR STEEL BAND DEFLECTOR SHIELD OR OPTIONAL CHAIN SHIELDING must be used for all non-agricultural uses and in areas where possibility of thrown objects could be hazardous to persons or property.

See “Match Your Tractor” terms and conditions for ordering criteria below.

5% ADDITIONAL DISCOUNT ON FIVE (5) PACKS** AS DEFINED BELOW.

BASE UNIT									
Model No.	Width (ft.)	Drive	Woods® Orange Part No.	Green ¹ Part No.*	Orange ² Part No.*	Blue ³ Part No.*	Shipping Wt. (lbs.)	Suggested List Price Per Unit**	5 Pack List Price Per Unit**
RC42.20	3.5	Shear Pin	619543	619543JD	619543KO	619543VB	396	\$ 1,546.00	—
		Slip Clutch	619543C	619543JDC	619543KOC	619543VBC	408	1,729.00	—
RC48.20	4	Shear Pin	619544	619544JD	619544KO	619544VB	432	1,620.00	\$ 1,539.00
		Slip Clutch	619544C	619544JDC	619544KOC	619544VBC	444	1,808.00	1,718.00
RC60.20	5	Shear Pin	619545	619545JD	619545KO	619545VB	494	1,753.00	1,665.00
		Slip Clutch	619545C	619545JDC	619545KOC	619545VBC	506	1,950.00	1,853.00
RC72.20	6	Shear Pin	619546	619546JD	619546KO	619546VB	569	2,086.00	1,982.00
		Slip Clutch	619546C	619546JDC	619546KOC	619546VBC	580	2,272.00	2,158.00

* Painted colors to match ¹ Green, ² Orange and ³ Blue tractors.

** Five (5) packs **MUST** be five (5) of the same size and color model; pricing reflects 5% discount with rounding. Five packs not available on RC42.20 models. **Note:** Add “A” to the end of the part number if not ordering in five (5) pack quantities.

† **NOTE:** All units are shipped with rear metal band and front rubber belt deflector shields. These are NON-RETURNABLE items.

ACCESSORIES				
Part No.	Used On	Description	Shipping Wt. (lbs.)	Suggested List Price
1037925	RC42.20	Front and Rear Chain Shielding	28	\$ 339.00
1037926	RC48.20	Front and Rear Chain Shielding	31	361.00
1037927	RC60.20	Front and Rear Chain Shielding	36	392.00
1037928	RC72.20	Front and Rear Chain Shielding	45	422.00
1023325	All Models	TQH1 Category 1 Quick Hitch	79	364.00
1038335	All Models	Optional Bolt-On Skid Shoes	4	70.00

RC-Series cutters are available in the tractor colors as listed on this page.

“MATCH YOUR TRACTOR” TERMS & CONDITIONS

1. “Match Your Tractor” RC42.20, RC48.20, RC60.20 & RC72.20 models are built to order, requiring lead times that may vary.
2. “Match Your Tractor” orders are non-cancellable. Units and their accessories may not be returned.
3. Changes to existing orders must have the Dealer Service Supervisor’s approval.
4. Repair parts are not available in “Match Your Tractor” (including Woods orange units).
5. Woods reserves the right to limit quantities and to modify or cancel this offering at any time.

Prices and specifications subject to change without notice.
Prices effective May 17, 2021. Supersedes all previous pricing.
Woods reserves the right to limit quantities and apply surcharges at any time.

BRUSHBULL™ SINGLE-SPINDLE ROTARY CUTTER, STANDARD-DUTY

4-, 5- and 6-foot, 30 Series & 7-foot 40 Series –
BB48.30, BB60.30, BB72.30 & BB84.40

DEALER ASSEMBLED

FEATURES & SPECIFICATIONS:

Cat 1, 3-point hitch, 540 rpm
(BB48.30, BB60.30, BB72.30 Cat 1;
BB84.40 Cat 1 & 2)

Safety shielded Cat 3 slip-clutch driveline
(BB48.30, BB60.30, BB72.30);
Cat 4 slip clutch driveline (BB84.40)

Driveline holder

ASABE quick-hitch compatible

Greasable "Quick Change" blade pins **EXCLUSIVE FEATURE**

Factory filled gearboxes with
80-90W EP gear lube

Two 3-inch x 3-inch full
length structural tubes

Heavy-duty clevis hitch

Cut: 2 inches diameter

Blade size: 1/2-inch x 4-inch

Gearbox rating:

65 hp (BB48.30 & BB60.30)

75 hp (BB72.30),

90 hp (BB84.40)

6-year limited gearbox warranty



WARNING: SAFETY SHIELDING STANDARD EQUIPMENT. Rubber shielding or chain shielding must be used for all non-agricultural uses and in areas where possibility of thrown objects could be hazardous to persons or property.

See "Match Your Tractor" terms and conditions for ordering criteria below.

BASE UNIT

Model No.	Width (ft.)	Laminated Tail Wheel	Front/Rear Shielding	Woods® Orange Part No.	Green ¹ Part No.*	Orange ² Part No.*	Blue ³ Part No.*	Shipping Wt. (lbs.)	Suggested List Price
BB48.30	4	Single	Belt	610114	610114JD	610114KO	610114VB	590	\$ 2,315.00
			Chain	610114W	610114JDW	610114KOW	610114VBW	635	2,600.00
BB60.30	5	Single	Belt	610115	610115JD	610115KO	610115VB	672	2,636.00
			Chain	610115W	610115JDW	610115KOW	610115VBW	728	2,937.00
BB72.30	6	Single	Belt	610116	610116JD	610116KO	610116VB	811	3,188.00
			Chain	610116W	610116JDW	610116KOW	610116VBW	878	3,555.00
BB84.40	7	Single	Belt	610117	610117JD	610117KO	610117VB	1041	4,743.00
			Chain	610117W	610117JDW	610117KOW	610117VBW	1118	5,163.00
BB84.40D	7	Dual	Belt	610117D	610117DJD	610117DKO	610117DVB	1177	5,256.00
			Chain	610117DW	610117DJDW	610117DKOW	610117DVBW	1254	5,676.00

* Painted colors to match ¹ Green, ² Orange and ³ Blue tractors.

ACCESSORIES (Dealer-Installed)

Part No.	Used On	Description	Shipping Wt. (lbs.)	Suggested List Price
10521	All Models	Check Chain: for mowing height adjustment	17	\$ 116.00
1023325	All Models	TQH1 Category 1 Quick Hitch	79	364.00
610225	BB84.40	Dual Tail Wheel with 16" Laminated Tires – Replacement Kit	292	968.00
610139	BB48.30	Front and Rear Belt Shield Replacement Kit	20	147.00
610141	BB60.30	Front and Rear Belt Shield Replacement Kit	24	166.00
610143	BB72.30	Front and Rear Belt Shield Replacement Kit	27	182.00
610145	BB84.40	Front and Rear Belt Shield Replacement Kit	33	196.00
610138	BB48.30	Front and Rear Chain Shield Replacement Kit	65	432.00
610140	BB60.30	Front and Rear Chain Shield Replacement Kit	80	467.00
610142	BB72.30	Front and Rear Chain Shield Replacement Kit	94	549.00
610144	BB84.40	Front and Rear Chain Shield Replacement Kit	110	616.00

BrushBull standard-duty cutters are available in the tractor colors as listed on this page.

"MATCH YOUR TRACTOR" TERMS & CONDITIONS

1. Product availability in most cases will be 30 to 60 days and sometimes less.
2. "Match Your Tractor" BrushBulls are built to order, requiring lead times that may vary.
3. "Match Your Tractor" orders are non-cancellable. Units and their accessories may not be returned.
4. Changes to existing orders must have the Dealer Service Supervisor's approval.
5. Repair parts are only available in black.
6. Woods reserves the right to limit quantities and to modify or cancel this offering at any time.

Prices and specifications subject to change without notice.

Prices effective January 1, 2021. Supersedes all previous pricing.

Woods reserves the right to limit quantities and apply surcharges at any time.

BRUSHBULL™ SINGLE-SPINDLE ROTARY CUTTER, MEDIUM-DUTY

5-, 6- and 7-foot, 50 Series – BB60.50, BB72.50 & BB84.50

DEALER ASSEMBLED

FEATURES & SPECIFICATIONS:

3-point hitch, 540 rpm
(BB60.50, BB72.50 Cat 1 & 2;
BB84.50 Cat 2 & 3)

Safety shielded Cat 4 slip-clutch driveline

Driveline holder

ASABE quick-hitch compatible

Greasable "Quick Change" blade pins ◀ **EXCLUSIVE FEATURE**

Factory filled gearboxes with
80-90W EP gear lube

Two 3-inch x 3-inch full
length structural tubes

Heavy-duty clevis hitch

Cut: 3 inches diameter

Blade size: 1/2-inch x 4-inch

Gearbox rating: 150 hp

6-year limited gearbox warranty



WARNING: SAFETY SHIELDING STANDARD EQUIPMENT. Rubber shielding or chain shielding must be used for all non-agricultural uses and in areas where possibility of thrown objects could be hazardous to persons or property.

See "Match Your Tractor" terms and conditions for ordering criteria below.

BASE UNIT							
Model No.	Width (ft.)	Laminated Tail Wheel	Front/Rear Shielding	Woods® Orange Part No.	Green Part No.*	Shipping Wt. (lbs.)	Suggested List Price
BB60.50	5	Single	Belt	609855	609855JD	932	\$ 3,796.00
			Chain	609855W	609855JDW	1006	4,249.00
BB72.50	6	Single	Belt	609856	609856JD	1064	4,241.00
			Chain	609856W	609856JDW	1152	4,774.00
BB72.50D	6	Dual	Belt	609856D	609856DJD	1200	4,744.00
			Chain	609856DW	609856DJDW	1288	5,277.00
BB84.50	7	Single	Belt	609857	609857JD	1228	5,708.00
			Chain	609857W	609857JDW	1331	6,324.00
BB84.50D	7	Dual	Belt	609857D	609857DJD	1364	6,221.00
			Chain	609857DW	609857DJDW	1467	6,837.00

* Painted to match Green tractors.

ACCESSORIES (Dealer-Installed)				
Part No.	Used On	Description	Shipping Wt. (lbs.)	Suggested List Price
10521	All Models	Check Chain: for mowing height adjustment	17	\$ 116.00
1023325	BB60.50, BB72.50	TQH1 Category 1 Quick Hitch	79	364.00
610225	BB72.50, BB84.50	Dual Tail Wheel with 16" Laminated Tires – Replacement Kit	292	968.00
610124	BB60.50	Round Stump Jumper Kit	24	202.00
603839	BB72.50, BB84.50	Round Stump Jumper Kit	52	348.00
610147	BB60.50	Front and Rear Belt Shield Replacement Kit	30	175.00
610149	BB72.50	Front and Rear Belt Shield Replacement Kit	37	196.00
610151	BB84.50	Front and Rear Belt Shield Replacement Kit	41	207.00
610146	BB60.50	Front and Rear Chain Shield Replacement Kit	104	462.00
610148	BB72.50	Front and Rear Chain Shield Replacement Kit	124	533.00
610150	BB84.50	Front and Rear Chain Shield Replacement Kit	144	616.00

BrushBull standard-duty cutters are available in the tractor colors as listed on this page.

"MATCH YOUR TRACTOR" TERMS & CONDITIONS

1. Product availability in most cases will be 30 to 60 days and sometimes less.
2. "Match Your Tractor" BrushBulls are built to order, requiring lead times that may vary.
3. "Match Your Tractor" orders are non-cancellable. Units and their accessories may not be returned.
4. Changes to existing orders must have the Dealer Service Supervisor's approval.
5. Repair parts are only available in black.
6. Woods reserves the right to limit quantities and to modify or cancel this offering at any time.

Prices and specifications subject to change without notice.
Prices effective January 1, 2021. Supersedes all previous pricing.
Woods reserves the right to limit quantities and apply surcharges at any time.

BRUSHBULL™ SINGLE-SPINDLE ROTARY CUTTER, HEAVY-DUTY

5-, 6- and 7-foot, 60 Series - BB60.60, BB72.60 & BB84.60

DEALER ASSEMBLED

FEATURES & SPECIFICATIONS:

3-point hitch, 540 rpm
(BB60.60, BB72.60 Cat 1 & 2;
BB84.60 Cat 2 & 3)

Safety shielded Cat 5 slip-clutch driveline

Driveline holder

ASABE quick-hitch compatible

Greasable "Quick Change" blade pins ◀ **EXCLUSIVE FEATURE**

Factory filled gearboxes with
80-90W EP gear lube

Two 3-inch x 3-inch full
length structural tubes

Heavy-duty clevis hitch

Cut: 4 inches diameter

Blade size: 1/2-inch x 4-inch

Gearbox rating: 210 hp

6-year limited gearbox warranty



WARNING: STANDARD CHAIN SHIELDING must be used for all non-agricultural uses and in areas where possibility of thrown objects could be hazardous to persons or property.

BASE UNIT

Model No.	Width (ft.)	Laminated Tail Wheel	Front/Rear Shielding	Part No.	Shipping Wt. (lbs.)	Suggested List Price
BB60.60	5	Single	Chain	610135W	1082	\$ 6,059.00
BB72.60D	6	Dual	Chain	610136DW	1366	7,020.00
BB84.60D	7	Dual	Chain	610137DW	1568	9,407.00

ACCESSORIES (Dealer-Installed)

Part No.	Used On	Description	Shipping Wt. (lbs.)	Suggested List Price
10521	All Models	Check Chain: for mowing height adjustment	17	\$ 116.00
1023325	BB60.60, BB72.60	TQH1 Category 1 Quick Hitch	79	364.00
610225	BB72.60, BB84.60	Dual Tail Wheel with 16" Laminated Tires – Replacement Kit	292	968.00
610124	BB60.60	Round Stump Jumper Kit	24	202.00
603839	BB72.60, BB84.60	Round Stump Jumper Kit	52	348.00
610146	BB60.60	Front and Rear Chain Shield Replacement Kit	104	462.00
610148	BB72.60	Front and Rear Chain Shield Replacement Kit	124	533.00
610150	BB84.60	Front and Rear Chain Shield Replacement Kit	144	616.00

Prices and specifications subject to change without notice.
Prices effective January 1, 2021. Supersedes all previous pricing.
Woods reserves the right to limit quantities and apply surcharges at any time.

DITCH BANK ROTARY CUTTER, HYDRAULIC DRIVE

5- and 6-foot – DBH5.31 & DBH6.31

DEALER ASSEMBLED

FEATURES & SPECIFICATIONS:

30 Series: Recommended tractor hp = 60 – 150

Sloped top, 10-gauge deck

10-gauge side frame with 9.5-inch depth

40 hp maximum at cutting deck

Easy "Quick Change" blade pins ◀ **EXCLUSIVE FEATURE**

Cut: 2 inches diameter

Horizontal cutting reach: 30 inches maximum

6,000 lbs. minimum tractor weight required

2,500 3-point hitch minimum lift capacity required

Cat 4 input PTO shaft

Clevis hitch – Cat 2 & 3 (3-Point and Quick Hitch)

35-gallon hydraulic tank capacity

6-year gearbox warranty



WARNING: SAFETY CHAIN SHIELDING STANDARD EQUIPMENT. Must be used for all non-agricultural uses and in areas where the possibility of thrown objects could be hazardous to persons or property.

All hydraulics and deck assembled and leak tested at factory.

Dealer required preparations:

Dealer supplies counter weights (380 lbs. required, counter balance weight kit [1045138 below] or tractor suitcase style).

Dealer fills oil reservoir (35 gallons).

BASE UNIT				
Model No.	Part No.	Description	Shipping Wt. (lbs.)	Suggested List Price
DBH5.31	603674	1-3/8", 540 rpm PTO, side-mounted, 5' single spindle for Cat 2 & 3, 3-pt. hitch, chain shielding.	1750	\$ 13,620.00
DBH5.31Q	603674Q	1-3/8", 1000 rpm PTO, side-mounted, 5' single spindle for Cat 2 & 3, 3-pt. hitch, chain shielding.	1750	13,620.00
DBH6.31	603675	1-3/8", 540 rpm PTO, side-mounted, 6' single spindle for Cat 2 & 3, 3-pt. hitch, chain shielding.	2000	15,375.00
DBH6.31Q	603675Q	1-3/8", 1000 rpm PTO, side-mounted, 6' single spindle for Cat 2 & 3, 3-pt. hitch, chain shielding.	2000	15,375.00

ACCESSORIES				
Part No.	Description	Shipping Wt. (lbs.)	Suggested List Price	
1045320	Gage Wheel Assembly: for outside of deck for height control	70	\$ 396.00	
1043273	Tail Wheel Assembly: for center frame for 3-point height control	132	817.00	
1045138	Counter Balance Weight Kit (minimum weight needed)	385	764.00	
1045139	Counter Balance: for additional weight if needed	131	258.00	
1041830CRT	Dealer-Installed Oil Cooler: for extreme operating temperatures and conditions	40	1,756.00	
10521	Check Chain: for mowing height adjustment	17	116.00	

Prices and specifications subject to change without notice.
 Prices effective January 1, 2021. Supersedes all previous pricing.
 Woods reserves the right to limit quantities and apply surcharges at any time.

DUAL-SPINDLE ROTARY CUTTER

8-foot, 30 Series – DS8.30 & MDS8.30

DEALER ASSEMBLED

FEATURES & SPECIFICATIONS:

- 30 Series:** Recommended tractor hp =
35 – 75 hp (pull-type), 45 – 75 hp (mounted)
- Sloped top, 10-gauge deck
- 7-gauge side frame with 10-inch depth
- Safety shielded Cat 4 slip-clutch driveline
- Pivoting clevis hitch on pull-type
- Easy “Quick Change” blade pins ◀ **EXCLUSIVE FEATURE**
- Cut: 1.5 inches diameter
- Cutting height: 2 – 12 inches
- 100 hp splitter gearbox,
75 hp spindle gearboxes
- 6-year limited gearbox warranty



WARNING: SAFETY SHIELDING STANDARD EQUIPMENT. Rubber shielding or chain shielding must be used for all non-agricultural uses and in areas where possibility of thrown objects could be hazardous to persons or property. The maximum transport speed for towed and semi-mounted machines is 20 mph (32 KM/H). Regardless of the maximum speed capability of the towing tractor, do not exceed the implement's maximum transport speed.

**8' Dual-Spindle Cutter, Dealer-Assembled.
MUST CHOOSE FROM SECTIONS 1 & 2 FOR COMPLETE PULL-TYPE; SECTION 1 FOR MOUNTED.**

SECTION 1: BASE UNIT (MUST Choose One)

Model Selection	Part No.	Hitch	Front/Rear Shielding	Description	Shipping Wt. (lbs.)	Suggested List Price
DS8.30	96428	Pull-Type	Belt	540 rpm PTO, Cat 4 CV input drive, pivoting clevis tongue, cylinder and hose. Order choice of wheels below.	1367	\$ 8,103.00
DS8.30W	96429		Chain		1420	8,287.00
MDS8.30	96430	3-point Mounted	Belt	540 rpm PTO for Cat 1 & 2, 3-point clevis hitch (quick-hitch ready), Cat 4 input drive, two tail wheel arms and 16" laminated caster wheels.	1185	6,654.00
MDS8.30W	96431		Chain		1238	6,837.00

SECTION 2: WHEELS AND TIRES (Dealer-Installed – MUST Choose Part No. & Quantity)

Part No.	Used On	Description	Shipping Wt. Ea. (lbs.)	Suggested List Price Ea.
1017088	DS8.30	15" Wheel Rims for Pneumatic Tires (dealer supplies tires)	18	\$ 72.00
1017040	DS8.30	21" O.D. Solid Laminated Tire & Rim	70	317.00
1039976	DS8.30	Severe-Duty Ag 20PR Tire & Rim, 25.5 x 8-14, 5-Bolt	56	367.00
1039976F	DS8.30	Foam-Filled Severe-Duty Ag 20PR Tire & Rim, 25.5 x 8-14, 5-Bolt	108	426.00

SECTION 3: ACCESSORIES (Dealer-Installed)

Part No.	Used On	Description	Shipping Wt. (lbs.)	Suggested List Price
1040656	All Models	Front Rubber Belting and Rear Band Replacement Kit	36	\$ 249.00
1040713	All Models	Front and Rear Chain Shielding Replacement Kit	89	435.00
1042775	All Models	Bolt-On Skid Shoes	5	63.00

Prices and specifications subject to change without notice.
 Prices effective January 1, 2021. Supersedes all previous pricing.
 Woods reserves the right to limit quantities and apply surcharges at any time.

DUAL-SPINDLE ROTARY CUTTER

10-foot, 40 Series – DS10.40 & MDS10.40

DEALER ASSEMBLED

FEATURES & SPECIFICATIONS:

- 40 Series:** Recommended tractor hp =
40 – 120 hp (pull-type), 60 – 120 hp (mounted)
- Sloped top, 10-gauge deck
- 7-gauge side frame with 10-inch depth
- Cat 4 input PTO shaft
- Pivoting clevis hitch on pull-type
- Easy “Quick Change” blade pins ◀ **EXCLUSIVE FEATURE**
- Cut: 2 inches diameter
- 120 hp splitter gearbox,
90 hp spindle gearboxes
- 6-year limited gearbox warranty



WARNING: SAFETY SHIELDING STANDARD EQUIPMENT. Rubber shielding or chain shielding must be used for all non-agricultural uses and in areas where possibility of thrown objects could be hazardous to persons or property. The maximum transport speed for towed and semi-mounted machines is 20 mph (32 KM/H). Regardless of the maximum speed capability of the towing tractor, do not exceed the implement's maximum transport speed.

10' Dual-Spindle Cutter, Dealer-Assembled.
MUST CHOOSE FROM SECTIONS 1 & 2 FOR COMPLETE PULL-TYPE; SECTION 1 FOR MOUNTED.

SECTION 1: BASE UNIT (MUST Choose One)

Model Selection	Part No.	Hitch	Front/Rear Shielding	Description	Shipping Wt. (lbs.)	Suggested List Price
DS10.40	96432	Pull-Type	Belt	540 rpm PTO, Cat 4 CV input drive, pivoting clevis tongue, cylinder and hose. Order choice of wheels below.	1742	\$ 10,309.00
DS10.40W	96433		Chain		1813	10,549.00
MDS10.40	96434	3-point Mounted	Belt	540 rpm PTO for Cat 2 & 3, 3-point clevis hitch (quick-hitch ready), Cat 4 input drive, two tail wheel arms and 16" laminated caster wheels.	1601	9,179.00
MDS10.40W	96435		Chain		1672	9,420.00

SECTION 2: WHEELS AND TIRES (Dealer-Installed – MUST Choose Part No. & Quantity)

Part No.	Used On	Description	Shipping Wt. Ea. (lbs.)	Suggested List Price Ea.
1017088	DS10.40	15" Wheel Rims for Pneumatic Tires (dealer supplies tires)	18	\$ 72.00
1017040	DS10.40	21" O.D. Solid Laminated Tire & Rim	70	317.00
1039976	DS10.40	Severe-Duty Ag 20PR Tire & Rim, 25.5 x 8-14, 5-Bolt	56	367.00
1039976F	DS10.40	Foam-Filled Severe-Duty Ag 20PR Tire & Rim, 25.5 x 8-14, 5-Bolt	108	426.00

SECTION 3: ACCESSORIES (Dealer-Installed)

Part No.	Used On	Description	Shipping Wt. (lbs.)	Suggested List Price
1040705	All Models	Front Rubber Belting and Rear Band Replacement Kit	42	\$ 330.00
1040716	All Models	Front and Rear Chain Shielding Replacement Kit	113	570.00
1042775	All Models	Bolt-On Skid Shoes	5	63.00

Prices and specifications subject to change without notice.
 Prices effective January 1, 2021. Supersedes all previous pricing.
 Woods reserves the right to limit quantities and apply surcharges at any time.

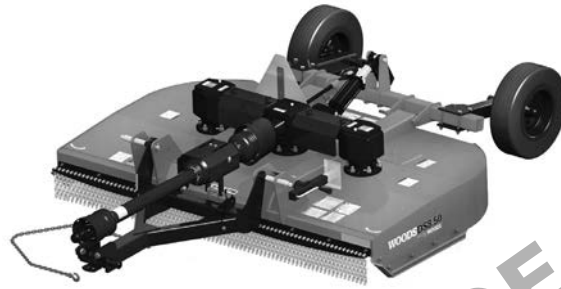
DUAL-SPINDLE ROTARY CUTTER

8-foot, 50 Series – DS8.50 & MDS8.50

DEALER ASSEMBLED

FEATURES & SPECIFICATIONS:

- 50 Series:** Recommended tractor hp =
40 – 160 hp (pull-type), 55 – 160 hp (mounted)
- Sloped top, 10-gauge deck
- 1/4-inch side frame with 13-inch depth
- Cat 5 input PTO shaft; Cat 6 CV
- Clevis hitch – Cat 2 & 3
(3-Point and Quick Hitch)
- Pivoting clevis hitch on pull-type
- Spring cushion axle
- Variable wheel spacing
- Easy “Quick Change” blade pins ◀ **EXCLUSIVE FEATURE**
- Cut: 3 inches diameter
- 205 hp splitter gearbox,
160 hp spindle gearboxes
- Bolt-on skid shoes included
- 6-year limited gearbox warranty



WARNING: CHAIN SAFETY SHIELDING STANDARD EQUIPMENT. Chain safety shielding must be used for all non-agricultural uses and in areas where the possibility of thrown objects could be hazardous to persons or property. The maximum transport speed for towed and semi-mounted machines is 20 mph (32 KM/H). Regardless of the maximum speed capability of the towing tractor, do not exceed the implement's maximum transport speed.

8' Dual-Spindle Cutter, Dealer-Assembled.
MUST CHOOSE FROM SECTIONS 1 & 2 FOR COMPLETE PULL-TYPE; SECTION 1 FOR MOUNTED.

SECTION 1: BASE UNIT (MUST Choose One)						
Model Selection	Part No.	Hitch	Front/Rear Shielding	Description	Shipping Wt. (lbs.)	Suggested List Price
DS8.50W	96437	Pull-Type	Chain	540 rpm PTO, Cat 6 CV input drive, pivoting clevis tongue, cylinder and hose. Order choice of wheels below.	2189	\$ 11,023.00
MDS8.50W	96441	3-point Mounted	Chain	540 rpm PTO for Cat 2 & 3, 3-point clevis hitch (quick-hitch ready), cylinder and hose, Cat 5 input drive, two tail wheel arms and 16" laminated caster wheels.	2164	9,153.00

SECTION 2: WHEELS AND TIRES (Dealer-Installed – MUST Choose Part No. & Quantity)					
Part No.	Used On	Description	Shipping Wt. Ea. (lbs.)	Suggested List Price Ea.	
1017088	DS8.50	15" Wheel Rims for Pneumatic Tires (dealer supplies tires)	18	\$ 72.00	
1017040	DS8.50	21" O.D. Solid Laminated Tire & Rim	70	317.00	
1039976	DS8.50	Severe-Duty Ag 20PR Tire & Rim, 25.5 x 8-14, 5-Bolt	56	367.00	
1039976F	DS8.50	Foam-Filled Severe-Duty Ag 20PR Tire & Rim, 25.5 x 8-14, 5-Bolt	108	426.00	

SECTION 3: ACCESSORIES (Dealer-Installed)				
Part No.	Used On	Description	Shipping Wt. (lbs.)	Suggested List Price
1042295	All Models	Front and Rear Chain Shielding Replacement Kit	132	\$ 446.00
1017310	DS8.50	Dual Hub Kit (Pull-type units only) – Add 2 Additional Wheels Per Kit	30	290.00

Prices and specifications subject to change without notice.
 Prices effective January 1, 2021. Supersedes all previous pricing.
 Woods reserves the right to limit quantities and apply surcharges at any time.

DUAL-SPINDLE ROTARY CUTTER

8-foot Offset, 50 Series – DSO8.50

DEALER ASSEMBLED

FEATURES & SPECIFICATIONS:

50 Series: Recommended tractor hp = 40 – 160 hp

Hydraulic offset:

21 inches right or 5 inches left of center

Sloped top, 10-gauge deck

1/4-inch side frame with 13-inch depth

Cat 5 input PTO shaft

Cat 2 or 3 semi-mount hitch

Spring cushion axle

Variable wheel spacing

Two 21-inch laminated tires

Easy "Quick Change" blade pins ◀ **EXCLUSIVE FEATURE**

Cut: 3 inches diameter

205 hp splitter gearbox,
160 hp spindle gearboxes

Bolt-on skid shoes included

6-year limited gearbox warranty

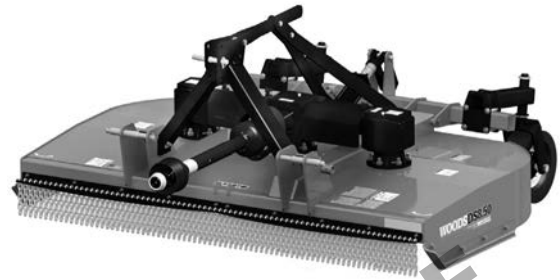


PHOTO FOR REPRESENTATION ONLY

WARNING: CHAIN SAFETY SHIELDING STANDARD EQUIPMENT. Chain safety shielding must be used for all non-agricultural uses and in areas where the possibility of thrown objects could be hazardous to persons or property. The maximum transport speed for towed and semi-mounted machines is 20 mph (32 KM/H). Regardless of the maximum speed capability of the towing tractor, do not exceed the implement's maximum transport speed.

8' Offset Dual-Spindle Cutter, Dealer-Assembled.

SECTION 1: BASE UNIT

Model Selection	Part No.	Hitch	Front/Rear Shielding	Description	Shipping Wt. (lbs.)	Suggested List Price
DSO8.50W	96445	Semi-Mounted	Chain	540 rpm PTO, Cat 5 input drive, cylinder and hose.	2441	\$ 11,662.00

SECTION 2: ACCESSORIES (Dealer-Installed)

Part No.	Description	Shipping Wt. (lbs.)	Suggested List Price
1042295	Front and Rear Chain Shielding Replacement Kit	132	\$ 446.00

Prices and specifications subject to change without notice.
Prices effective January 1, 2021. Supersedes all previous pricing.
Woods reserves the right to limit quantities and apply surcharges at any time.

DUAL-SPINDLE ROTARY CUTTER

10-foot, 50 Series – DS10.50 & MDS10.50

DEALER ASSEMBLED

FEATURES & SPECIFICATIONS:

50 Series: Recommended tractor hp =
50 – 205 hp (pull-type),
65 – 205 hp (mounted)

Sloped top, 10-gauge deck

1/4-inch side frame with 13-inch depth

Safety shielded Cat 6 CV input driveline:
pull-type units

Safety shielded Cat 5 heavy input driveline:
mounted units

Clevis hitch – Cat 2 & 3 (3-Point and Quick Hitch)

Pivoting clevis hitch on pull-type

Spring cushion axle

Variable wheel spacing

Easy "Quick Change" blade pins **EXCLUSIVE FEATURE**

Cutting width: 120 inches

Transport width: 127 inches

Cutting height: 2 to 13 inches

Cut: 3 inches in diameter

205 hp splitter gearbox,
160 hp blade spindle gearboxes

6-year limited gearbox warranty



WARNING: CHAIN SAFETY SHIELDING STANDARD EQUIPMENT. Chain safety shielding must be used for all non-agricultural uses and in areas where the possibility of thrown objects could be hazardous to persons or property. The maximum transport speed for towed and semi-mounted machines is 20 mph (32 KM/H). Regardless of the maximum speed capability of the towing tractor, do not exceed the implement's maximum transport speed.

**10' Dual-Spindle Cutter, Dealer-Assembled.
MUST CHOOSE FROM SECTIONS 1 & 2 FOR COMPLETE PULL-TYPE; SECTION 1 FOR MOUNTED.**

SECTION 1: BASE UNIT (MUST Choose One)

Model Selection	Part No.	Hitch	Front/Rear Shielding	Description	Shipping Wt. (lbs.)	Suggested List Price
DS10.50W	96449	Pull-Type	Chain	540 rpm PTO, Cat 6 CV input drive, pivoting clevis tongue, cylinder and hose. Order choice of wheels below.	2483	\$ 13,236.00
MDS10.50W	96453	3-point Mounted	Chain	540 rpm PTO for Cat 2 & 3, 3-point clevis hitch (quick-hitch ready), Cat 5 input drive, two tail wheel arms and 16" laminated caster wheels.	2468	12,645.00
MDS10.50QW	96455	3-point Mounted	Chain	1-3/8" 1000 rpm PTO for Cat 2 & 3, 3-point clevis hitch (quick-hitch ready), Cat 5 input drive, two tail wheel arms and 16" laminated caster wheels.	2389	12,645.00
MDS10.50QW	96463	3-point Mounted	Chain	1-3/4" 1000 rpm PTO for Cat 2 & 3, 3-point clevis hitch (quick-hitch ready), Cat 5 input drive, two tail wheel arms and 16" laminated caster wheels.	2386	12,645.00

SECTION 2: WHEELS AND TIRES (Dealer-Installed - MUST Choose Part No. & Quantity)

Part No.	Used On	Description	Shipping Wt. Ea. (lbs.)	Suggested List Price Ea.
1017088	DS10.50	15" Wheel Rims for Pneumatic Tires (dealer supplies tires)	18	\$ 72.00
1017040	DS10.50	21" O.D. Solid Laminated Tire & Rim	70	317.00
1017030	DS10.50	29 x 9 x 15 Used Aircraft Tire & Rim	75	344.00
1017030F	DS10.50	29" O.D. Foam-Filled Used Aircraft Tire w/Wheel	156	466.00
1039976	DS10.50	Severe-Duty Ag 20PR Tire & Rim, 25.5 x 8-14, 5-Bolt	56	367.00
1039976F	DS10.50	Foam-Filled Severe-Duty Ag 20PR Tire & Rim, 25.5 x 8-14, 5-Bolt	108	426.00

SECTION 3: ACCESSORIES (Dealer-Installed)

Part No.	Used On	Description	Shipping Wt. (lbs.)	Suggested List Price
1042260	All Models	Front and Rear Chain Shielding Replacement Kit	165	\$ 601.00
1017310	DS10.50	Dual Hub Kit (Pull-type units only) – Add 2 Additional Wheels Per Kit	30	290.00

Prices and specifications subject to change without notice.
Prices effective January 1, 2021. Supersedes all previous pricing.
Woods reserves the right to limit quantities and apply surcharges at any time.

DUAL-SPINDLE ROTARY CUTTER

10-foot Offset, 50 Series – DSO10.50

DEALER ASSEMBLED

FEATURES & SPECIFICATIONS:

50 Series: Recommended tractor hp = 50 – 205 hp

Hydraulic offset:

27 inches right or 5 inches left of center

Sloped top, 10-gauge deck

1/4-inch side frame with 13-inch depth

Safety shielded Cat 5 heavy input driveline

Cat 2 or 3 semi-mount hitch

Spring cushion axle

Variable wheel spacing

Two 21-inch laminated tires

Easy "Quick Change" blade pins ◀ **EXCLUSIVE FEATURE**

Cutting width: 120 inches

Transport width: 127 inches

Cutting height: 2 to 13 inches

Cut: 3 inches in diameter

205 hp splitter gearbox,
160 hp blade spindle gearboxes

6-year limited gearbox warranty



WARNING: CHAIN SAFETY SHIELDING STANDARD EQUIPMENT. Chain safety shielding must be used for all non-agricultural uses and in areas where the possibility of thrown objects could be hazardous to persons or property. The maximum transport speed for towed and semi-mounted machines is 20 mph (32 KM/H). Regardless of the maximum speed capability of the towing tractor, do not exceed the implement's maximum transport speed.

10' Offset Dual-Spindle Cutter, Dealer-Assembled.

SECTION 1: BASE UNIT						
Model Selection	Part No.	Hitch	Front/Rear Shielding	Description	Shipping Wt. (lbs.)	Suggested List Price
DSO10.50W	96457	Semi-Mounted	Chain	540 rpm PTO, Cat 5 input drive, cylinder and hose.	2725	\$ 13,876.00

SECTION 2: ACCESSORIES (Dealer-Installed)				
Part No.	Description	Shipping Wt. (lbs.)	Suggested List Price	
1042260	Front and Rear Chain Shielding Replacement Kit	165	\$ 601.00	

Prices and specifications subject to change without notice.
 Prices effective January 1, 2021. Supersedes all previous pricing.
 Woods reserves the right to limit quantities and apply surcharges at any time.

BATWING® DUAL-WING ROTARY CUTTER

12-foot, For Compact/Utility Tractors – BW12

FACTORY ASSEMBLED

FEATURES & SPECIFICATIONS:

Recommended tractor hp: 35 – 75 hp	Cut: 1.5 inches diameter
High-strength 12-gauge deck	160 hp splitter gearbox, 75 hp spindle gearboxes
Cat 4 CV PTO drive	6-year limited gearbox warranty
Cat 3 wing drives	Not for commercial use
540 rpm CV drive only	
Swivel clevis hitch	



WARNING: CHAIN SAFETY SHIELDING STANDARD EQUIPMENT. Chain safety shielding must be used for all non-agricultural uses and in areas where the possibility of thrown objects could be hazardous to persons or property. The maximum transport speed for towed and semi-mounted machines is 20 mph (32 KM/H). Regardless of the maximum speed capability of the towing tractor, do not exceed the implement's maximum transport speed.

**12' Dual-Wing Batwing Cutter, Factory-Assembled (less wing wheels).
Base Unit includes solid clevis tongue, wing and lift cylinders, hoses, stroke control kit.
MUST CHOOSE FROM SECTIONS 1 & 2 FOR A COMPLETE MACHINE.**

SECTION 1: BASE UNIT (MUST Choose One)

Model Selection	Part No.	Color	Description	Tires Req'd	Shipping Wt. (lbs.)	Suggested List Price
BW12W	1043600	Woods Burnt Orange	1-3/8" 540 RPM CV Drive, Single Row Chain Shielding, Single Spring on Center Deck Wheel Yoke	4	2171	\$ 14,368.00
BW12W	1043600JD	Green	1-3/8" 540 RPM CV Drive, Single Row Chain Shielding, Single Spring on Center Deck Wheel Yoke	4	2171	14,368.00

SECTION 2: WHEELS AND TIRES (Dealer-Installed - MUST Choose Part No. & Quantity)

Part No.	Description	Shipping Wt. Ea. (lbs.)	Suggested List Price Ea.
1017040	21" O.D. Solid Laminated Tire & Rim	70	\$ 317.00
1039976	Severe-Duty Ag 20PR Tire & Rim, 25.5 x 8-14, 5-Bolt	56	367.00
1039976F	Foam-Filled Severe-Duty Ag 20PR Tire & Rim, 25.5 x 8-14, 5-Bolt	108	426.00

SECTION 3: OPTIONS (Dealer-Installed)

Part No.	Description	Shipping Wt. (lbs.)	Suggested List Price
1038933	Category 1 (1" Dia. Pin) Hitch	10	\$ 91.00

Model BW12 is available in the tractor colors as listed above.

"MATCH YOUR TRACTOR" TERMS & CONDITIONS

1. Product availability in most cases will be 30 to 60 days and sometimes less.
2. "Match Your Tractor" BW12s are built to order, requiring lead times that may vary.
3. "Match Your Tractor" orders are non-cancellable. Units and their accessories may not be returned.
4. Changes to existing orders must have the Dealer Service Supervisor's approval.
5. Repair parts are only available in Woods orange and all chain shield brackets are black (including Woods orange units).
6. Woods reserves the right to limit quantities and to modify or cancel this offering at any time.

**Prices and specifications subject to change without notice.
Prices effective January 1, 2021.** Supersedes all previous pricing.
Woods reserves the right to limit quantities and apply surcharges at any time.

BATWING® SINGLE-WING ROTARY CUTTER

10.5-foot, Standard-Duty – BW10.50

FACTORY ASSEMBLED

FEATURES & SPECIFICATIONS:

Recommended tractor hp: 45 – 200 hp
 Sloped top, 10-gauge deck
 Cat 6 CV PTO drive
 Cat 4 wing drive
 Clevis hitch

Cut: 2.5 inches diameter
 210 hp splitter gearbox,
 200 hp spindle gearboxes
 6-year limited gearbox warranty
 (includes seals)



WARNING: CHAIN SAFETY SHIELDING STANDARD EQUIPMENT. Chain safety shielding must be used for all non-agricultural uses and in areas where the possibility of thrown objects could be hazardous to persons or property. The maximum transport speed for towed and semi-mounted machines is 20 mph (32 KM/H). Regardless of the maximum speed capability of the towing tractor, do not exceed the implement's maximum transport speed.

**10.5' Single Right Wing Batwing Cutter, Factory-Assembled (less wing wheels).
 Base Unit includes swivel clevis tongue, wing and lift cylinders, hoses, stroke control kit.
 MUST CHOOSE FROM SECTIONS 1 & 2 FOR A COMPLETE MACHINE.**

SECTION 1: BASE UNIT (MUST Choose One)

Model Selection	Part No.	PTO	Chain Shielding	Wheel Yoke Suspension	Tires Req'd	Shipping Wt. (lbs.)	Suggested List Price
BW10.50W	1045753	1-3/8" 540 RPM CV Drive	Single Row	Single Spring on Center Deck Wheel Yoke	3	3775	\$ 18,909.00
BW10.50QW	1045754	1-3/8" 1000 RPM CV Drive	Single Row	Single Spring on Center Deck Wheel Yoke	3	3774	18,909.00

SECTION 2: WHEELS AND TIRES (Dealer-Installed – MUST Choose Part No. & Quantity)

Part No.	Description	Shipping Wt. Ea. (lbs.)	Suggested List Price Ea.
1017088	15" Wheel Rims for Pneumatic Tires (dealer supplies tires)	18	\$ 72.00
1017040	21" O.D. Solid Laminated Tire & Rim	70	317.00
1017030	29 x 9 x 15 Used Aircraft Tire & Rim	75	344.00
1017030F	29" O.D. Foam-Filled Used Aircraft Tire w/Wheel	156	466.00
1039976	Severe-Duty Ag 20PR Tire & Rim, 25.5 x 8-14, 5-Bolt	56	367.00
1039976F	Foam-Filled Severe-Duty Ag 20PR Tire & Rim, 25.5 x 8-14, 5-Bolt	108	426.00

SECTION 3: OPTIONS (Dealer-Installed)

Part No.	Description	Shipping Wt. (lbs.)	Suggested List Price
1045841	Front Double Row Chain Shield Kit	83	\$ 382.00
1045842	Rear Double Row Chain Shield Kit	60	294.00
1017310	Dual Hub Kit (for center section) – Add 2 Additional Wheels Per Kit	30	290.00
1028801	Dual Hub Kit (for wing section) – Add 1 Additional Wheel Per Kit	16	182.00
1045853	Cable Winch Kit	72	553.00
1045808	BW LED Light Kit	7	373.00
1045817	Pintle Ring Tongue Kit	35	589.00
1046047	Category 4 Clevis	20	199.00

Prices and specifications subject to change without notice.
 Prices effective January 1, 2021. Supersedes all previous pricing.
 Woods reserves the right to limit quantities and apply surcharges at any time.

BATWING® DUAL-WING ROTARY CUTTER

15-foot, Standard-Duty – BW15.50

FACTORY ASSEMBLED

FEATURES & SPECIFICATIONS:

Recommended tractor hp: 45 – 200 hp
Sloped top, 10-gauge deck
Cat 6 CV PTO drive
Cat 4 wing drives
Clevis hitch

Cut: 2.5 inches diameter
210 hp splitter gearbox,
200 hp spindle gearboxes
6-year limited gearbox warranty
(includes seals)



WARNING: CHAIN SAFETY SHIELDING STANDARD EQUIPMENT. Chain safety shielding must be used for all non-agricultural uses and in areas where the possibility of thrown objects could be hazardous to persons or property. The maximum transport speed for towed and semi-mounted machines is 20 mph (32 KM/H). Regardless of the maximum speed capability of the towing tractor, do not exceed the implement's maximum transport speed.

**15' Dual-Wing Batwing Cutter, Factory-Assembled (less wing wheels).
Base Unit includes swivel clevis tongue, wing and lift cylinders, hoses, stroke control kit.
MUST CHOOSE FROM SECTIONS 1 & 2 FOR A COMPLETE MACHINE.**

SECTION 1: BASE UNIT (MUST Choose One)

Model Selection	Part No.	PTO	Chain Shielding	Wheel Yoke Suspension	Tires Req'd	Shipping Wt. (lbs.)	Suggested List Price
BW15.50W	1045750	1-3/8" 540 RPM CV Drive	Single Row	Single Spring on Center Deck Wheel Yoke	4	4270	\$ 19,046.00
BW15.50QW	1045751	1-3/8" 1000 RPM CV Drive	Single Row	Single Spring on Center Deck Wheel Yoke	4	4169	19,046.00
BW15.50QW	1045752	1-3/4" 1000 RPM CV Drive	Single Row	Single Spring on Center Deck Wheel Yoke	4	4169	19,210.00

SECTION 2: WHEELS AND TIRES (Dealer-Installed – MUST Choose Part No. & Quantity)

Part No.	Description	Shipping Wt. Ea. (lbs.)	Suggested List Price Ea.
1017088	15" Wheel Rims for Pneumatic Tires (dealer supplies tires)	18	\$ 72.00
1017040	21" O.D. Solid Laminated Tire & Rim	70	317.00
1017030	29 x 9 x 15 Used Aircraft Tire & Rim	75	344.00
1017030F	29" O.D. Foam-Filled Used Aircraft Tire w/Wheel	156	466.00
1039976	Severe-Duty Ag 20PR Tire & Rim, 25.5 x 8-14, 5-Bolt	56	367.00
1039976F	Foam-Filled Severe-Duty Ag 20PR Tire & Rim, 25.5 x 8-14, 5-Bolt	108	426.00

SECTION 3: OPTIONS (Dealer-Installed)

Part No.	Description	Shipping Wt. (lbs.)	Suggested List Price
1045839	Front Double Row Chain Shield Kit	129	\$ 528.00
1045840	Rear Double Row Chain Shield Kit	81	356.00
1017310	Dual Hub Kit (1 kit for center; 1 kit for wings) – Add 2 Additional Wheels Per Kit	30	290.00
1045853	Cable Winch Kit	72	553.00
1045808	BW LED Light Kit	7	373.00
1003696	T-Hose Kit	3	76.00
1045817	Pintle Ring Tongue Kit	35	589.00
1046047	Category 4 Clevis	20	199.00

Prices and specifications subject to change without notice.
Prices effective January 1, 2021. Supersedes all previous pricing.
Woods reserves the right to limit quantities and apply surcharges at any time.

BATWING® SINGLE-WING ROTARY CUTTER

10.5-foot, Heavy-Duty – BW10.60

FACTORY ASSEMBLED: NO DECK RINGS

FEATURES & SPECIFICATIONS:

Recommended tractor hp: 55 – 275 hp
Sloped top, 7-gauge deck
Cat 6 CV PTO drive
Cat 4 wing drive
Swivel clevis hitch

Cut: 4 inches diameter
275 hp splitter gearbox,
225 hp spindle gearboxes
6-year limited gearbox warranty



WARNING: CHAIN SAFETY SHIELDING STANDARD EQUIPMENT. Chain safety shielding must be used for all non-agricultural uses and in areas where the possibility of thrown objects could be hazardous to persons or property. The maximum transport speed for towed and semi-mounted machines is 20 mph (32 KM/H). Regardless of the maximum speed capability of the towing tractor, do not exceed the implement's maximum transport speed.

**10.5' Single-Wing Batwing Cutter, Factory-Assembled (less wing wheels).
Base Unit includes swivel clevis tongue, wing and lift cylinders, hoses, stroke control kit.
MUST CHOOSE FROM SECTIONS 1 & 2 FOR A COMPLETE MACHINE.**

SECTION 1: BASE UNIT (MUST Choose One)

Model Selection	Part No.	PTO	Chain Shielding	Wheel Yoke Suspension	Tires Req'd	Shipping Wt. (lbs.)	Suggested List Price
BW10.60W	1045768	1-3/8" 540 RPM CV Drive	Single Row	Single Spring on Center Deck Wheel Yoke	3	4294	\$ 21,048.00
	1045769			Spring-Loaded @ Each Axle Arm	3	4403	22,343.00
BW10.60QW	1045770	1-3/8" 1000 RPM CV Drive	Single Row	Single Spring on Center Deck Wheel Yoke	3	4294	21,048.00
	1045771			Spring-Loaded @ Each Axle Arm	3	4403	22,343.00

SECTION 2: WHEELS AND TIRES (Dealer-Installed – MUST Choose Part No. & Quantity)

Part No.	Description	Shipping Wt. Ea. (lbs.)	Suggested List Price Ea.
1017088	15" Wheel Rims for Pneumatic Tires (dealer supplies tires)	18	\$ 72.00
1017040	21" O.D. Solid Laminated Tire & Rim	70	317.00
1017030	29 x 9 x 15 Used Aircraft Tire & Rim	75	344.00
1017030F	29" O.D. Foam-Filled Used Aircraft Tire w/Wheel	156	466.00
1039976	Severe-Duty Ag 20PR Tire & Rim, 25.5 x 8-14, 5-Bolt	56	367.00
1039976F	Foam-Filled Severe-Duty Ag 20PR Tire & Rim, 25.5 x 8-14, 5-Bolt	108	426.00

SECTION 3: OPTIONS (Dealer-Installed)

Part No.	Description	Shipping Wt. (lbs.)	Suggested List Price
1045841	Front Double Row Chain Shield Kit	83	\$ 382.00
1045842	Rear Double Row Chain Shield Kit	60	294.00
1017310	Dual Hub Kit (for center section) – Add 2 Additional Wheels Per Kit	30	290.00
1028801	Dual Hub Kit (for wing section) – Add 1 Additional Wheel Per Kit	16	182.00
1045853	Cable Winch Kit	72	553.00
1045821	Shredding Kit	113	1,215.00
1045808	BW LED Light Kit	7	373.00
1045817	Pintle Ring Tongue Kit	35	589.00
1045819	Walking Tandem Kit (for center section, must be ordered with spring-loaded base unit and dual hub kit for center section; serial number 10007668087004 and older)	173	1,070.00
1046083	Walking Tandem Kit (for wing section, must be ordered with spring-loaded base unit and dual hub kit for wing section; serial number 10007668087004 and older)	87	499.00
614292	Walking Tandem Kit (for center section, must be ordered with spring-loaded base unit and dual hub kit for center section; serial number newer than 10007668087004)	173	997.00
614293	Walking Tandem Kit (for wing section, must be ordered with spring-loaded base unit and dual hub kit for wing section; serial number newer than 10007668087004)	87	499.00
1046047	Category 4 Clevis	20	199.00

Prices and specifications subject to change without notice.
Prices effective January 1, 2021. Supersedes all previous pricing.
Woods reserves the right to limit quantities and apply surcharges at any time.

BATWING® SINGLE-WING ROTARY CUTTER

10.5-foot, Heavy-Duty – BW10.60

FACTORY ASSEMBLED: WITH DECK RINGS

FEATURES & SPECIFICATIONS:

- | | |
|-------------------------------------|--|
| Recommended tractor hp: 55 – 275 hp | Cut: 4 inches diameter |
| Sloped top, 7-gauge deck | 275 hp splitter gearbox,
225 hp spindle gearboxes |
| Cat 6 CV PTO drive | 6-year limited gearbox warranty |
| Cat 4 wing drive | |
| Swivel clevis hitch | |



WARNING: CHAIN SAFETY SHIELDING STANDARD EQUIPMENT. Chain safety shielding must be used for all non-agricultural uses and in areas where the possibility of thrown objects could be hazardous to persons or property. The maximum transport speed for towed and semi-mounted machines is 20 mph (32 KM/H). Regardless of the maximum speed capability of the towing tractor, do not exceed the implement's maximum transport speed.

**10.5' Single-Wing Batwing Cutter, Factory-Assembled (less wing wheels).
Base Unit includes swivel clevis tongue, wing and lift cylinders, hoses, stroke control kit, deck rings.
MUST CHOOSE FROM SECTIONS 1 & 2 FOR A COMPLETE MACHINE.**

SECTION 1: BASE UNIT (MUST Choose One)

Model Selection	Part No.	PTO	Chain Shielding	Wheel Yoke Suspension	Tires Req'd	Shipping Wt. (lbs.)	Suggested List Price
BW10.60RW	1045774	1-3/8" 540 RPM CV Drive	Single Row	Single Spring on Center Deck Wheel Yoke	3	4357	\$ 21,666.00
	1045775			Spring-Loaded @ Each Axle Arm	3	4466	22,962.00
BW10.60QRW	1045776	1-3/8" 1000 RPM CV Drive	Single Row	Single Spring on Center Deck Wheel Yoke	3	4357	21,666.00
	1045777			Spring-Loaded @ Each Axle Arm	3	4466	22,962.00

SECTION 2: WHEELS AND TIRES (Dealer-Installed – MUST Choose Part No. & Quantity)

Part No.	Description	Shipping Wt. Ea. (lbs.)	Suggested List Price Ea.
1017088	15" Wheel Rims for Pneumatic Tires (dealer supplies tires)	18	\$ 72.00
1017040	21" O.D. Solid Laminated Tire & Rim	70	317.00
1017030	29 x 9 x 15 Used Aircraft Tire & Rim	75	344.00
1017030F	29" O.D. Foam-Filled Used Aircraft Tire w/Wheel	156	466.00
1039976	Severe-Duty Ag 20PR Tire & Rim, 25.5 x 8-14, 5-Bolt	56	367.00
1039976F	Foam-Filled Severe-Duty Ag 20PR Tire & Rim, 25.5 x 8-14, 5-Bolt	108	426.00

SECTION 3: OPTIONS (Dealer-Installed)

Part No.	Description	Shipping Wt. (lbs.)	Suggested List Price
1045841	Front Double Row Chain Shield Kit	83	\$ 382.00
1045842	Rear Double Row Chain Shield Kit	60	294.00
1017310	Dual Hub Kit (for center section) – Add 2 Additional Wheels Per Kit	30	290.00
1028801	Dual Hub Kit (for wing section) – Add 1 Additional Wheel Per Kit	16	182.00
1045853	Cable Winch Kit	72	553.00
1045821	Shredding Kit	113	1,215.00
1045808	BW LED Light Kit	7	373.00
1045817	Pintle Ring Tongue Kit	35	589.00
1045819	Walking Tandem Kit (for center section, must be ordered with spring-loaded base unit and dual hub kit for center section; serial number 10007668087004 and older)	173	1,070.00
1046083	Walking Tandem Kit (for wing section, must be ordered with spring-loaded base unit and dual hub kit for wing section; serial number 10007668087004 and older)	87	499.00
614292	Walking Tandem Kit (for center section, must be ordered with spring-loaded base unit and dual hub kit for center section; serial number newer than 10007668087004)	173	997.00
614293	Walking Tandem Kit (for wing section, must be ordered with spring-loaded base unit and dual hub kit for wing section; serial number newer than 10007668087004)	87	499.00
1046047	Category 4 Clevis	20	199.00

Prices and specifications subject to change without notice.
Prices effective January 1, 2021. Supersedes all previous pricing.
Woods reserves the right to limit quantities and apply surcharges at any time.

BATWING® DUAL-WING ROTARY CUTTER

15-foot, Heavy-Duty – BW15.60

FACTORY ASSEMBLED: NO DECK RINGS

FEATURES & SPECIFICATIONS:

Recommended tractor hp: 55 – 275 hp
Sloped top, 7-gauge deck
Cat 6 CV PTO drive
Cat 4 wing drives
Swivel clevis hitch

Cut: 4 inches diameter
275 hp splitter gearbox,
225 hp spindle gearboxes
6-year limited gearbox warranty



WARNING: CHAIN SAFETY SHIELDING STANDARD EQUIPMENT. Chain safety shielding must be used for all non-agricultural uses and in areas where the possibility of thrown objects could be hazardous to persons or property. The maximum transport speed for towed and semi-mounted machines is 20 mph (32 KM/H). Regardless of the maximum speed capability of the towing tractor, do not exceed the implement's maximum transport speed.

**15' Dual-Wing Batwing Cutter, Factory-Assembled (less wing wheels).
Base Unit includes swivel clevis tongue, wing and lift cylinders, hoses, stroke control kit.
MUST CHOOSE FROM SECTIONS 1 & 2 FOR A COMPLETE MACHINE.**

SECTION 1: BASE UNIT (MUST Choose One)

Model Selection	Part No.	PTO	Chain Shielding	Wheel Yoke Suspension	Tires Req'd	Shipping Wt. (lbs.)	Suggested List Price
BW15.60W	1045756	1-3/8" 540 RPM CV Drive	Single Row	Single Spring on Center Deck Wheel Yoke	4	4454	\$ 23,203.00
	1045757			Spring-Loaded @ Each Axle Arm	4	4609	24,534.00
BW15.60QW	1045758	1-3/8" 1000 RPM CV Drive	Single Row	Single Spring on Center Deck Wheel Yoke	4	4454	23,203.00
	1045759			Spring-Loaded @ Each Axle Arm	4	4609	24,534.00
BW15.60QW	1045760	1-3/4" 1000 RPM CV Drive	Single Row	Single Spring on Center Deck Wheel Yoke	4	4454	23,366.00
	1045761			Spring-Loaded @ Each Axle Arm	4	4609	24,698.00

SECTION 2: WHEELS AND TIRES (Dealer-Installed – MUST Choose Part No. & Quantity)

Part No.	Description	Shipping Wt. Ea. (lbs.)	Suggested List Price Ea.
1017088	15" Wheel Rims for Pneumatic Tires (dealer supplies tires)	18	\$ 72.00
1017040	21" O.D. Solid Laminated Tire & Rim	70	317.00
1017030	29 x 9 x 15 Used Aircraft Tire & Rim	75	344.00
1017030F	29" O.D. Foam-Filled Used Aircraft Tire w/Wheel	156	466.00
1039976	Severe-Duty Ag 20PR Tire & Rim, 25.5 x 8-14, 5-Bolt	56	367.00
1039976F	Foam-Filled Severe-Duty Ag 20PR Tire & Rim, 25.5 x 8-14, 5-Bolt	108	426.00

SECTION 3: OPTIONS (Dealer-Installed)

Part No.	Description	Shipping Wt. (lbs.)	Suggested List Price
1045839	Front Double Row Chain Shield Kit	129	\$ 528.00
1045840	Rear Double Row Chain Shield Kit	81	356.00
1017310	Dual Hub Kit (1 kit for center; 1 kit for wings) – Add 2 Additional Wheels Per Kit	30	290.00
1045853	Cable Winch Kit	72	553.00
1045821	Shredding Kit	113	1,215.00
1045808	BW LED Light Kit	7	373.00
1003696	T-Hose Kit	3	76.00
1045817	Pintle Ring Tongue Kit	35	589.00
1045819	Walking Tandem Kit (1 kit for center; 1 kit for wings, must be ordered with spring-loaded base unit and dual hub kit for center & wing section; serial number 10007668087004 and older)	173	1,070.00
614292	Walking Tandem Kit (1 kit for center; 1 kit for wings, must be ordered with spring-loaded base unit and dual hub kit for center & wing section; serial number newer than 10007668087004)	173	997.00
1046047	Category 4 Clevis	20	199.00

Prices and specifications subject to change without notice.
Prices effective January 1, 2021. Supersedes all previous pricing.
Woods reserves the right to limit quantities and apply surcharges at any time.

BATWING® DUAL-WING ROTARY CUTTER

15-foot, Heavy-Duty – BW15.60

FACTORY ASSEMBLED: WITH DECK RINGS

FEATURES & SPECIFICATIONS:

Recommended tractor hp: 55 – 275 hp
Sloped top, 7-gauge deck
Cat 6 CV PTO drive
Cat 4 wing drives
Swivel clevis hitch

Cut: 4 inches diameter
275 hp splitter gearbox,
225 hp spindle gearboxes
6-year limited gearbox warranty



WARNING: CHAIN SAFETY SHIELDING STANDARD EQUIPMENT. Chain safety shielding must be used for all non-agricultural uses and in areas where the possibility of thrown objects could be hazardous to persons or property. The maximum transport speed for towed and semi-mounted machines is 20 mph (32 KM/H). Regardless of the maximum speed capability of the towing tractor, do not exceed the implement's maximum transport speed.

**15' Dual-Wing Batwing Cutter, Factory-Assembled (less wing wheels).
Base Unit includes swivel clevis tongue, wing and lift cylinders, hoses, stroke control kit, deck rings.
MUST CHOOSE FROM SECTIONS 1 & 2 FOR A COMPLETE MACHINE.**

SECTION 1: BASE UNIT (MUST Choose One)

Model Selection	Part No.	PTO	Chain Shielding	Wheel Yoke Suspension	Tires Req'd	Shipping Wt. (lbs.)	Suggested List Price
BW15.60RW	1045762	1-3/8" 540 RPM CV Drive	Single Row	Single Spring on Center Deck Wheel Yoke	4	4517	\$ 24,093.00
	1045763			Spring-Loaded @ Each Axle Arm	4	4672	25,426.00
BW15.60QRW	1045764	1-3/8" 1000 RPM CV Drive	Single Row	Single Spring on Center Deck Wheel Yoke	4	4517	24,093.00
	1045765			Spring-Loaded @ Each Axle Arm	4	4672	25,426.00
BW15.60QRW	1045767	1-3/4" 1000 RPM CV Drive	Single Row	Spring-Loaded @ Each Axle Arm	4	4672	25,590.00

SECTION 2: WHEELS AND TIRES (Dealer-Installed – MUST Choose Part No. & Quantity)

Part No.	Description	Shipping Wt. Ea. (lbs.)	Suggested List Price Ea.
1017088	15" Wheel Rims for Pneumatic Tires (dealer supplies tires)	18	\$ 72.00
1017040	21" O.D. Solid Laminated Tire & Rim	70	317.00
1017030	29 x 9 x 15 Used Aircraft Tire & Rim	75	344.00
1017030F	29" O.D. Foam-Filled Used Aircraft Tire w/Wheel	156	466.00
1039976	Severe-Duty Ag 20PR Tire & Rim, 25.5 x 8-14, 5-Bolt	56	367.00
1039976F	Foam-Filled Severe-Duty Ag 20PR Tire & Rim, 25.5 x 8-14, 5-Bolt	108	426.00

SECTION 3: OPTIONS (Dealer-Installed)

Part No.	Description	Shipping Wt. (lbs.)	Suggested List Price
1045839	Front Double Row Chain Shield Kit	129	\$ 528.00
1045840	Rear Double Row Chain Shield Kit	81	356.00
1017310	Dual Hub Kit (1 kit for center; 1 kit for wings) – Add 2 Additional Wheels Per Kit	30	290.00
1045853	Cable Winch Kit	72	553.00
1045821	Shredding Kit	113	1,215.00
1045808	BW LED Light Kit	7	373.00
1003696	T-Hose Kit	3	76.00
1045817	Pintle Ring Tongue Kit	35	589.00
1045819	Walking Tandem Kit (1 kit for center section; 1 kit for wings, must be ordered with spring-loaded base unit and dual hub kit for center & wing section; serial number 10007668087004 and older)	173	1,070.00
614292	Walking Tandem Kit (1 kit for center section; 1 kit for wings, must be ordered with spring-loaded base unit and dual hub kit for center & wing section; serial number newer than 10007668087004)	173	997.00
1046047	Category 4 Clevis	20	199.00

Prices and specifications subject to change without notice.
Prices effective January 1, 2021. Supersedes all previous pricing.
Woods reserves the right to limit quantities and apply surcharges at any time.

BATWING® SINGLE-WING ROTARY CUTTER

10.5-foot, Extreme-Duty – BW10.70

FACTORY ASSEMBLED: NO DECK RINGS

FEATURES & SPECIFICATIONS:

Recommended tractor hp: 65 – 300 hp
 Sloped top, 1/4-inch deck
 Cat 6 CV PTO drive; Cat 5 wing drive
 Floating linkage on wing lift cylinder
 1/4-inch side frame with 13-inch depth
 Swivel clevis hitch
 Hinge pin: 1 inch full length

Cutting height: 1 – 15 inches;
 Cutting width: 126 inches
 Cut: 4.5 inches diameter
 Transport width: 100 inches
 (laminated wheels)
 275 hp splitter gearbox,
 225 hp spindle gearboxes
 6-year limited gearbox warranty



WARNING: CHAIN SAFETY SHIELDING STANDARD EQUIPMENT. Chain safety shielding must be used for all non-agricultural uses and in areas where the possibility of thrown objects could be hazardous to persons or property. The maximum transport speed for towed and semi-mounted machines is 20 mph (32 KM/H). Regardless of the maximum speed capability of the towing tractor, do not exceed the implement's maximum transport speed.

**10.5' Single-Wing Batwing Cutter, Factory-Assembled (less wing wheels).
 Base Unit includes swivel clevis tongue, wing and lift cylinders, hoses, stroke control kit.
 MUST CHOOSE FROM SECTIONS 1 & 2 FOR A COMPLETE MACHINE.**

SECTION 1: BASE UNIT (MUST Choose One)

Model Selection	Part No.	PTO	Chain Shielding	Wheel Yoke Suspension	Tires Req'd	Shipping Wt. (lbs.)	Suggested List Price
BW10.70W	1045792	1-3/8" 540 RPM CV Drive	Single Row	Single Spring Suspension	5	4665	\$ 22,522.00
	1045793			Spring-Loaded @ Each Axle Arm	5	4774	23,761.00
BW10.70QW	1045794	1-3/8" 1000 RPM CV Drive	Single Row	Single Spring Suspension	5	4665	22,522.00
	1045795			Spring-Loaded @ Each Axle Arm	5	4774	23,761.00

SECTION 2: WHEELS AND TIRES (Dealer-Installed – MUST Choose Part No. & Quantity)

Part No.	Description	Shipping Wt. Ea. (lbs.)	Suggested List Price Ea.
1017088	15" Wheel Rims for Pneumatic Tires (dealer supplies tires)	18	\$ 72.00
1017040	21" O.D. Solid Laminated Tire & Rim	70	317.00
1017030	29 x 9 x 15 Used Aircraft Tire & Rim	75	344.00
1017030F	29" O.D. Foam-Filled Used Aircraft Tire w/Wheel	156	466.00
1039976	Severe-Duty Ag 20PR Tire & Rim, 25.5 x 8-14, 5-Bolt	56	367.00
1039976F	Foam-Filled Severe-Duty Ag 20PR Tire & Rim, 25.5 x 8-14, 5-Bolt	108	426.00

SECTION 3: OPTIONS (Dealer-Installed)

Part No.	Description	Shipping Wt. (lbs.)	Suggested List Price
1045841	Front Double Row Chain Shield Kit	83	\$ 382.00
1045842	Rear Double Row Chain Shield Kit	60	294.00
1028801	Dual Hub Kit (for wing section) – Add 1 Additional Wheel Per Kit	16	182.00
1045853	Cable Winch Kit	72	553.00
1045821	Shredding Kit	113	1,215.00
1045808	BW LED Light Kit	7	373.00
1045817	Pintle Ring Tongue Kit	35	589.00
1045819	Walking Tandem Kit (for center section, must be ordered with spring-loaded base unit; serial number 10007668087004 and older)	173	1,070.00
1046083	Walking Tandem Kit (for wing section, must be ordered with spring-loaded base unit and dual hub kit; serial number 10007668087004 and older)	87	499.00
614292	Walking Tandem Kit (for center section, must be ordered with spring-loaded base unit; serial number newer than 10007668087004)	173	997.00
614293	Walking Tandem Kit (for wing section, must be ordered with spring-loaded base unit and dual hub kit; serial number newer than 10007668087004)	87	499.00
1046047	Category 4 Clevis	20	199.00

**Prices and specifications subject to change without notice.
 Prices effective January 1, 2021.** Supersedes all previous pricing.
 Woods reserves the right to limit quantities and apply surcharges at any time.

BATWING® SINGLE-WING ROTARY CUTTER

10.5-foot, Extreme-Duty – BW10.70

FACTORY ASSEMBLED: WITH DECK RINGS

FEATURES & SPECIFICATIONS:

Recommended tractor hp: 65 – 300 hp	Cutting height: 1 – 15 inches;
Sloped top, 1/4-inch deck	Cutting width: 126 inches
Cat 6 CV PTO drive; Cat 5 wing drive	Cut: 4.5 inches diameter
Floating linkage on wing lift cylinder	Transport width: 100 inches
1/4-inch side frame with 13-inch depth	(laminated wheels)
Swivel clevis hitch	275 hp splitter gearbox,
Hinge pin: 1 inch full length	225 hp spindle gearboxes
	6-year limited gearbox warranty



WARNING: CHAIN SAFETY SHIELDING STANDARD EQUIPMENT. Chain safety shielding must be used for all non-agricultural uses and in areas where the possibility of thrown objects could be hazardous to persons or property. The maximum transport speed for towed and semi-mounted machines is 20 mph (32 KM/H). Regardless of the maximum speed capability of the towing tractor, do not exceed the implement's maximum transport speed.

10.5' Single-Wing Batwing Cutter, Factory-Assembled (less wing wheels).
Base Unit includes swivel clevis tongue, wing and lift cylinders, hoses, stroke control kit, deck rings.
MUST CHOOSE FROM SECTIONS 1 & 2 FOR A COMPLETE MACHINE.

SECTION 1: BASE UNIT (MUST Choose One)

Model Selection	Part No.	PTO	Chain Shielding	Wheel Yoke Suspension	Tires Req'd	Shipping Wt. (lbs.)	Suggested List Price
BW10.70RW	1045798	1-3/8" 540 RPM CV Drive	Single Row	Single Spring Suspension	5	4728	\$ 23,090.00
	1045799			Spring-Loaded @ Each Axle Arm	5	4837	24,331.00
BW10.70QRW	1045801	1-3/8" 1000 RPM CV Drive	Single Row	Spring-Loaded @ Each Axle Arm	5	4837	24,331.00

SECTION 2: WHEELS AND TIRES (Dealer-Installed – MUST Choose Part No. & Quantity)

Part No.	Description	Shipping Wt. Ea. (lbs.)	Suggested List Price Ea.
1017088	15" Wheel Rims for Pneumatic Tires (dealer supplies tires)	18	\$ 72.00
1017040	21" O.D. Solid Laminated Tire & Rim	70	317.00
1017030	29 x 9 x 15 Used Aircraft Tire & Rim	75	344.00
1017030F	29" O.D. Foam-Filled Used Aircraft Tire w/Wheel	156	466.00
1039976	Severe-Duty Ag 20PR Tire & Rim, 25.5 x 8-14, 5-Bolt	56	367.00
1039976F	Foam-Filled Severe-Duty Ag 20PR Tire & Rim, 25.5 x 8-14, 5-Bolt	108	426.00

SECTION 3: OPTIONS (Dealer-Installed)

Part No.	Description	Shipping Wt. (lbs.)	Suggested List Price
1045841	Front Double Row Chain Shield Kit	83	\$ 382.00
1045842	Rear Double Row Chain Shield Kit	60	294.00
1028801	Dual Hub Kit (for wing section) – Add 1 Additional Wheel Per Kit	16	182.00
1045853	Cable Winch Kit	72	553.00
1045821	Shredding Kit	113	1,215.00
1045808	BW LED Light Kit	7	373.00
1045817	Pintle Ring Tongue Kit	35	589.00
1045819	Walking Tandem Kit (for center section, must be ordered with spring-loaded base unit; serial number 10007668087004 and older)	173	1,070.00
1046083	Walking Tandem Kit (for wing section, must be ordered with spring-loaded base unit and dual hub kit; serial number 10007668087004 and older)	87	499.00
614292	Walking Tandem Kit (for center section, must be ordered with spring-loaded base unit; serial number newer than 10007668087004)	173	997.00
614293	Walking Tandem Kit (for wing section, must be ordered with spring-loaded base unit and dual hub kit; serial number newer than 10007668087004)	87	499.00
1046047	Category 4 Clevis	20	199.00

Prices and specifications subject to change without notice.
 Prices effective January 1, 2021. Supersedes all previous pricing.
 Woods reserves the right to limit quantities and apply surcharges at any time.

BATWING® DUAL-WING ROTARY CUTTER

15-foot, Extreme-Duty – BW15.70

FACTORY ASSEMBLED: NO DECK RINGS

FEATURES & SPECIFICATIONS:

Recommended tractor hp: 65 – 300 hp
 Sloped top, 1/4-inch deck
 Cat 6 CV PTO drive; Cat 5 wing drives
 Floating linkage on wing lift cylinders
 1/4-inch side frame with 13-inch depth
 Swivel clevis hitch
 Wing hinge pin: 1 inch full length

Cutting height: 2 – 15 inches;
 Cutting width: 180 inches
 Cut: 4.5 inches diameter
 Transport width: 96 inches
 275 hp splitter gearbox,
 225 hp spindle gearboxes
 6-year limited gearbox warranty



WARNING: CHAIN SAFETY SHIELDING STANDARD EQUIPMENT. Chain safety shielding must be used for all non-agricultural uses and in areas where the possibility of thrown objects could be hazardous to persons or property. The maximum transport speed for towed and semi-mounted machines is 20 mph (32 KM/H). Regardless of the maximum speed capability of the towing tractor, do not exceed the implement's maximum transport speed.

**15' Dual-Wing Batwing Cutter, Factory-Assembled (less wing wheels).
 Base Unit includes swivel clevis tongue, wing and lift cylinders, hoses, stroke control kit.
 MUST CHOOSE FROM SECTIONS 1 & 2 FOR A COMPLETE MACHINE.**

SECTION 1: BASE UNIT (MUST Choose One)

Model Selection	Part No.	PTO	Chain Shielding	Wheel Yoke Suspension	Tires Req'd	Shipping Wt. (lbs.)	Suggested List Price
BW15.70W	1045780	1-3/8" 540 RPM CV Drive	Single Row	Single Spring Suspension	6	4840	\$ 26,019.00
	1045781			Spring-Loaded @ Each Axle Arm	6	4995	27,490.00
BW15.70QW	1045782	1-3/8" 1000 RPM CV Drive	Single Row	Single Spring Suspension	6	4840	26,019.00
	1045783			Spring-Loaded @ Each Axle Arm	6	4995	27,490.00
BW15.70QW	1045784	1-3/4" 1000 RPM CV Drive	Single Row	Single Spring Suspension	6	4840	26,179.00
	1045785			Spring-Loaded @ Each Axle Arm	6	4995	27,652.00

SECTION 2: WHEELS AND TIRES (Dealer-Installed – MUST Choose Part No. & Quantity)

Part No.	Description	Shipping Wt. Ea. (lbs.)	Suggested List Price Ea.
1017088	15" Wheel Rims for Pneumatic Tires (dealer supplies tires)	18	\$ 72.00
1017040	21" O.D. Solid Laminated Tire & Rim	70	317.00
1017030	29 x 9 x 15 Used Aircraft Tire & Rim	75	344.00
1017030F	29" O.D. Foam-Filled Used Aircraft Tire w/Wheel	156	466.00
1039976	Severe-Duty Ag 20PR Tire & Rim, 25.5 x 8-14, 5-Bolt	56	367.00
1039976F	Foam-Filled Severe-Duty Ag 20PR Tire & Rim, 25.5 x 8-14, 5-Bolt	108	426.00

SECTION 3: OPTIONS (Dealer-Installed)

Part No.	Description	Shipping Wt. (lbs.)	Suggested List Price
1045839	Front Double Row Chain Shield Kit	129	\$ 528.00
1045840	Rear Double Row Chain Shield Kit	81	356.00
1017310	Dual Hub Kit (for wings) – Add 2 Additional Wheels Per Kit	30	290.00
1045853	Cable Winch Kit	72	553.00
1045821	Shredding Kit	113	1,215.00
1045808	BW LED Light Kit	7	373.00
1003696	T-Hose Kit	3	76.00
1045817	Pintle Ring Tongue Kit	35	589.00
1045819	Walking Tandem Kit (1 kit for center section; 1 kit for wings, must be ordered with spring-loaded base unit and dual hub kit for wing section only; serial number 10007668087004 and older)	173	1,070.00
614292	Walking Tandem Kit (1 kit for center section; 1 kit for wings, must be ordered with spring-loaded base unit and dual hub kit for wing section only; serial number newer than 10007668087004)	173	997.00
1046047	Category 4 Clevis	20	199.00

Prices and specifications subject to change without notice.
 Prices effective January 1, 2021. Supersedes all previous pricing.
 Woods reserves the right to limit quantities and apply surcharges at any time.

BATWING® DUAL-WING ROTARY CUTTER

15-foot, Extreme-Duty – BW15.70

FACTORY ASSEMBLED: WITH DECK RINGS

FEATURES & SPECIFICATIONS:

Recommended tractor hp: 65 – 300 hp
Sloped top, 1/4-inch deck
Cat 6 CV PTO drive; Cat 5 wing drives
Floating linkage on wing lift cylinders
1/4-inch side frame with 13-inch depth
Swivel clevis hitch
Wing hinge pin: 1 inch full length

Cutting height: 2 – 15 inches;
Cutting width: 180 inches
Cut: 4.5 inches diameter
Transport width: 96 inches
275 hp splitter gearbox,
225 hp spindle gearboxes
6-year limited gearbox warranty



WARNING: CHAIN SAFETY SHIELDING STANDARD EQUIPMENT. Chain safety shielding must be used for all non-agricultural uses and in areas where the possibility of thrown objects could be hazardous to persons or property. The maximum transport speed for towed and semi-mounted machines is 20 mph (32 KM/H). Regardless of the maximum speed capability of the towing tractor, do not exceed the implement's maximum transport speed.

**15' Dual-Wing Batwing Cutter, Factory-Assembled (less wing wheels).
Base Unit includes swivel clevis tongue, wing and lift cylinders, hoses, stroke control kit, deck rings.
MUST CHOOSE FROM SECTIONS 1 & 2 FOR A COMPLETE MACHINE.**

SECTION 1: BASE UNIT (MUST Choose One)

Model Selection	Part No.	PTO	Chain Shielding	Wheel Yoke Suspension	Tires Req'd	Shipping Wt. (lbs.)	Suggested List Price
BW15.70RW	1045786	1-3/8" 540 RPM CV Drive	Single Row	Single Spring Suspension	6	4903	\$ 27,458.00
	1045787			Spring-Loaded @ Each Axle Arm	6	5059	28,929.00
BW15.70QRW	1045788	1-3/8" 1000 RPM CV Drive	Single Row	Single Spring Suspension	6	4903	27,458.00
	1045789			Spring-Loaded @ Each Axle Arm	6	5059	28,929.00
BW15.70QRW	1045791	1-3/4" 1000 RPM CV Drive	Single Row	Spring-Loaded @ Each Axle Arm	6	5059	29,091.00

SECTION 2: WHEELS AND TIRES (Dealer-Installed – MUST Choose Part No. & Quantity)

Part No.	Description	Shipping Wt. Ea. (lbs.)	Suggested List Price Ea.
1017088	15" Wheel Rims for Pneumatic Tires (dealer supplies tires)	18	\$ 72.00
1017040	21" O.D. Solid Laminated Tire & Rim	70	317.00
1017030	29 x 9 x 15 Used Aircraft Tire & Rim	75	344.00
1017030F	29" O.D. Foam-Filled Used Aircraft Tire w/Wheel	156	466.00
1039976	Severe-Duty Ag 20PR Tire & Rim, 25.5 x 8-14, 5-Bolt	56	367.00
1039976F	Foam-Filled Severe-Duty Ag 20PR Tire & Rim, 25.5 x 8-14, 5-Bolt	108	426.00

SECTION 3: OPTIONS (Dealer-Installed)

Part No.	Description	Shipping Wt. (lbs.)	Suggested List Price
1045839	Front Double Row Chain Shield Kit	129	\$ 528.00
1045840	Rear Double Row Chain Shield Kit	81	356.00
1017310	Dual Hub Kit (for wings) – Add 2 Additional Wheels Per Kit	30	290.00
1045853	Cable Winch Kit	72	553.00
1045821	Shredding Kit	113	1,215.00
1045808	BW LED Light Kit	7	373.00
1003696	T-Hose Kit	3	76.00
1045817	Pintle Ring Tongue Kit	35	589.00
1045819	Walking Tandem Kit (1 kit for center section; 1 kit for wings, must be ordered with spring-loaded base unit and dual hub kit for wing section only; serial number 10007668087004 and older)	173	1,070.00
614292	Walking Tandem Kit (1 kit for center section; 1 kit for wings, must be ordered with spring-loaded base unit and dual hub kit for wing section only; serial number newer than 10007668087004)	173	997.00
1046047	Category 4 Clevis	20	199.00

Prices and specifications subject to change without notice.
Prices effective January 1, 2021. Supersedes all previous pricing.
Woods reserves the right to limit quantities and apply surcharges at any time.

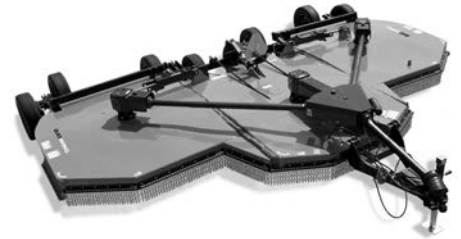
BATWING® DUAL-WING ROTARY CUTTER

20-foot, Standard-Duty – BW20.51

FACTORY ASSEMBLED

FEATURES & SPECIFICATIONS:

Recommended tractor hp: 70 – 200 hp	Fully baffled decks
Sloped top, 10-gauge deck	Cut: 2 inches diameter
Cat 6 CV PTO drive	250 hp splitter gearbox, 200 hp spindle gearboxes
Cat 4 wing drives	6-year limited gearbox warranty
Clevis hitch	



WARNING: CHAIN SAFETY SHIELDING STANDARD EQUIPMENT. Chain safety shielding must be used for all non-agricultural uses and in areas where the possibility of thrown objects could be hazardous to persons or property. The maximum transport speed for towed and semi-mounted machines is 20 mph (32 KM/H). Regardless of the maximum speed capability of the towing tractor, do not exceed the implement's maximum transport speed.

**20' Dual-Wing Batwing Cutter, Factory-Assembled (less wing wheels).
Base Unit includes swivel clevis tongue, wing and lift cylinders, hoses, stroke control kit.
MUST CHOOSE FROM SECTIONS 1 & 2 FOR A COMPLETE MACHINE.**

SECTION 1: BASE UNIT (MUST Choose One)

Model Selection	Part No.	PTO	Chain Shielding	Wheel Yoke Suspension	Tires Req'd	Shipping Wt. (lbs.)	Suggested List Price
BW20.51W	614120	1-3/8" 540 RPM CV Drive	Single Row	Spring-Loaded @ Each Axle Arm	6	6050	\$ 28,014.00
BW20.51QW	614122	1-3/8" 1000 RPM CV Drive	Single Row	Spring-Loaded @ Each Axle Arm	6	6046	28,014.00
BW20.51QW	614248	1-3/4" 1000 RPM CV Drive	Single Row	Spring-Loaded @ Each Axle Arm	6	6046	28,160.00

NOTE: 1000 rpm recommended for tractors over 100 HP.

SECTION 2: WHEELS AND TIRES (Dealer-Installed – MUST Choose Part No. & Quantity)

Part No.	Description	Shipping Wt. Ea. (lbs.)	Suggested List Price Ea.
1017088	15" Wheel Rims for Pneumatic Tires (dealer supplies tires)	18	\$ 72.00
1017040	21" O.D. Solid Laminated Tire & Rim	70	317.00
1017030	29 x 9 x 15 Used Aircraft Tire & Rim	75	344.00
1017030F	29" O.D. Foam-Filled Used Aircraft Tire w/Wheel	156	466.00
1039976	Severe-Duty Ag 20PR Tire & Rim, 25.5 x 8-14, 5-Bolt	56	367.00
1039976F	Foam-Filled Severe-Duty Ag 20PR Tire & Rim, 25.5 x 8-14, 5-Bolt	108	426.00

SECTION 3: OPTIONS (Dealer-Installed)

Part No.	Description	Shipping Wt. (lbs.)	Suggested List Price
1044331WW	Double Row Chain Shield Kit, Front and Rear	TBD	\$ 1,822.00
1017310	Dual Hub Kit (for wings) – Add 2 Additional Wheels Per Kit	30	290.00
1019456	Cable Winch Kit	58	451.00
1045808	BW LED Light Kit	7	373.00
1003696	T-Hose Kit	3	76.00
1031395	Pintle Ring Kit	34	541.00
614347	Spring-Loaded Wing Lock-Ups (<3m transport width)	107	636.00
603864	Walking Tandem Kit (1 kit for center; 1 kit for wings, must be ordered with dual hub kit for center and wing section)	180	1,162.00

Prices and specifications subject to change without notice.
Prices effective January 1, 2021. Supersedes all previous pricing.
Woods reserves the right to limit quantities and apply surcharges at any time.

BATWING® DUAL-WING ROTARY CUTTER

20-foot, Heavy-Duty – BW20.61

FACTORY ASSEMBLED

FEATURES & SPECIFICATIONS:

Recommended tractor hp: 70 – 300 hp	Fully baffled decks
Sloped top, 10-gauge deck	Cut: 3 inches diameter
Cat 6 CV PTO drive	275 hp splitter gearbox, 225 hp spindle gearboxes
Cat 4 wing drives	6-year limited gearbox warranty
Swivel clevis hitch	



WARNING: CHAIN SAFETY SHIELDING STANDARD EQUIPMENT. Chain safety shielding must be used for all non-agricultural uses and in areas where the possibility of thrown objects could be hazardous to persons or property. The maximum transport speed for towed and semi-mounted machines is 20 mph (32 KM/H). Regardless of the maximum speed capability of the towing tractor, do not exceed the implement's maximum transport speed.

**20' Dual-Wing Batwing Cutter, Factory-Assembled (less wing wheels).
Base Unit includes swivel clevis tongue, wing and lift cylinders, hoses, stroke control kit.
MUST CHOOSE FROM SECTIONS 1 & 2 FOR A COMPLETE MACHINE.**

SECTION 1: BASE UNIT (MUST Choose One)							
Model Selection	Part No.	PTO	Chain Shielding	Wheel Yoke Suspension	Tires Req'd	Shipping Wt. (lbs.)	Suggested List Price
BW20.61W	614250	1-3/8" 540 RPM CV Drive	Single Row	Spring-Loaded @ Each Axle Arm	6	6406	\$ 31,928.00
BW20.61W	614251	1-3/8" 540 RPM CV Drive	Double Row	Spring-Loaded @ Each Axle Arm	6	6660	32,307.00
BW20.61QW	614252	1-3/8" 1000 RPM CV Drive	Single Row	Spring-Loaded @ Each Axle Arm	6	6543	31,928.00
BW20.61QW	614253	1-3/8" 1000 RPM CV Drive	Double Row	Spring-Loaded @ Each Axle Arm	6	6777	32,307.00
BW20.61QW	614255	1-3/4" 1000 RPM CV Drive	Single Row	Spring-Loaded @ Each Axle Arm	6	6543	32,084.00

NOTE: 1000 rpm recommended for tractors over 100 HP.

SECTION 2: WHEELS AND TIRES (Dealer-Installed – MUST Choose Part No. & Quantity)			
Part No.	Description	Shipping Wt. Ea. (lbs.)	Suggested List Price Ea.
1017088	15" Wheel Rims for Pneumatic Tires (dealer supplies tires)	18	\$ 72.00
1017040	21" O.D. Solid Laminated Tire & Rim	70	317.00
1017030	29 x 9 x 15 Used Aircraft Tire & Rim	75	344.00
1017030F	29" O.D. Foam-Filled Used Aircraft Tire w/Wheel	156	466.00
1039976	Severe-Duty Ag 20PR Tire & Rim, 25.5 x 8-14, 5-Bolt	56	367.00
1039976F	Foam-Filled Severe-Duty Ag 20PR Tire & Rim, 25.5 x 8-14, 5-Bolt	108	426.00

SECTION 3: OPTIONS (Dealer-Installed)			
Part No.	Description	Shipping Wt. (lbs.)	Suggested List Price
1044331WW	Double Row Chain Shield Kit, Front and Rear	TBD	\$ 1,822.00
1017310	Dual Hub Kit (for wings) – Add 2 Additional Wheels Per Kit	30	290.00
1019456	Cable Winch Kit	58	451.00
614356	Stalk Shredding Kit	125	1,253.00
1045808	BW LED Light Kit	7	373.00
1003696	T-Hose Kit	3	76.00
1019451	Pintle Ring Kit	33	579.00
614347	Spring-Loaded Wing Lock-Ups (<3m transport width)	107	636.00
603864	Walking Tandem Kit (1 kit for center; 1 kit for wings, must be ordered with dual hub kit for center and wing section)	180	1,162.00

Prices and specifications subject to change without notice.
Prices effective January 1, 2021. Supersedes all previous pricing.
Woods reserves the right to limit quantities and apply surcharges at any time.

BATWING® SINGLE-WING ROTARY CUTTER

13.5-foot, Extreme-Duty – BW13.71

FACTORY ASSEMBLED: NO DECK RINGS

FEATURES & SPECIFICATIONS:

Recommended tractor hp: 70 – 300 hp
 Sloped top, (2) 10-gauge deck
 Cat 6 CV PTO drive; Cat 5 wing drive
 Floating linkage on wing lift cylinder
 1/4-inch side frame with 12.5-inch depth
 Swivel clevis hitch
 Fully baffled decks
 Hinge pin: 1 inch full length

Cutting height: 2 – 15 inches;
 Cutting width: 162 inches
 Cut: 4 inches diameter
 Transport width: 106 inches
 275 hp splitter gearbox,
 225 hp spindle gearboxes
 6-year limited gearbox warranty



WARNING: CHAIN SAFETY SHIELDING STANDARD EQUIPMENT. Chain safety shielding must be used for all non-agricultural uses and in areas where the possibility of thrown objects could be hazardous to persons or property. The maximum transport speed for towed and semi-mounted machines is 20 mph (32 KM/H). Regardless of the maximum speed capability of the towing tractor, do not exceed the implement's maximum transport speed.

**13.5' Single Right Wing Batwing Cutter, Factory-Assembled (less wing wheels).
 Base Unit includes swivel clevis tongue, wing and lift cylinders, hoses, stroke control kit.
 MUST CHOOSE FROM SECTIONS 1 & 2 FOR A COMPLETE MACHINE.**

SECTION 1: BASE UNIT (MUST Choose One)

Model Selection	Part No.	PTO	Chain Shielding	Wheel Yoke Suspension	Tires Req'd	Shipping Wt. (lbs.)	Suggested List Price
BW13.71W	614271	1-3/8" 540 RPM CV Drive	Single Row	Spring-Loaded @ Each Axle Arm	5	7860	\$ 26,609.00
BW13.71QW	614273	1-3/8" 1000 RPM CV Drive	Single Row	Spring-Loaded @ Each Axle Arm	5	7860	26,609.00

NOTE: 1000 rpm recommended for tractors over 100 HP.

SECTION 2: WHEELS AND TIRES (Dealer-Installed – MUST Choose Part No. & Quantity)

Part No.	Description	Shipping Wt. Ea. (lbs.)	Suggested List Price Ea.
1017088	15" Wheel Rims for Pneumatic Tires (dealer supplies tires)	18	\$ 72.00
1017040	21" O.D. Solid Laminated Tire & Rim	70	317.00
1017030	29 x 9 x 15 Used Aircraft Tire & Rim	75	344.00
1017030F	29" O.D. Foam-Filled Used Aircraft Tire w/Wheel	156	466.00
1039976	Severe-Duty Ag 20PR Tire & Rim, 25.5 x 8-14, 5-Bolt	56	367.00
1039976F	Foam-Filled Severe-Duty Ag 20PR Tire & Rim, 25.5 x 8-14, 5-Bolt	108	426.00

SECTION 3: OPTIONS (Dealer-Installed)

Part No.	Description	Shipping Wt. (lbs.)	Suggested List Price
1028801	Dual Hub Kit (for wing section) – Add 1 Additional Wheel Per Kit	16	\$ 182.00
1019456	Cable Winch Kit	58	451.00
1045808	BW LED Light Kit	7	373.00
1019451	Pintle Ring Kit	33	579.00
603864	Walking Tandem Kit (for center section)	180	1,162.00
603865	Walking Tandem Kit (for wing section, must be ordered with dual hub kit)	90	590.00

Prices and specifications subject to change without notice.
 Prices effective January 1, 2021. Supersedes all previous pricing.
 Woods reserves the right to limit quantities and apply surcharges at any time.

BATWING® SINGLE-WING ROTARY CUTTER

13.5-foot, Extreme-Duty – BW13.71

FACTORY ASSEMBLED: WITH DECK RINGS

FEATURES & SPECIFICATIONS:

Recommended tractor hp: 70 – 300 hp	Cutting height: 2 – 15 inches;
Sloped top, (2) 10-gauge deck	Cutting width: 162 inches
Cat 6 CV PTO drive; Cat 5 wing drive	Cut: 4 inches diameter
Floating linkage on wing lift cylinder	Transport width: 106 inches
1/4-inch side frame with 12.5-inch depth	275 hp splitter gearbox, 225 hp spindle gearboxes
Swivel clevis hitch	6-year limited gearbox warranty
Fully baffled decks	
Hinge pin: 1 inch full length	



WARNING: CHAIN SAFETY SHIELDING STANDARD EQUIPMENT. Chain safety shielding must be used for all non-agricultural uses and in areas where the possibility of thrown objects could be hazardous to persons or property. The maximum transport speed for towed and semi-mounted machines is 20 mph (32 KM/H). Regardless of the maximum speed capability of the towing tractor, do not exceed the implement's maximum transport speed.

**13.5' Single Right Wing Batwing Cutter, Factory-Assembled (less wing wheels).
Base Unit includes swivel clevis tongue, wing and lift cylinders, hoses, stroke control kit, deck rings.
MUST CHOOSE FROM SECTIONS 1 & 2 FOR A COMPLETE MACHINE.**

SECTION 1: BASE UNIT							
Model Selection	Part No.	PTO	Chain Shielding	Wheel Yoke Suspension	Tires Req'd	Shipping Wt. (lbs.)	Suggested List Price
BW13.71QREVRW w/Reverse Rotation	614288	1-3/8" 1000 RPM CV Drive	Double Row	Spring-Loaded @ Each Axle Arm	5	8053	\$ 28,265.00

NOTE: 1000 rpm recommended for tractors over 100 HP.

SECTION 2: WHEELS AND TIRES (Dealer-Installed – MUST Choose Part No. & Quantity)			
Part No.	Description	Shipping Wt. Ea. (lbs.)	Suggested List Price Ea.
1017088	15" Wheel Rims for Pneumatic Tires (dealer supplies tires)	18	\$ 72.00
1017040	21" O.D. Solid Laminated Tire & Rim	70	317.00
1017030	29 x 9 x 15 Used Aircraft Tire & Rim	75	344.00
1017030F	29" O.D. Foam-Filled Used Aircraft Tire w/Wheel	156	466.00
1039976	Severe-Duty Ag 20PR Tire & Rim, 25.5 x 8-14, 5-Bolt	56	367.00
1039976F	Foam-Filled Severe-Duty Ag 20PR Tire & Rim, 25.5 x 8-14, 5-Bolt	108	426.00

SECTION 3: OPTIONS (Dealer-Installed)			
Part No.	Description	Shipping Wt. (lbs.)	Suggested List Price
1028801	Dual Hub Kit (for wing section) – Add 1 Additional Wheel Per Kit	16	\$ 182.00
1019456	Cable Winch Kit	58	451.00
1045808	BW LED Light Kit	7	373.00
1019451	Pintle Ring Kit	33	579.00
603864	Walking Tandem Kit (for center section)	180	1,162.00
603865	Walking Tandem Kit (for wing section, must be ordered with dual hub kit)	90	590.00

Prices and specifications subject to change without notice.
Prices effective January 1, 2021. Supersedes all previous pricing.
Woods reserves the right to limit quantities and apply surcharges at any time.

BATWING® DUAL-WING ROTARY CUTTER

20-foot, Extreme-Duty – BW20.71

FACTORY ASSEMBLED: NO DECK RINGS

FEATURES & SPECIFICATIONS:

Recommended tractor hp: 70 – 300 hp
Sloped top, (2) 10-gauge deck
Cat 6 CV PTO drive; Cat 5 wing drives
Floating linkage on wing lift cylinders
1/4-inch side frame with 12.5-inch depth
Swivel clevis hitch
Fully baffled decks

Wing hinge pin: 1 inch full length
Cutting height: 2 – 15 inches;
Cutting width: 240 inches
Cut: 4 inches diameter
Transport width: 120 inches
275 hp splitter gearbox,
225 hp spindle gearboxes
6-year limited gearbox warranty



WARNING: CHAIN SAFETY SHIELDING STANDARD EQUIPMENT. Chain safety shielding must be used for all non-agricultural uses and in areas where the possibility of thrown objects could be hazardous to persons or property. The maximum transport speed for towed and semi-mounted machines is 20 mph (32 KM/H). Regardless of the maximum speed capability of the towing tractor, do not exceed the implement's maximum transport speed.

**20' Dual-Wing Batwing Cutter, Factory-Assembled (less wing wheels).
Base Unit includes swivel clevis tongue, wing and lift cylinders, hoses, stroke control kit.
MUST CHOOSE FROM SECTIONS 1 & 2 FOR A COMPLETE MACHINE.**

SECTION 1: BASE UNIT (MUST Choose One)

Model Selection	Part No.	PTO	Chain Shielding	Wheel Yoke Suspension	Tires Req'd	Shipping Wt. (lbs.)	Suggested List Price
BW20.71QW	614259	1-3/8" 1000 RPM CV Drive	Single Row	Spring-Loaded @ Each Axle Arm	6	7309	\$ 34,834.00
BW20.71QW	614261	1-3/4" 1000 RPM CV Drive	Single Row	Spring-Loaded @ Each Axle Arm	6	7309	34,965.00

NOTE: 1000 rpm recommended for tractors over 100 HP.

SECTION 2: WHEELS AND TIRES (Dealer-Installed – MUST Choose Part No. & Quantity)

Part No.	Description	Shipping Wt. Ea. (lbs.)	Suggested List Price Ea.
1017088	15" Wheel Rims for Pneumatic Tires (dealer supplies tires)	18	\$ 72.00
1017040	21" O.D. Solid Laminated Tire & Rim	70	317.00
1017030	29 x 9 x 15 Used Aircraft Tire & Rim	75	344.00
1017030F	29" O.D. Foam-Filled Used Aircraft Tire w/Wheel	156	466.00
1039976	Severe-Duty Ag 20PR Tire & Rim, 25.5 x 8-14, 5-Bolt	56	367.00
1039976F	Foam-Filled Severe-Duty Ag 20PR Tire & Rim, 25.5 x 8-14, 5-Bolt	108	426.00

SECTION 3: OPTIONS (Dealer-Installed)

Part No.	Description	Shipping Wt. (lbs.)	Suggested List Price
1044331WW	Double Row Chain Shield Kit, Front and Rear	TBD	\$ 1,822.00
1017310	Dual Hub Kit (for wings) – Add 2 Additional Wheels Per Kit	30	290.00
1019456	Cable Winch Kit	58	451.00
614356	Stalk Shredding Kit	125	1,253.00
1045808	BW LED Light Kit	7	373.00
1003696	T-Hose Kit	3	76.00
1019451	Pintle Ring Kit	33	579.00
614347	Spring-Loaded Wing Lock-Ups (<3m transport width)	107	636.00
603864	Walking Tandem Kit (1 kit for center; 1 kit for wings, must be ordered with dual hub kit for center and wing section)	180	1,162.00

Prices and specifications subject to change without notice.
Prices effective January 1, 2021. Supersedes all previous pricing.
Woods reserves the right to limit quantities and apply surcharges at any time.

BATWING® DUAL-WING ROTARY CUTTER

20-foot, Extreme-Duty – BW20.71

FACTORY ASSEMBLED: WITH DECK RINGS

FEATURES & SPECIFICATIONS:

Recommended tractor hp: 70 – 300 hp
 Sloped top, (2) 10-gauge deck
 Cat 6 CV PTO drive; Cat 5 wing drives
 Floating linkage on wing lift cylinders
 1/4-inch side frame with 12.5-inch depth
 Swivel clevis hitch
 Fully baffled decks
 Wing hinge pin: 1 inch full length

Cutting height: 2 – 15 inches;
 Cutting width: 240 inches
 Cut: 4 inches diameter
 Transport width: 120 inches
 275 hp splitter gearbox,
 225 hp spindle gearboxes
 6-year limited gearbox warranty



WARNING: CHAIN SAFETY SHIELDING STANDARD EQUIPMENT. Chain safety shielding must be used for all non-agricultural uses and in areas where the possibility of thrown objects could be hazardous to persons or property. The maximum transport speed for towed and semi-mounted machines is 20 mph (32 KM/H). Regardless of the maximum speed capability of the towing tractor, do not exceed the implement's maximum transport speed.

**20' Dual-Wing Batwing Cutter, Factory-Assembled (less wing wheels).
 Base Unit includes swivel clevis tongue, wing and lift cylinders, hoses, stroke control kit, deck rings.
 MUST CHOOSE FROM SECTIONS 1 & 2 FOR A COMPLETE MACHINE.**

SECTION 1: BASE UNIT (MUST Choose One)							
Model Selection	Part No.	PTO	Chain Shielding	Wheel Yoke Suspension	Tires Req'd	Shipping Wt. (lbs.)	Suggested List Price
BW20.71RW	614264	1-3/8" 540 RPM CV Drive	Single Row	Spring-Loaded @ Each Axle Arm	6	7468	\$ 36,066.00
BW20.71QRW	614266	1-3/8" 1000 RPM CV Drive	Single Row	Spring-Loaded @ Each Axle Arm	6	7468	36,066.00

NOTE: 1000 rpm recommended for tractors over 100 HP.

SECTION 2: WHEELS AND TIRES (Dealer-Installed – MUST Choose Part No. & Quantity)			
Part No.	Description	Shipping Wt. Ea. (lbs.)	Suggested List Price Ea.
1017088	15" Wheel Rims for Pneumatic Tires (dealer supplies tires)	18	\$ 72.00
1017040	21" O.D. Solid Laminated Tire & Rim	70	317.00
1017030	29 x 9 x 15 Used Aircraft Tire & Rim	75	344.00
1017030F	29" O.D. Foam-Filled Used Aircraft Tire w/Wheel	156	466.00
1039976	Severe-Duty Ag 20PR Tire & Rim, 25.5 x 8-14, 5-Bolt	56	367.00
1039976F	Foam-Filled Severe-Duty Ag 20PR Tire & Rim, 25.5 x 8-14, 5-Bolt	108	426.00

SECTION 3: OPTIONS (Dealer-Installed)			
Part No.	Description	Shipping Wt. (lbs.)	Suggested List Price
1044331WW	Double Row Chain Shield Kit, Front and Rear	TBD	\$ 1,822.00
1017310	Dual Hub Kit (for wings) – Add 2 Additional Wheels Per Kit	30	290.00
1019456	Cable Winch Kit	58	451.00
614356	Stalk Shredding Kit	125	1,253.00
1045808	BW LED Light Kit	7	373.00
1003696	T-Hose Kit	3	76.00
1019451	Pintle Ring Kit	33	579.00
614347	Spring-Loaded Wing Lock-Ups (<3m transport width)	107	636.00
603864	Walking Tandem Kit (1 kit for center; 1 kit for wings, must be ordered with dual hub kit for center and wing section)	180	1,162.00

Prices and specifications subject to change without notice.
 Prices effective January 1, 2021. Supersedes all previous pricing.
 Woods reserves the right to limit quantities and apply surcharges at any time.

TABLE OF CONTENTS

Center Drive Flail Shredders with Rear Rock Shaft	FS2 – FS3
Features	FS2
Swing Flap Kits	FS2
Options and Accessories	FS3
Center Drive Flail Shredders with Four Casters	FS4 – FS5
Features	FS4
Swing Flap Kits	FS4
Options and Accessories	FS5

NOTE: All gearbox horsepower ratings listed in the following specifications are based on Woods' field testing.

PRICING DOES NOT INCLUDE
CURRENT SURCHARGE AMOUNT

FLAIL SHREDDERS

Center Drive Flail Shredder with Rear Rock Shaft

FEATURES:

Cutting width: 183 – 327 inches
 Cutting height range: 2 – 14 inches
 Flail tube diameter: 12.75 inches
 Flail tube end bearing: 2.188 inches
 Flail tube speed: 1350 revolutions per minute
 Knife tip speed: 11,700 feet per minute or 133 miles per hour
 Knife Options: 6 mm L-knives, 8 mm HD-Cotton (Duraface)
 L-knives or 11-inch cup knives
 Knife retention: bolt-on (No D-rings)
 Knife pattern: spiral
 Hood type: smooth, tri-lateral shape
 Hood thickness: 0.18-inch
 End plate thickness: 0.25-inch
 Shielding: steel swing flap*
 Hitch type: 3-point
 Wheel arm types: strut (Rigid)
 Horsepower requirement: 6 – 8 hp per foot of machine width



Center V-Baffle
 PTO speed: 1000 rpm
 Driveline Size: Category 6
 Gearbox Rating: 300 hp
 6-year limited gearbox warranty
Full Wear Plate Liner: Wear panel provides double thickness body at high wear area

Model No.	Part No.	Description	Cutting Width (in.)	Shipping Wt. (lbs.)	# of Knives	Suggested List Price
S15CD	1026550LKWP	15' L-Knife with Wear Liner	183	3398	168	\$ 20,049.00
S20CD	1026551LKWP	20' L-Knife with Wear Liner	247	4265	232	24,684.00
S20CD	1026551HDWP	20' HD-Cotton (Duraface) Knife with Wear Liner	247	4345	232	27,315.00
S25CD	1026553LKWP	25' L-Knife with Wear Liner	303	5130	288	29,431.00
S25CD	1026553HDWP	25' HD-Cotton (Duraface) Knife with Wear Liner	303	5229	288	32,894.00
S27CD	1026554LKWP	27' L-Knife with Wear Liner	327	TBD	312	34,984.00
S27CD	1026554HDWP	27' HD-Cotton (Duraface) Knife with Wear Liner	327	5600	312	38,510.00

NOTES: Center gearbox drive shredders leave an area of 12 inches uncut in the middle, underneath the gearbox.

Flail Shredder Tube repair service is available.

See the Flail Shredder Tube Service Bulletin in the Service & Safety section of dealer.woods-equipment.com.

SWING FLAP KITS – CENTER DRIVE SHREDDER*

Used With	Part No.	Description	Shipping Wt. (lbs.)	Suggested List Price
S15CD	1040166	Steel Swing Flap Kit	105	\$ 775.00
S20CD	1040167	Steel Swing Flap Kit	140	970.00
S25CD	1040169	Steel Swing Flap Kit	189	1,286.00
S27CD	1040170	Steel Swing Flap Kit	203	1,505.00

* Must order one Swing Flap Kit with each shredder (Dealer Installed).

Prices and specifications subject to change without notice.
 Prices effective January 1, 2021. Supersedes all previous pricing.
 Woods reserves the right to limit quantities and apply surcharges at any time.

FLAIL SHREDDERS

Center Drive Flail Shredder with Rear Rock Shaft (Continued)

COMPLETING KIT FOR LIFT SHREDDERS:

Completing kit must be ordered with each shredder. The completing kit contains the 3-point hitch and strut weldments (less wheel rims and tires). This kit also contains the parking stands, ratchet jack, safety lights and related hardware.

Part No.	Description	Shipping Wt. (lbs.)	Suggested List Price
618218	3-point hitch, 4 struts, safety lights	815	\$ 4,112.00

DRIVES

Part No.	Description	Shipping Wt. (lbs.)	Suggested List Price
1016104	Drive, 1-3/8" PTO with disc clutch		\$ 2,027.00
1016105	Drive, 1-3/4" PTO with disc clutch		1,432.00
1026555	Drive, 1-3/4" PTO with auto clutch		2,109.00

NOTE: Extended length PTO shafts are to be used if the horizontal measured distance from the end of the tractor output shaft to the lower link hitch point (including Quick Hitch, if used) exceeds 28". Measure distance with lower 3-point arms in the level or horizontal position. Call Woods® Tech Service for extended length PTO's.

TIRES

Part No.	Description	Shipping Wt. (lbs.)	Suggested List Price
1040995	11L x 15 Implement Tire, Tube and Wheel (Assembled)	60	\$ 335.00
1010081	9.5L x 15 Implement Tire, Tube and Wheel (Assembled)	62	316.00
1017030	Used Aircraft Tire and Rim, 29 x 9 x 15	75	344.00

ACCESSORIES

Part No.	Description	Shipping Wt. (lbs.)	Suggested List Price
1022670	Anti-Push Skid Plate Kit	65	\$ 431.00
1022610	End Transport Kit (Two additional tires required) – For "S" center drive shredders only, except 30'	1067	5,637.00
1024120	Hydraulic Center Cutter Kit (Cuts center strip) – 28 GPM; 3000 PSI max.	125	3,335.00
10475	Hydraulic Cylinder: 3-1/2" x 8" single-acting cylinder for hydraulic height adjustment, order (1) 9382 hose kit below for cutting height adjustment; also requires Stroke Control Spacer Kit 24098 below	35	281.00
9382	Hose Kit: for cutting height adjustment, 1/4" x 156"	2	103.00
24098	Stroke Control Spacer Set: for hydraulic cylinder	4	42.00

Prices and specifications subject to change without notice.
 Prices effective January 1, 2021. Supersedes all previous pricing.
 Woods reserves the right to limit quantities and apply surcharges at any time.

FLAIL SHREDDERS

Center Drive Flail Shredder with Four Casters

FEATURES:

Cutting width: 303 – 327 inches
 Cutting height range: 2 – 14 inches
 Flail tube diameter: 12.75 inches
 Flail tube end bearing: 2.188 inches
 Flail tube speed: 1350 revolutions per minute
 Knife tip speed: 11,700 feet per minute or 133 miles per hour
 Knife Options: 6 mm L-knives, 8 mm HD-Cotton (Duraface) L-knives or 11-inch cup knives
 Knife retention: bolt-on (No D-rings)
 Knife pattern: spiral
 Hood type: smooth, tri-lateral shape
 Hood thickness: 0.18-inch
 End plate thickness: 0.25-inch
 Shielding: steel swing flap*
 Hitch type: 3-point
 Wheel arm types: caster
 Horsepower requirement: 6 – 8 hp per foot of machine width
 End tow standard



Center V-Baffle
 PTO speed: 1000 rpm
 Driveline Size: Category 6
 Gearbox Rating: 300 hp
 6-year limited gearbox warranty
Full Wear Plate Liner: Wear panel provides double thickness body at high wear area

Model No.	Part No.	Description	Cutting Width (in.)	Shipping Wt. (lbs.)	# of Knives	Suggested List Price
S25CD	1038452HDWP	25' HD-Cotton (Duraface) Knife with Wear Liner	303	TBD	288	\$ 32,894.00
S27CD	1038453HDWP	27' HD-Cotton (Duraface) Knife with Wear Liner	327	TBD	312	38,510.00

NOTES: Center gearbox drive shredders leave an area of 12 inches uncut in the middle, underneath the gearbox.

Flail Shredder Tube repair service is available.

See the Flail Shredder Tube Service Bulletin in the Service & Safety section of dealer.woodssequiment.com.

SWING FLAP KITS – CENTER DRIVE SHREDDER*

Used With	Part No.	Description	Shipping Wt. (lbs.)	Suggested List Price
S25CD	1040169	Steel Swing Flap Kit	189	\$ 1,286.00
S27CD	1040170	Steel Swing Flap Kit	203	1,505.00

* Must order one Swing Flap Kit with each shredder (Dealer Installed).

Prices and specifications subject to change without notice.
 Prices effective January 1, 2021. Supersedes all previous pricing.
 Woods reserves the right to limit quantities and apply surcharges at any time.

FLAIL SHREDDERS

Center Drive Flail Shredder with Four Casters (Continued)

COMPLETING KIT FOR LIFT SHREDDERS:

Completing kit must be ordered with each shredder. The completing kit contains the 3-point hitch, the PTO shaft and caster arm weldments (**less wheel rims and tires**). This kit also contains the parking stands, ratchet jack, safety lights and related hardware.

Part No.	Description	Shipping Wt. (lbs.)	Suggested List Price
1041886	3-point hitch, 1-3/4" PTO with automatic clutch ¹ , 2 front casters and 2 rear casters, safety lights, includes end tow kit	1919	\$ 16,597.00

¹ This kit contains an automatic clutch that disengages at 30,000 in-lbs and doesn't have wear parts or create heat. Only available for 1-3/4-20 PTO's.

NOTE: Extended length PTO shafts are to be used if the horizontal measured distance from the end of the tractor output shaft to the lower link hitch point (including Quick Hitch, if used) exceeds 28". Measure distance with lower 3-point arms in the level or horizontal position. Call Woods® Tech Service for extended length PTO's.

TIRES

Part No.	Description	Shipping Wt. (lbs.)	Suggested List Price
1040995	11L x 15 Implement Tire, Tube and Wheel (Assembled)	60	\$ 335.00
1010081	9.5L x 15 Implement Tire, Tube and Wheel (Assembled)	62	316.00
1017030	Used Aircraft Tire and Rim, 29 x 9 x 15 (Recommended on S30CD)	75	344.00

ACCESSORIES

Part No.	Description	Shipping Wt. (lbs.)	Suggested List Price
1022670	Anti-Push Skid Plate Kit	65	\$ 431.00
1024120	Hydraulic Center Cutter Kit (Cuts center strip) – 28 GPM; 3000 PSI max.	125	3,335.00

Prices and specifications subject to change without notice.
 Prices effective January 1, 2021. Supersedes all previous pricing.
 Woods reserves the right to limit quantities and apply surcharges at any time.

**PRICING DOES NOT INCLUDE
CURRENT SURCHARGE AMOUNT**

TABLE OF CONTENTS

Rear-Mount and Rear Discharge Mowers **FM2 – FM4**

- TurfKeeper™ Standard-Duty Rear-Mount, Rear Discharge – 60- and 72-inch FM2
- TurfKeeper Pro™ Premium Rear-Mount, Rear Discharge – 60-, 72- and 84-inch FM3
- Heavy-Duty Three-Spindle Rear-Mount – 90-inch (RD990X) FM4

Turf Batwing® Rear Discharge Mowers **FM5 – FM6**

- 12.5-foot Wide Area Estate Finish Mower FM5
- 12-, 15- and 17-foot Commercial Rear Discharge Mowers FM6

NOTE: All gearbox horsepower ratings listed in the following specifications are based on Woods' field testing.

PRICING DOES NOT INCLUDE
CURRENT SURCHARGE AMOUNT

REAR-MOUNT, REAR DISCHARGE FINISH MOWERS
TurfKeeper™ Standard-Duty Finish Mowers – TK60.20, TK72.20

FEATURES:

- Limited Category 1, 3-point hitch (TK60.20) for subcompact tractors
- Category 1, 3-point hitch
- Quick Hitch compatible
- 60- & 72-inch cutting width, each with 3 blade spindles
- 540 PTO drive with “B” section **Kevlar®** V-belt driven spindles with automatic tension adjustment
- Safety shielded Category 2 driveline
- Blade tip speed:
17,900 fpm (TK60.20), 18,000 fpm (TK72.20)
- Optional chain shielding attaches and detaches easily ◀ **EXCLUSIVE FEATURE**
- Heavy-duty frame design for increased deck strength ◀ **EXCLUSIVE FEATURE**
- Height control: 1-1/2 – 5 inches
- Maintenance-free cast iron spindles ◀ **EXCLUSIVE FEATURE**
- Recommended tractor PTO horsepower:
15 – 35 hp (TK60.20),
20 – 35 hp (TK72.20)
- Gearbox horsepower rating: 35 hp
- Limited gearbox warranty:
3-year residential, ◀ **EXCLUSIVE FEATURE**
1-year commercial



CAUTION: V models listed below pass all applicable safety standards for thrown object and blade contact. However, if the unit will be used in areas where the possibility of thrown objects could be hazardous to persons or property, it is strongly recommended that optional chain shielding (W models) be used for extra protection.

Model No.	Width (in.)	Gauge Wheels	Chain Shielding	Woods® Orange Part No.	Green ¹ Part No.*	Orange ² Part No.*	Shipping Wt. (lbs.)	Suggested List Price
TK60.20W	60	Solid Rubber	Yes	621080W	621080JDW	621080KOW	581	\$ 3,292.00
TK60.20V	60	Solid Rubber	No	621080	621080JD	621080KO	562	3,163.00
TK72.20W	72	Solid Rubber	Yes	621081W	621081JDW	621081KOW	638	3,563.00
TK72.20V	72	Solid Rubber	No	621081	621081JD	621081KO	615	3,419.00

* Painted colors to match ¹ Green and ² Orange tractors.

ACCESSORIES

Part No.	Used On	Description	Shipping Wt. (lbs.)	Suggested List Price
616079	All Models	Front Roller Kit, complete	8	\$ 118.00
618210	All Models	Rear Roller Kit, complete	4	73.00
616077	TK60.20	Rear Chain Shield Kit	19	137.00
616076	TK72.20	Rear Chain Shield Kit	23	154.00
1023325	All Models	TQH1 Category 1 Quick Hitch	79	364.00
S14114400	All Models	Category 1 Quick Hitch Bushing Kit	4	28.00

Prices and specifications subject to change without notice.
 Prices effective March 11, 2021. Supersedes all previous pricing.
 Woods reserves the right to limit quantities and apply surcharges at any time.

REAR-MOUNT, REAR DISCHARGE FINISH MOWERS

TurfKeeper Pro™ Premium Finish Mowers – TKP60.40, TKP72.40, TKP84.40

FEATURES:

- Limited Category 1, 3-point hitch (TKP60.40)
- Category 1, 3-point hitch (All Models)
- Quick Hitch ready from the factory ◀ **EXCLUSIVE FEATURE**
- 60-, 72- & 84-inch cutting width, each with 3 blade spindles
- 7-gauge heavy-duty deck
- Cast iron spindle sheaves
- Ductile iron blade spindles ◀ **EXCLUSIVE FEATURE** with triple ball bearings
- “B” size Aramid V-belt ◀ **EXCLUSIVE FEATURE** with clutching cover
- Belt adjustment – spring loaded idler ◀ **EXCLUSIVE FEATURE** with replaceable bearing pivot
- 4” x 10” caster wheels on all models ◀ **EXCLUSIVE FEATURE**
- Safety shielded Category 3 driveline

- Optional chain shielding ◀ **EXCLUSIVE FEATURE** attaches and detaches easily
- Cutting height range: 1.5 to 5 inches (All Models)
- Blade tip speed: 18,000 fpm (TKP60.40), 18,100 fpm (TKP72.40 & TKP84.40)
- Recommended tractor horsepower: 15 – 50 PTO hp (TKP60.40), 20 – 50 PTO hp (TKP72.40), 25 – 50 PTO hp (TKP84.40)
- Gearbox horsepower rating: 60 hp ◀ **EXCLUSIVE FEATURE**
- Limited warranty: 3-year blade spindle, 6-year gearbox



CAUTION: Base models listed below pass all applicable safety standards for thrown objects and blade contact. However, if the unit will be used in areas where the possibility of thrown objects could be hazardous to persons or property, it is strongly recommended that optional chain shielding (W models) be used for extra protection.

Model No.	Width (in.)	Gauge Wheels	Chain Shielding	Woods® Orange Part No.	Green ¹ Part No.*	Orange ² Part No.*	Shipping Wt. (lbs.)	Suggested List Price
TKP60.40W	60	Solid Rubber	Yes	621082W	621082JDW	621082KOW	729	\$ 4,450.00
TKP60.40	60	Solid Rubber	No	621082	621082JD	621082KO	710	4,321.00
TKP72.40W	72	Solid Rubber	Yes	621083W	621083JDW	621083KOW	802	4,636.00
TKP72.40	72	Solid Rubber	No	621083	621083JD	621083KO	779	4,490.00
TKP84.40W	84	Solid Rubber	Yes	621084W	621084JDW	621084KOW	925	5,250.00
TKP84.40	84	Solid Rubber	No	621084	621084JD	621084KO	898	5,075.00

* Painted colors to match ¹ Green and ² Orange tractors.

ACCESSORIES

Part No.	Used On	Description	Shipping Wt. (lbs.)	Suggested List Price
616079	All Models	Front Roller Kit, complete	8	\$ 118.00
618210	All Models	Rear Roller Kit, complete	4	73.00
616077	TKP60.40	Rear Chain Shield Kit	19	137.00
616076	TKP72.40	Rear Chain Shield Kit	23	154.00
616078	TKP84.40	Rear Chain Shield Kit	26	179.00
1023325	All Models	TQH1 Category 1 Quick Hitch	79	364.00

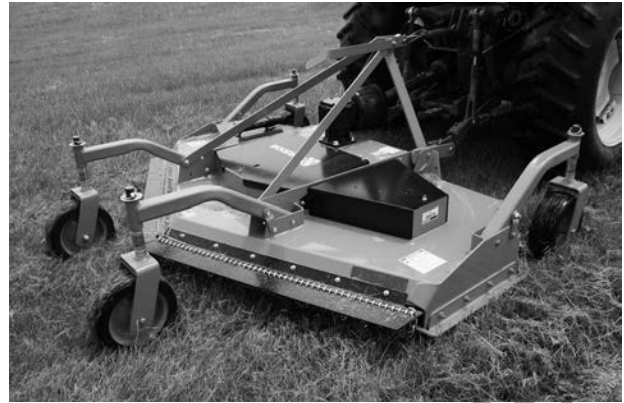
Prices and specifications subject to change without notice.
 Prices effective May 17, 2021. Supersedes all previous pricing.
 Woods reserves the right to limit quantities and apply surcharges at any time.

REAR-MOUNT, REAR DISCHARGE FINISH MOWERS

Heavy-Duty, Three-Spindle Finish Mowers – RD990X

FEATURES:

- Category 1 & 2, 3-point hitch
- Quick Hitch compatible
- 7-1/2-foot (90-inch) cutting width with 3 blade spindles
(2 free-swinging blades/spindle)
- 540 PTO drive with double V-belt driven spindles with automatic tension
- Heavy-duty Category 4 driveline
- Tapered roller bearings in caster wheels
- 1.5- to 7-inch cutting height range
- 75 hp gearbox with 17,000 fpm blade tip speed
- Replaceable skid shoes
- 7.25-inch side frame depth
- Recommended tractor horsepower: 45 – 75 hp
- 6-year limited gearbox warranty
- 3-year spindle warranty



WARNING: FRONT AND REAR SAFETY CHAIN SHIELDING is standard equipment and is included in the list price. Chain shielding must be used for all non-agricultural uses and in areas where the possibility of thrown objects could be hazardous to persons or property.

Model No.	Woods® Orange Part No.	Green Part No.*	Description	Shipping Wt. (lbs.)	Suggested List Price
RD990XW	1032835	1032835JD	90" Cutting Width includes front and rear safety chain shielding and 13 x 5 x 10 solid rubber front and rear gauge wheels.	1210	\$ 7,121.00
RD990XPW	1032835P	1032835JDP	90" Cutting Width includes front and rear safety chain shielding and 13 x 5.00-6 pneumatic tires in lieu of the standard solid tires.	1186	7,121.00

* Painted to match Green tractors.

NOTE: If tractor weight is less than 1800 pounds, front counterweight is recommended.

ACCESSORIES

Part No.	Used On	Description	Shipping Wt. (lbs.)	Suggested List Price
1032828	RD990X	Front Center Roller Kit	12	\$ 148.00
1023325	RD990X	TQH1 Category 1 Quick Hitch	79	364.00
1032830	RD990X	RD990X Quick Hitch Kit (Required for Category 1 or 2 Quick Hitch)	31	228.00

Prices and specifications subject to change without notice.
 Prices effective January 1, 2021. Supersedes all previous pricing.
 Woods reserves the right to limit quantities and apply surcharges at any time.

REAR DISCHARGE FINISH MOWERS: WIDE AREA ESTATE FINISH MOWER

12.5-foot Turf Batwing® – TBW150C

FEATURES:

Shipped Assembled

540 rpm, safety shielded Category 3, CV input driveline

Safety shielded Category 3 wing drivelines

10 ea. 10 x 4 solid rubber gauge wheels

2 ea. 20 x 9 non-highway speed rated transport tires or
2 ea. 20.5 x 8 highway speed rated transport tires

3 ea. standard ag hydraulic cylinders on single circuit

Automatic transport locks – hydraulic unlock option

100 hp splitter gearbox, 35 hp mower deck gearboxes

Rear discharge decks:

Tapered deck design ◀ **EXCLUSIVE FEATURE**

Rear box deck frame design for increased deck strength ◀ **EXCLUSIVE FEATURE**

Cast iron spindles with greasable ball bearings

Three anti-scalp rollers at rear corners and front center on each deck

Angle operating range: 20 degrees up / 15 degrees down

16,200 fpm blade tip speed

1- to 4.5-inch cutting height range

Recommended tractor horsepower: 25 – 60 hp

Optional chain shielding – attaches and detaches easily

1-year residential and 3-month commercial warranty

3-year residential limited gearbox warranty; 1-year commercial



WARNING: The TBW150C mower passes all applicable safety standards for thrown objects and blade contact. However, if the unit will be used in areas where the possibility of thrown objects could be hazardous to persons or property, it is strongly recommended that optional chain shielding be used for extra protection.

Model No.	Width (ft.)	Transport Wheels	Woods® Orange Part No.	Green Part No.*	Shipping Wt. (lbs.)	Suggested List Price
TBW150C	12.5	Non-Highway Rated	1029480	1029480JD	2035	\$ 16,682.00
TBW150C	12.5	Highway Rated	1029480H	1029480JDH	2053	16,872.00

* Painted to match Green tractors.

ACCESSORIES

Part No.	Description	Qty. Required Per Model	Shipping. Wt. Ea. (lbs.)	Suggested List Price
1029535	Hydraulic Wing Latch Release Kit	1	73	\$ 642.00
1008038	Rear Chain Shielding	3	16	112.00
1029530	Mulch Kit	3	31	334.00
1031385	Light Kit	1	16	584.00

Prices and specifications subject to change without notice.
Prices effective January 1, 2021. Supersedes all previous pricing.
Woods reserves the right to limit quantities and apply surcharges at any time.

COMMERCIAL REAR DISCHARGE FINISH MOWERS

12-, 15- and 17-foot Turf Batwing® – TBW144, TBW180, TBW204

FEATURES:

Shipped Assembled

- 540 rpm, safety shielded Category 4, CV input driveline
- Safety shielded Category 3 wing drivelines
- 10 ea. 15x6-6 gauge wheels (TBW144)
- 10 ea. 18x9.50-8 gauge wheels (TBW180 & TBW204)
- 2 ea. 20.5 x 8 load range "D" highway service transport tires
- 3 ea. standard ag hydraulic cylinders on single circuit
- Automatic transport locks
- Safety chain shielding standard equipment
- 100 hp splitter gearbox, 75 hp mower deck gearboxes

Woods® premier rear discharge decks:

- Tapered deck design ◀ **EXCLUSIVE FEATURE**
- Rear box deck frame design for increased deck strength ◀ **EXCLUSIVE FEATURE**
- Tapered lock bushing cast iron spindle sheaves ◀ **EXCLUSIVE FEATURE**

- Angle operating range: 25 degrees up / 22 degrees down
- 18,000 fpm blade tip speed
- 1- to 5-inch cutting height range



TBW144: 30 – 80 hp, Category 1 drawbar, 1.06-inch dia. hole
 TBW180: 35 – 80 hp, Category 2 drawbar, 1.31-inch dia. hole
 TBW204: 40 – 80 hp, Category 2 drawbar, 1.31-inch dia. hole
 6-year limited gearbox warranty
 3-year limited spindle warranty

Model No.	Part No.	Woods® Orange Part No.	Green Part No.*	Shipping Wt. (lbs.)	Suggested List Price
TBW144	1033112	1033112	1033112JD	3000	\$ 21,103.00
TBW180	1033115	1033115	1033115JD	3325	23,161.00
TBW204	1033117	1033117	1033117JD	3500	25,816.00

* Painted to match Green tractors.

HITCH ACCESSORY

Part No.	Used On	Description	Shipping Wt. (lbs.)	Add
1003635	All models	Fixed clevis without floating feature	11	▲

ACCESSORIES

Part No.	Used On	Description	Qty. Required Per Model	Shipping Wt. Ea. (lbs.)	Suggested List Price
1006421	TBW144	Front Roller Kit, wing decks	1	20	\$ 179.00
1006417	TBW144	Front Roller Kit, rear deck	1	8	93.00
1006417	TBW180	Front Roller Kit	3	8	93.00
1006417	TBW204	Front Roller Kit	3	8	93.00
1031818	All Models	Rear Roller Kit	3	4	93.00
1032454	All Models	Hydraulic Wing Latch Release Kit	1	38	588.00
1004111	All Models	RD Skid Shoe Kit: All Models (2 skid shoes per kit)	1 – 3	16	174.00
1031385	All Models	Safety Light Kit: For roadway transport	1	16	584.00
1004116	All Models	Anti-Streak Kit	1	10	131.00
603021	TBW180 & TBW204	Deck Overlap Kit	1	74	266.00

MULCHING KITS

Part No.	Used On	Description	Qty. Required Per Model	Shipping Wt. (lbs.)	Suggested List Price
1019430	15' – TBW180	Mulching Kit, complete (For 5' Deck)	2 (TBW180)	42	\$ 341.00
1019431	15' – TBW180 17' – TBW204	Mulching Kit, complete (For 6' Deck)	1 (TBW180) 3 (TBW204)	48	384.00

▲ Please refer to the Woods Genuine Parts program and price list for discount and price at <http://dealer.woodsequipment.com>.

Prices and specifications subject to change without notice.
 Prices effective January 1, 2021. Supersedes all previous pricing.
 Woods reserves the right to limit quantities and apply surcharges at any time.

TABLE OF CONTENTS

FZ22-2 Front-Mount Mower, Attachments & Accessories ZT2 – ZT3

 FZ22-2 Front-Mount Mower ZT2

 FZ22-2 Attachments & Accessories ZT3

FZ27/FZ25D Front-Mount Commercial Mowers, Attachments & Accessories ZT4 – ZT6

 FZ27/FZ25D Front-Mount Commercial Mowers ZT4

 FZ27/FZ25D Attachments & Accessories ZT5 – ZT6

**PRICING DOES NOT INCLUDE
CURRENT SURCHARGE AMOUNT**

ZERO-TURN MOWERS

FZ22-2 Front-Mount Zero-Turn Mower

FZ22-2 Front-Mount Mower FEATURES:

Power Unit

- 22 hp Kawasaki V-Twin engine
- Hydro-gear transaxle, model ZT3400
- Large 23" drive tires: Turf or Chevron
- Premium, adjustable suspension seat with adjustable armrests
- Strong, powerful, durable shaft drive runs mower decks and attachments
- Fuel capacity: 8.5 gallons; cup holder in tank
- Maximum speed: 9 mph
- Folding Rollover Protection System (ROPS) standard
- Hour meter helps to identify maintenance intervals

MX Mower Deck

- MX V-Baffle™ 5" deep decks offer precise, manicured cut: 1" – 5" cut height
- PowerTilt™ decks – includes electric height adjustment; power switch mounted on tractor console
- TrueFloat Deck Suspension
- Warranty: 2-year or 2,000 hour – whichever occurs first



To order a complete mower below, you must order from Sections 1 – 4. Include a Power Unit, Mower Deck, Pair of Drive Tires and Tail Wheel.

SECTION 1: Power Unit – Select

Model No.	Part No.	Description	Shipping Wt. (lbs.)	Suggested Retail Price	List Price
FZ22-2	78801	22 hp Kawasaki V-Twin Engine	850	\$ 8,103.00	\$ 9,003.00

SECTION 2: Mower Deck – Select

MX61T ^{1, 2}	78761	61" TrueFloat Deck with PowerTilt – with power height adjustment & tilt; switch on tractor	563	3,578.00	\$ 3,975.00
-----------------------	-------	--	-----	----------	-------------

1. Vacuum not available on MX61T when mounted to FZ22-2
2. Optional weight kit 78727 is recommended on 61" decks

SECTION 3: Drive Tires – Select One Pair

Part No.	Description	No. Req'd			
W73955	Turf Tread Drive Tire and Wheel (23x10.5-12) – price each	2	32	\$ 185.00	\$ 205.00
74093	Chevron Tread Drive Tire and Wheel (23x10.5-12) – right side	1	28	185.00	205.00
74097	Chevron Tread Drive Tire and Wheel (23x10.5-12) – left side	1	28	185.00	205.00

SECTION 4: Tail Wheel Kit – Select One

78072	Wide Stance Dual Tail Wheel Kit – two wheels included (Required with grass collection system)	67	\$ 545.00	\$ 606.00
78072F	Wide Stance Dual Tail Wheel Kit – two wheels included, foam-filled tires	108	723.00	803.00

See Attachments and Accessories for FZ22-2 Mower on the following page.

Prices and specifications subject to change without notice.
 Prices effective January 1, 2021. Supersedes all previous pricing.
 Woods reserves the right to limit quantities and apply surcharges at any time.

ZERO-TURN MOWERS

FZ22-2 Front-Mount Zero-Turn Mower Attachments & Accessories



GRASS COLLECTION SYSTEM



CHEVRON TREAD TIRE

DISCONTINUED
LIMITED QUANTITIES

Grass Collection System for model FZ22-2

Part No.	Description	Shipping Wt. (lbs.)	Suggested Retail Price	List Price
78749	Hopper FZ, 15 cu. ft.	207	\$ 1,794.00	\$ 1,993.00
78750	Hopper mount, FZ22-2	53	301.00	334.00
75167	Vacuum unit for MX61™ deck	104	1,562.00	1,736.00

NOTES: Grass collection system requires (1) hopper (78749), (1) mount (78750) and a vacuum unit (75167). Counterweights are NOT necessary. Dual tail wheel is required for grass collection system.

Sunshade

A11319	Cozy Cab Sunshade – gray plastic with steel frame, folding – extends 40" in front of ROPS, fits 31" – 40-3/4" width. (Drop ship from factory, must ship commercial.) ROPS required.	45	\$ 590.00	\$ 655.00
--------	---	----	-----------	-----------

Accessories

W73955	Turf Tread Drive Tire and Wheel (23x10.5-12) – price each	32	\$ 185.00	\$ 205.00
74093	Chevron Tread Drive Tire and Wheel (23x10.5-12) – right side	28	185.00	205.00
74097	Chevron Tread Drive Tire and Wheel (23x10.5-12) – left side	28	185.00	205.00
78727	Weight Kit for FZ22-2	108	239.00	266.00

Blades (3 Blades per Kit)

Part No.	Used On	Description	Qty. Used	Shipping Wt. (lbs.)	List Price
1001513KT	MX61T	21" High Suction Blade (Standard)	1 kit	11	▲
55319KT	MX61T	21" Medium Suction Blade	1 kit	11	▲
75150KT	MX61T	21" Mulching Blade	1 kit	10	▲

▲ Please refer to the Woods Genuine Parts program and price list for discount and price at <http://dealer.woodsequipment.com>.

Prices and specifications subject to change without notice.
Prices effective January 1, 2021. Supersedes all previous pricing.
Woods reserves the right to limit quantities and apply surcharges at any time.

ZERO-TURN MOWERS

FZ27/FZ25D Front-Mount Zero-Turn Commercial Mowers

FZ27/FZ25D Front-Mount Mower FEATURES:

- MX V-Baffle™ 5" deep decks offer precise, manicured cut: 1" – 5" cut height
- Optional PowerTilt™ decks – includes electric height adjustment; power switch mounted on tractor console
- Independent hydrostatic 14cc pumps and Parker wheel motors
- Strong, powerful, durable shaft drive runs mower decks and attachments
- Premium, adjustable suspension seat with armrests and fold-down back
- Fuel capacity: 11 gallons for FZ25D; 8.5 gallons for FZ27; cup holder in tank
- Maximum speed: 12 mph for FZ25D; 10 mph for FZ27
- Large 23x10.5-12 drive tires and large anti-wobble 15x6.0-6 dual caster wheels
- Choice of Turf tires, High-Traction tires, or Chevron tires
- Engine cover directs heat and noise away from operator – keeps engine cleaner
- Rollover Protection System (ROPS) standard
- Hour meter helps to identify maintenance intervals
- Warranty: 2-year or 2,000 hour – whichever occurs first
- Optional Attachment:** Grass Collection System



SHOWN WITH
MX61™ DECK

To order a complete mower, you must include a Tractor Power Unit and a Mower Deck. Tractor is supplied complete with Dual Tail Wheel and 50 lb. Weight Kit, assembled. (Weight kit not included on diesel.)

Power Units² with Drive Tires – *Select One*

Model No.	Part No.	Description ¹	Drive Tires	Shipping Wt. (lbs.)	Suggested Retail Price	List Price
FZ27-T	603781	27 hp Kohler® V-Twin Engine	Turf	1148	\$ 12,668.00	\$ 14,075.00
FZ27-B	603782	27 hp Kohler V-Twin Engine	Chevron	1141	12,668.00	14,075.00
FZ25D-T	96367	25 hp Kubota® 3 Cyl. Liquid-Cooled Diesel Engine	Turf	1195	15,687.00	17,430.00
FZ25D-B	96368	25 hp Kubota 3 Cyl. Liquid-Cooled Diesel Engine	Chevron	1188	15,687.00	17,430.00

1. Horsepower shown is based on rating by the engine manufacturer.
2. **PowerTilt™** switch on console – prewired for deck. Use specific MX-T deck below.

Mower Decks – *Select One*

Model No.	Part No.	Used On	Description	Shipping Wt. (lbs.)	Suggested Retail Price	List Price
MX61T	78761	All	61" TrueFloat Deck with PowerTilt™ – with power height adjustment & tilt; switch on tractor	563	\$ 3,578.00	\$ 3,975.00
MX61	78198	All	61" Manual Deck	558	3,223.00	3,581.00

See Attachments and Accessories for FZ25D Mowers on the following pages.

Prices and specifications subject to change without notice.
Prices effective January 1, 2021. Supersedes all previous pricing.
 Woods reserves the right to limit quantities and apply surcharges at any time.

ZERO-TURN MOWERS

FZ27/FZ25D Front-Mount Zero-Turn Commercial Mower Attachments & Accessories



GRASS COLLECTION SYSTEM



CHEVRON TREAD TIRE

DISCONTINUED
LIMITED QUANTITIES

Grass Collection System for FZ27/FZ25D

Part No.	Description	Shipping Wt. (lbs.)	Suggested Retail Price	List Price
78749	Hopper FZ, 15 cu. ft.	207	\$ 1,794.00	\$ 1,993.00
78759	Hopper mount, FZ25 & FZ27	29	301.00	334.00
75167	Vacuum unit for MX61™ deck	104	1,562.00	1,736.00

NOTES: Grass collection system requires (1) hopper (78749), (1) mount (78759) and a vacuum unit (75167).
Counterweights are NOT necessary.
Dual tail wheel is required for grass collection system.

Sunshade

A11319	Cozy Cab Sunshade – gray plastic with steel frame, folding – extends 40" in front of ROPS, fits 31" – 40-3/4" width. (Drop ship from factory, must ship commercial.) ROPS required.	45	\$ 590.00	\$ 655.00
--------	---	----	-----------	-----------

Accessories

74099	Mulch Kit for MX61™ and MX61T Decks	31	\$ 226.00	\$ 251.00
W73955	Turf Tread Drive Tire and Wheel (23x10.5-12) – price each	32	185.00	205.00
74093	Chevron Tread Drive Tire and Wheel (23x10.5-12) – right side	28	185.00	205.00
74097	Chevron Tread Drive Tire and Wheel (23x10.5-12) – left side	28	185.00	205.00
78072	Wide Stance Dual Tail Wheel Kit – two wheels included (Standard)	67	545.00	606.00
W70980	Counterweight Mount Kit (Standard on FZ27)	12	64.00	71.00
71512	Counterweight 50# (Requires #W70980 mount kit) – more than one may be used (See chart page ZT6)	50	119.00	132.00

Prices and specifications subject to change without notice.
Prices effective January 1, 2021. Supersedes all previous pricing.
Woods reserves the right to limit quantities and apply surcharges at any time.

ZERO-TURN MOWERS

FZ27/FZ25D Front-Mount Zero-Turn Commercial Mower Accessories (Continued)

Blades (3 Blades per Kit)

Part No.	Used On	Description	Qty. Used	Shipping Wt. (lbs.)	List Price
1001513KT	MX61/MX61T	21" High Suction Blade (Standard)	1 kit	11	▲
55319KT	MX61/MX61T	21" Medium Suction Blade	1 kit	11	▲
75150KT	MX61/MX61T	21" Mulching Blade	1 kit	10	▲

Engine Service Kit

75528	FZ25D	Kit includes engine oil filter, air filter and fuel filters		3	▲
-------	-------	---	--	---	---

Additional Counterweight Requirement Chart (Recommended additional weight to FZ mowers)

ATTACHMENT	FZ25D POWER UNITS EQUIPPED WITH ROPS
61" Mower Deck	0
Hard Plastic Sunshade	add 50# to above

NOTE: Counterweights are NOT necessary when unit is equipped with a grass catcher system.

▲ Please refer to the Woods Genuine Parts program and price list for discount and price at <http://dealer.woodsequipment.com>.

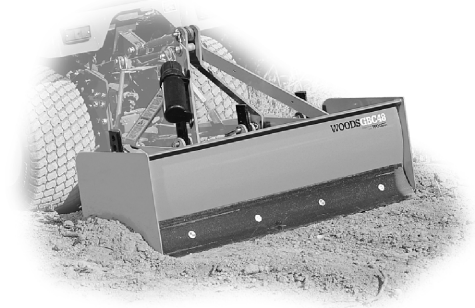
Prices and specifications subject to change without notice.
 Prices effective January 1, 2021. Supersedes all previous pricing.
 Woods reserves the right to limit quantities and apply surcharges at any time.

TABLE OF CONTENTS

Box Scrapers	LE2 – LE5
Standard-Duty	LE2 – LE3
Medium-Duty	LE4
Gannon [®] Universal Industrial Box Scrapers (Also in Construction Section)	LE5
Grading Scrapers	LE6
Disc Harrows	Refer to Tillage Equipment section, pages TE2 – TE3
Landscape Rakes	LE7
Standard-Duty	LE7
Post Hole Diggers, Augers and Accessories	LE8 – LE9
Cultipackers	LE10
Quick Hitches	LE11
Rear Blades	LE12 – LE15
Standard-Duty	LE12
50 Series	LE13
60 Series	LE14
Heavy-Duty	LE15
Rotary Tillers	Refer to Tillage Equipment section, pages TE4 – TE5
Seeders	Refer to Seeders section, pages SE1 – SE14
Stump Grinders	LE16

BOX SCRAPERS – STANDARD-DUTY**GBC48****FEATURES:**

Limited Category 1 for sub-compact tractors & Category 1
 For up to 25 hp tractors
 ASABE Quick Hitch compatible
 7-gauge end plates
 Twin 1/2-inch x 6-inch reversible, beveled, hardened cutting edges
 4 adjustable, 3-position scarifiers
 15.5-inch moldboard height



Model No.	Part No.	Width (in.)	Heaped Cap. (cu. ft.)	Qty. of Shanks	Product Wt. (lbs.)	Shipping Wt. per Crate (lbs.)	Suggested List Price
GBC48	GBC48	48	6.8	4	285	317	\$ 1,118.00

COLOR CODES (Standard color is Woods® orange)*

Code	Color*
BLK	Black
JD	Green

* When ordering your box scraper, use the part number for the size ordered - then add color code to the end of part number.
 For example: A green GBC48 part number is GBC48JD.

ACCESSORIES

Part No.	Description	Shipping Wt. (lbs.)	Suggested List Price
1004653	Category 1, Quick Hitch Bushing Kit	2	\$ 67.00
1009297	Owners Manual Tube Kit	1	31.00
1023325	TQH1 Category 1 Quick Hitch (includes bushings)	79	364.00

Prices and specifications subject to change without notice.
 Prices effective January 1, 2021. Supersedes all previous pricing.
 Woods reserves the right to limit quantities and apply surcharges at any time.

BOX SCRAPERS – STANDARD-DUTY

BSS54P, BSS60P, BSS65P, BSS72P

FEATURES:

- Category 1 hitch; Heavy plate A-frame; Clevis-style hitch
- Colors to match most tractor brands
- For tractors up to 45 engine horsepower
- ASABE Quick-Hitch compatible
- 3/8-inch end plates
- 1/2-inch x 6-inch reversible, beveled, hardened cutting edges
- High strength steel construction
- Replaceable hardened point and scarifiers
- Three position scarifiers: 0, 1.5" and 3" depths
- Shank holders for improved scarifier tube strength
- Robotically welded for superior durability



Model No.	Part No.	Width (in.)	Heaped Cap. (cu. ft.)	Qty. of Shanks	Product Wt. (lbs.)	Shipping Wt. (lbs.)	Suggested List Price
BSS54P	102905054	54	10.3	4	486	509	\$ 1,276.00
BSS60P	102905060	60	11.5	5	514	547	1,333.00
BSS65P	102905065	65	12.5	5	528	567	1,419.00
BSS72P	102905072	72	13.8	6	551	609	1,537.00

COLOR CODES (Standard color is Woods® orange)*

Code	Color*
BLK	Black
JD	Green
KO	Orange

* When ordering your box scraper, use the part number for the size ordered - then add color code to the end of part number. For example: A green BSS54P part number is 102905054JD.

ACCESSORIES

Part No.	Description	Product Wt. (lbs.)	Shipping Wt. (lbs.)	Suggested List Price
1023325	TQH1 Category 1 Quick-Hitch (includes bushings)	75	79	\$ 364.00
1003832	Quick-Hitch Bushing Adapter Kit, Category 1/2	2	2	169.00

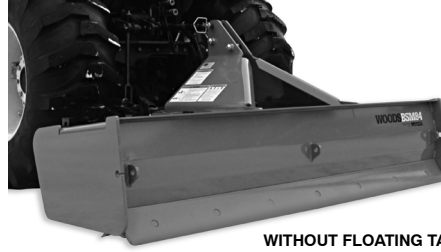
Prices and specifications subject to change without notice.
 Prices effective January 1, 2021. Supersedes all previous pricing.
 Woods reserves the right to limit quantities and apply surcharges at any time.

BOX SCRAPERS – MEDIUM-DUTY

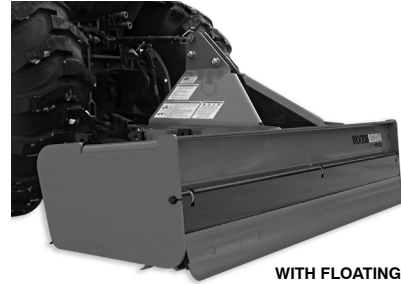
BSM72P, BSM84P

FEATURES:

- Category 1 & 2 hitch; Heavy plate A-frame; Clevis-style hitch
- Colors to match most tractor brands
- For tractors up to 65 engine horsepower
- ASABE Quick-Hitch compatible
- 1/2-inch end plates with wear plates; 33% heavier than BSS
- 1/2-inch x 6-inch reversible, beveled, hardened cutting edges
- 1/4-inch steel moldboard; 39% heavier than BSS
- High strength steel through-out
- Replaceable hardened point and scarifiers
- Three position scarifiers: 0, 1.5" and 3" depths
- Shank holders for improved scarifier tube strength
- Robotically welded for superior durability
- Optional** floating tailgate for improved grading capability



WITHOUT FLOATING TAILGATE



WITH FLOATING TAILGATE

Model No.	Part No.	Width (in.)	Heaped Cap. (cu. ft.)	Qty. of Shanks	Product Wt. (lbs.)	Shipping Wt. (lbs.)	Suggested List Price
BSM72P	102907072	72	13.8	6	680	777	\$ 1,707.00
BSM84P	102907084	84	16.2	7	750	796	1,893.00

COLOR CODES (Standard color is Woods® orange)*

Code	Color*
BLK	Black
JD	Green
KO	Orange

* When ordering your box scraper, use the part number for the size ordered - then add color code to the end of part number.
For example: A black BSM72P part number is 102907072BLK.

ACCESSORIES

Part No.	Description	Product Wt. (lbs.)	Shipping Wt. (lbs.)	Suggested List Price
1023325	TQH1 Category 1 Quick-Hitch (includes bushings)	75	79	\$ 364.00
595409	TQH2 Category 2 HD Quick-Hitch (includes bushings)	170	170	809.00
1003832	Quick-Hitch Bushing Adapter Kit, Category 1/2	2	2	169.00
102910572	BSM72 Tailgate Kit (uses cutting edge from BSM)	60	60	219.00
102910584	BSM84 Tailgate Kit (uses cutting edge from BSM)	62	69	246.00

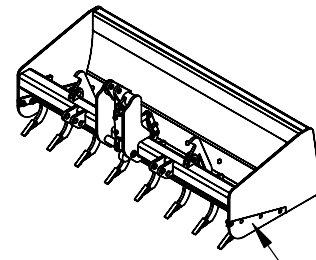
Prices and specifications subject to change without notice.
Prices effective January 1, 2021. Supersedes all previous pricing.
Woods reserves the right to limit quantities and apply surcharges at any time.

GANNON® UNIVERSAL INDUSTRIAL SCRAPERS

Heavy-Duty Hydraulic Scarifiers – 4x4 and 4x2

FEATURES:

- | | |
|---|--|
| Hydraulic operating scarifier bar | Maxi-load moldboard front & rear, more load – less drag |
| Category 2 hitch | Adjustable scarifier shanks for chipping or deep scarifying |
| Full back moldboard for strength (4x4) | Replaceable, heat-treated scarifier teeth |
| Hinged, adjustable tailgate for fine or heavy grading (4x2) | “High Riser” scarifier bar keeps teeth clear of debris and permits clear view of cutting edges |
| High back and low back models (4x2) | Double-beveled, reversible, interchangeable cutting edges |
| Large capacity box, no gussets or obstructions | |



Bolt-On Replaceable Wear Bit (HSD models), Part # KIT32 ▲

Gannon Box Scraper Discounts Apply.

4x4 HSD Universal Hydraulic Scraper (with Replaceable End Plate Wear Bits) – 2 & 4 Wheel Drive for 40 to 90 hp Tractors

Part No.*	Normal Width (in.)	Shipping Wt. (lbs.)	Number Shanks	Hitch Category 1, 3	Standard Reversible Edge	Suggested List Price 2
HD24472HSD	72	1225	8	Cat. 2	1/2 x 6	\$ 6,011.00
HD24476HSD	76	1279	8	Cat. 2	1/2 x 6	6,140.00
HD24480HSD	80	1334	8	Cat. 2	1/2 x 6	6,210.00
HD24484HSD	84	1321	8	Cat. 2	1/2 x 6	6,454.00
HD24488HSD	88	1427	8	Cat. 2	1/2 x 6	6,889.00
HD24492HSD	92	1462	8	Cat. 2	1/2 x 6	6,991.00
HD24496HSD	96	1551	8	Cat. 2	1/2 x 6	7,196.00

4x2 Universal Hydraulic Scraper – 2 Wheel Drive for 40 to 80 hp Tractors

Part No.*	Description	Normal Width (in.)	Shipping Wt. (lbs.)	Number Shanks	Hitch Category 1	Standard Reversible Edge	Suggested List Price 2
HD24265LB	Low Back	65	965	6	Cat. 1 & 2	1/2 x 6	\$ 5,099.00
HD24265HB	High Back	65	1060	6	Cat. 1 & 2	1/2 x 6	5,150.00
HD24272LB	Low Back	72	1042	8	Cat. 1 & 2	1/2 x 6	5,190.00
HD24272HB	High Back	72	1140	8	Cat. 1 & 2	1/2 x 6	5,235.00
HD24276LB	Low Back	76	1080	8	Cat. 1 & 2	1/2 x 6	5,381.00
HD24276HB	High Back	76	1180	8	Cat. 1 & 2	1/2 x 6	5,421.00
HD24280LB	Low Back	80	1079	8	Cat. 1 & 2	1/2 x 6	5,510.00
HD24280HB	High Back	80	1173	8	Cat. 1 & 2	1/2 x 6	5,619.00
HD24284HB	High Back	84	1214	8	Cat. 1 & 2	1/2 x 6	5,720.00

1 Pin kit required to connect scraper to tractor 3-point hitch, see below.

2 Price does not include pin kit, hose kit or operating valve.

3 Category 1 available by request.

* Please specify color suffix when ordering.

Available colors: Black (BLK), Case® Gray (CGR), John Deere® Yellow (JDY), Kubota® Orange (KO2).

Pin Kits

Part No.	ASABE Hitch Category	Shipping Wt. (lbs.)	Suggested List Price
H901	2	6	\$ 73.00

Hose Kits

Part No.	Tractor Model	Shipping Wt. (lbs.)	Suggested List Price
KIT14	John Deere 5200, 5300, 5400	0	\$ 56.00
KIT17	Case 570LXT	0	90.00
KIT26	John Deere 110	2	106.00
KIT28	Case 570MXT	0	56.00

▲ Please refer to the Woods Genuine Parts program and price list for discount and price at <http://dealer.woodsequipment.com>.

Prices and specifications subject to change without notice.
 Prices effective January 1, 2021. Supersedes all previous pricing.
 Woods reserves the right to limit quantities and apply surcharges at any time.

GRADING SCRAPERS – STANDARD- & MEDIUM-DUTY

GSS54, GSS60, GSS72, GSM84, GSM96

FEATURES:

Limited Category 1 & Category 1, 3-point hitch (GSS54)

Category 1, 3-point hitch (GSS60 & GSS72)

Category 1 & 2, 3-point hitch (GSM84 & GSM96)

Tractor engine horsepower:

GSS54: 15 – 30 hp

GSS60 & GSS72: 20 – 45 hp

GSM84 & GSM96: 30 – 65 hp

Heavy-duty mast plates with Clevis style hitch

Two (2) 1/2-inch x 6-inch reversible, beveled, hardened cutting edges

Replaceable hardened points and scarifiers

Four position scarifiers

Scarifier holders for improved tube strength

ASABE Quick-Hitch compatible



GRADING SCRAPERS WITH SCARIFIERS

Model No.	Part No.	Description	Working Width (in.)	Qty. of Scarifiers	Shipping Wt. (lbs.)	Suggested List Price
GSS54P	103337554	GSS54 Grading Scraper with Scarifiers	53	4	419	\$ 1,566.00
GSS60P	103337560	GSS60 Grading Scraper with Scarifiers	59	4	550	1,735.00
GSS72P	103337572	GSS72 Grading Scraper with Scarifiers	71	5	634	1,950.00
GSM84P	103337584	GSM84 Grading Scraper with Scarifiers	83	6	722	2,198.00
GSM96P	103337596	GSM96 Grading Scraper with Scarifiers	95	6	803	2,527.00

GRADING SCRAPERS WITHOUT SCARIFIERS

Model No.	Part No.	Description	Working Width (in.)	Shipping Wt. (lbs.)	Suggested List Price
GSS54	103626554	GSS54 Grading Scraper without Scarifiers	53	385	\$ 1,317.00
GSS60	103626560	GSS60 Grading Scraper without Scarifiers	59	515	1,511.00
GSS72	103626572	GSS72 Grading Scraper without Scarifiers	71	566	1,754.00
GSM84	103626584	GSM84 Grading Scraper without Scarifiers	83	732	2,027.00
GSM96	103626596	GSM96 Grading Scraper without Scarifiers	95	755	2,346.00

COLOR CODES (Standard color is Woods® orange)*

Code	Color*
BLK	Black
JD	Green
KO	Orange

* When ordering your grading scraper, use the part number for the size ordered - then add color code to the end of part number.
For example: A green GSM84 part number is 103626584JD.

ACCESSORIES

Part No.	Description	Shipping Wt. (lbs.)	Suggested List Price
1023325	TQH1 Category 1 Quick-Hitch (includes bushings)	79	\$ 364.00
1003830	Quick-Hitch Bushing (requires 2)	1	▲

▲ Please refer to the Woods Genuine Parts program and price list for discount and price at <http://dealer.woods-equipment.com>.

Prices and specifications subject to change without notice.
Prices effective January 1, 2021. Supersedes all previous pricing.
Woods reserves the right to limit quantities and apply surcharges at any time.

LANDSCAPE RAKES – STANDARD-DUTY

LRS Series

LRS52/60/72 (BASIC) FEATURES:

Limited Category 1 & Category 1 tractors, up to 30 hp

Pivot Angle:
Forward – 5 @ 15°,
Reverse – 5 @ 15°

Pivot Bolt Diameter:
1" (grade 8)

Tines: 1" wide x 5/16" thick with 1" spacing

Tine Beam Material:
3/16" (grade 80 steel)

Optional gauge wheels and parking stand

ASABE Quick Hitch compatible



LRS72P/84P/96P (PREMIUM) FEATURES:

Category 1 tractors, 20 – 45 hp

Pivot Angle:
Forward – 5 @ 15°,
Reverse – 5 @ 15°

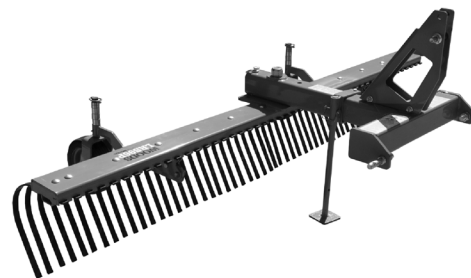
Pivot Bolt Diameter:
1-1/4" (grade 8)

Tines: 1" wide x 5/16" thick with 1" spacing

Tine Beam Material:
1/4" (grade 80 steel)

Optional gauge wheels and parking stand

ASABE Quick Hitch compatible



Model No.	Part No.	Description	Width (in.)	Shipping Wt. (lbs.)	Suggested List Price
LRS52	103735052	52" Landscape Rake (Basic) with manual angle adjustment	52	152	\$ 825.00
LRS60	103735060	60" Landscape Rake (Basic) with manual angle adjustment	60	168	890.00
LRS72	103735072	72" Landscape Rake (Basic) with manual angle adjustment	72	177	948.00
LRS72P	103735572	72" Landscape Rake (Premium) with manual angle adjustment	72	260	1,288.00
LRS84P	103735584	84" Landscape Rake (Premium) with manual angle adjustment	84	284	1,454.00
LRS96P	103735596	96" Landscape Rake (Premium) with manual angle adjustment	96	311	1,601.00

COLOR CODES (Standard color is Woods® orange)*

Code	Color*
JD	Green
KO	Orange

* When ordering your landscape rake, use the part number for the size ordered - then add color code to the end of part number. For example: An orange LRS72 part number is 103735072KO.

ACCESSORIES

Part No.	Used On	Description	Shipping Wt. (lbs.)	Suggested List Price
1037437	LRS52/60/72	Dual Gauge Wheel Kit (includes two wheels and arms)	39	\$ 317.00
1037589	LRS72P/84P/96P	Dual Gauge Wheel Kit (includes two wheels and arms)	52	314.00
1037480	LRS52/60/72	Basic Parking Stand	12	88.00
1037450	LRS72P/84P/96P	Premium Parking Stand	12	88.00
1023325	All	TQH1 Category 1 Quick Hitch (includes bushings)	79	364.00
S14114400W	All	ASABE Category 1 Quick Hitch Bushing Kit	4	26.00

Prices and specifications subject to change without notice.
Prices effective January 1, 2021. Supersedes all previous pricing.
Woods reserves the right to limit quantities and apply surcharges at any time.

POST HOLE DIGGERS – STANDARD & HEAVY-DUTY

3-Point Hitch Mechanical Drive for Tractors, PTO Driven – PD25.20, PD35.30, PD95.50

FEATURES:

PD25.20: Standard-Duty – Fits Cat 1 & Limited Cat 1 (sub-compact), 14 – 25 hp tractors

PD35.30: Standard-Duty – Cat 1, 20 – 35 hp tractors

PD95.50: Heavy-Duty – Cat 1 or Cat 2, 35 – 95 hp tractors

Positioning handle standard on all models

Shear bolt protected PTO (540 rpm), safety shields, manual tube

4 Boom positions

Optional Accessories: 6" to 24" Standard Augers, Auger Extension

6-year limited gearbox warranty



POST HOLE DIGGERS (Augers are ordered and priced separately)

Model No.	Part No.	Description	Shipping Wt. (lbs.)	Suggested List Price	Qty. of 10 List Price *
PD25.20	700250	Standard-duty post hole digger for sub-compact and compact tractors includes 2.92:1 ratio gearbox, drive shaft, boom, positioning handle, parking stand	177	\$ 1,158.00	\$ 1,100.00
PD35.30	700350	Standard-duty post hole digger includes 2.92:1 ratio gearbox, drive shaft, boom, positioning handle, parking stand	178	1,226.00	1,165.00
PD95.50	700950	Heavy-duty post hole digger includes 3:1 ratio gearbox, drive shaft, boom, positioning handle, parking stand	245	1,579.00	1,500.00

* Order 10+ units in any combination to receive an additional 5% discount.

NOTE: Standard color is Woods® Black.

AUGER FEATURES:

High carbon, alloy steel cutting teeth on all 48" augers

Spiral point helps pull auger into the ground to dig holes quickly

Replaceable cutting edges

Standard-duty augers not recommended for commercial use

Auger Part No.	Used On	Duty Class	Size (Diameter x Length)	Flighting	Shipping Wt. (lbs.)	Suggested List Price
S24054600W	PD25.20	Standard	6" x 36"	Semi-double	21	\$ 227.00
S24054700W	PD25.20	Standard	9" x 36"	Semi-double	32	254.00
S24054400W	PD25.20	Standard	12" x 36"	Semi-double	43	282.00
612862	PD35.30/PD95.50	Standard	6" x 48"	Semi-double	33	300.00
612864	PD35.30/PD95.50	Standard	9" x 48"	Semi-double	41	346.00
612865	PD35.30/PD95.50	Standard	12" x 48"	Semi-double	60	402.00
612866	PD95.50	Standard	18" x 48"	Semi-double	85	572.00
612867	PD95.50	Heavy	24" x 48"	Double	92	1,015.00

NOTE: All augers are for 2-inch outside diameter output shafts, retained by two 1/2-inch bolts 90 degrees apart for better power transfer.

RECOMMENDED AUGER USES

Standard-Duty Augers: lighter soils free of stones, roots, etc.

Heavy-Duty Double Flight Auger: loose soils that flow, such as sand or gravel – help carry soil to the surface.

Prices and specifications subject to change without notice.
 Prices effective January 1, 2021. Supersedes all previous pricing.
 Woods reserves the right to limit quantities and apply surcharges at any time.

POST HOLE DIGGERS – STANDARD & HEAVY-DUTY**3-Pt. Hitch Mech. Drive for Tractors, PTO Driven – PD25.20, PD35.30, PD95.50 (Continued)****POST HOLE DIGGER AND AUGER ACCESSORIES**

Part No.	Used On	Description	Shipping Wt. (lbs.)	Suggested List Price
1009333	All Models	12" Auger Extension with Guard (use only one extension)	20	\$ 294.00
1003831	PD35.30/PD95.50	Category 2 Bushing Kit	1	▲
1009391	All Models	Shear Bolt Kit (grade 2 hex head bolt with nuts and washers)	1	▲
S24059200	All Models	Screw Point, 36" long augers	3	▲
S24056700	All Models	Cutting Edge, 6" x 36" (2 per auger)	1	▲
S24057700	All Models	Cutting Edge, 9" x 36" outer (1 per auger)	1	▲
S24057800	All Models	Cutting Edge, 9" x 36" inner (1 per auger)	1	▲
S24058700	All Models	Cutting Edge, 12" x 36" outer (1 per auger)	1	▲
S24058800	All Models	Cutting Edge, 12" x 36" inner (1 per auger)	1	▲
S24121900	All Models	Spiral Point, 48" long augers	6	▲
S24122200	All Models	Cutting Edge, 48" long augers	1	▲

▲ Please refer to the Woods Genuine Parts program and price list for discount and price at <http://dealer.woodsequipment.com>.

Prices and specifications subject to change without notice.
Prices effective January 1, 2021. Supersedes all previous pricing.
Woods reserves the right to limit quantities and apply surcharges at any time.

CULTIPACKERS

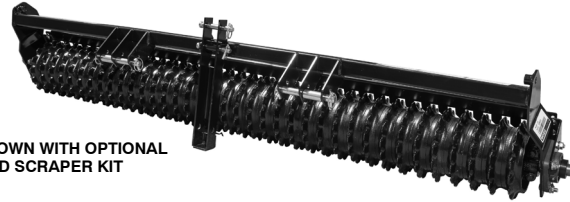
C Series

C48T FEATURES & SPECIFICATIONS:

Tractor Engine Horsepower: up to 30 hp
 Hitch Type: 2" ball pull-type
 Axle Size: 0.75"
 Cultipacker Wheel Diameter: 9.5"
 Cultipacker Wheel Quantity: 21
 Greasable, triple-sealed bearings for long product life
 Tow kit standard
 Weight rack standard

C72/C84 FEATURES & SPECIFICATIONS:

Tractor Engine Horsepower: 20 – 75 hp
 Hitch Type: 3-point Category 1 & 2
 Axle Size: 0.75"
 Cultipacker Wheel Diameter: 9.5"
 Cultipacker Wheel Quantity: C72 = 32, C84 = 37
 Greasable, triple-sealed bearings for long product life
 Tow kit optional
 Parking stand standard
 Mud scrapers optional



SHOWN WITH OPTIONAL
MUD SCRAPER KIT

SECTION 1: FRAME AND WIDTH (Factory-Installed – MUST Choose One)

Model No.	Part No.	Description	Width (in.)	Shipping Wt. (lbs.)	Suggested List Price
C48T	104077748	48" Cultipacker, pull-type	48	289	\$ 1,210.00
C72	104077072	72" Cultipacker	72	390	1,998.00
C84	104077084	84" Cultipacker	84	439	2,307.00

Note: Standard color is black.

SECTION 2: OPTIONAL ACCESSORIES (Dealer-Installed Optional Accessory)

Part No.	Used On	Description	Shipping Wt. (lbs.)	Suggested List Price
103642072	C72	72" Mud Scraper Kit	22	\$ 206.00
103642084	C84	84" Mud Scraper Kit	25	224.00

Prices and specifications subject to change without notice.
 Prices effective January 1, 2021. Supersedes all previous pricing.
 Woods reserves the right to limit quantities and apply surcharges at any time.

QUICK HITCHES

TQH1, TQH2

TQH1 FEATURES & SPECIFICATIONS:

Width: 27-1/4"
 Color: Black
 Weight: 75 lbs.
 Heavy-duty steel construction
 For Category 1 tractors with 3-point hitch
 Adjustable top link ball bracket
 7/8" mounting pins and adapter bushings
 Lower arms lock automatically
 Allows fast, easy attachment and release of implements
 Designed to ASABE Quick Hitch standard

TQH2 FEATURES & SPECIFICATIONS:

Width: 32-3/4"
 Color: Black
 Weight: 170 lbs.
 Heavy-duty steel construction
 For Category 2 tractors with 3-point hitch
 1-1/8" mounting pins and adapter bushings
 Lower arms lock automatically
 Allows fast, easy attachment and release of implements
 Designed to ASABE Quick Hitch standard



Model No.	Part No.	Description	Shipping Wt. (lbs.)	Suggested List Price
TQH1	1023325	Quick Hitch, Category 1 (fits most tractors)	79	\$ 364.00
TQH2	595409	Quick Hitch, Category 2 HD (fits most tractors)	170	809.00

ACCESSORIES

Part No.	Used On	Description	Shipping Wt. (lbs.)	Suggested List Price
S14114400W	TQH1	ASABE Category 1 Quick Hitch Bushing Kit (for additional implements)	4	\$ 26.00
S14113000	TQH2	ASABE Category 2 Quick Hitch Bushing Kit (for additional implements)	4	36.00

Prices and specifications subject to change without notice.
 Prices effective January 1, 2021. Supersedes all previous pricing.
 Woods reserves the right to limit quantities and apply surcharges at any time.

REAR BLADES – STANDARD-DUTY

RBS Series

RBS54/60/72 (BASIC) FEATURES:

Limited Category 1 & Category 1 tractors, up to 30 hp

12-inch high x 3/16-inch thick moldboard (grade 80 steel)

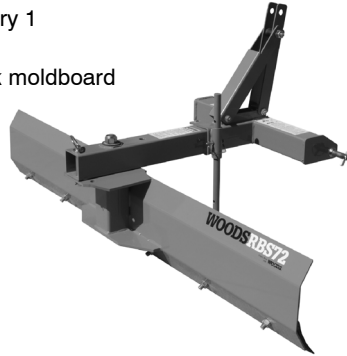
6-inch high x 3/8-inch thick reversible cutting edge

Pivot Angle:
Forward – 5 @ 15°,
Reverse – 5 @ 15°

Pivot Bolt Diameter:
1" (grade 8)

Optional skid shoes and parking stand

ASABE Quick Hitch compatible



RBS60P/72P/84P (PREMIUM) FEATURES:

Category 1 tractors, 20 – 45 hp

15-inch high, 1/4-inch thick moldboard (grade 80 steel)

6-inch high x 1/2-inch thick reversible cutting edge

Pivot Angle:
Forward – 5 @ 15°,
Reverse – 5 @ 15°

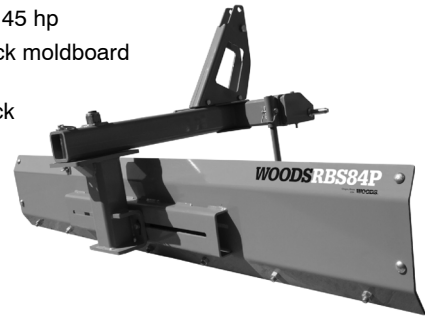
Pivot Bolt Diameter:
1-1/4" (grade 8)

Tilt: up to 15°

Offset: up to 12" left or right

Optional end plates, skid shoes and parking stand

ASABE Quick Hitch compatible



Model No.	Part No.	Description	Width (in.)	Shipping Wt. (lbs.)	Suggested List Price
RBS54	103734054	54" Rear Blade (Basic) with manual angle adjustment	54	144	\$ 543.00
RBS60	103734060	60" Rear Blade (Basic) with manual angle adjustment	60	151	609.00
RBS72	103734072	72" Rear Blade (Basic) with manual angle adjustment	72	162	675.00
RBS60P	103734560	60" Rear Blade (Premium) with manual angle, tilt and offset adjustments	60	271	930.00
RBS72P	103734572	72" Rear Blade (Premium) with manual angle, tilt and offset adjustments	72	290	1,038.00
RBS84P	103734584	84" Rear Blade (Premium) with manual angle, tilt and offset adjustments	84	310	1,152.00

COLOR CODE (Standard color is Woods® orange)*

Code	Color*
JD	Green

* When ordering your rear blade, use the part number for the size ordered - then add color code to the end of part number.
For example: A green RBS54 part number is 103734054JD.

ACCESSORIES

Part No.	Used On	Description	Shipping Wt. (lbs.)	Suggested List Price
1004646	All Models	Fixed Skid Shoe Kit	11	\$ 60.00
18300	All Models	Rotating Skid Shoe Kit	39	244.00
1037480	RBS54/60/72	Basic Parking Stand	12	88.00
1037450	RBS60P/72P/84P	Premium Parking Stand	12	88.00
1037348	RBS60P/72P/84P	End Plate Kit	37	122.00
1023325	All Models	TQH1 Category 1 Quick Hitch (includes bushings)	79	364.00
S14114400W	All Models	Category 1 Quick Hitch Bushing Kit (also converts Category 1 hitch to Category 2)	4	26.00

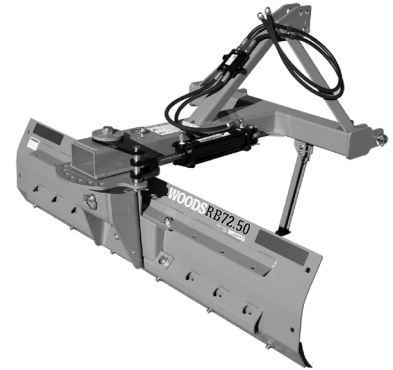
Prices and specifications subject to change without notice.
Prices effective January 1, 2021. Supersedes all previous pricing.
Woods reserves the right to limit quantities and apply surcharges at any time.

REAR BLADES

50 Series – RB72.50, RB84.50, RB96.50

FEATURES:

- Category 1 & 2
- For 30 – 65 hp tractors
- ASABE Quick Hitch compatible
- 17-inch high, 1/4-inch thick (GR80) moldboard
- 1/2-inch x 6-inch double beveled, reversible cutting edge
- 7 forward/reverse angle positions up to 45° (mechanical or hydraulic)
- 7 offset positions up to 18 inches
- 5 tilt positions up to 23°
- Standard parking stand



Model No.	Part No.	Description	Width (in.)	Shipping Wt. (lbs.)	Suggested List Price
RB72.50	1043072	6' Rear Blade	71	445	\$ 1,373.00
RB84.50	1043084	7' Rear Blade	83	475	1,456.00
RB96.50	1043096	8' Rear Blade	95	495	1,566.00

COLOR CODE (Standard color is Woods® orange)*

Code	Color*
JD	Green

* When ordering your rear blade, use the part number for the size ordered - then add color code to the end of part number. For example: A green RB72.50 part number is 1043072JD.

ACCESSORIES

Part No.	Used On	Description	Shipping Wt. (lbs.)	Suggested List Price
1043140	All Models	End Plate Kit	0	\$ 152.00
601730	RB72.50	Rotating Skid Shoe Kit	39	260.00
18300	RB84.50/RB96.50	Rotating Skid Shoe Kit	39	244.00
1043128	All Models	Hydraulic Angle Kit (includes relief valve)	49	474.00
1023325	All Models	TQH1 Category 1 Quick Hitch (includes bushings)	79	364.00
1043173	All Models	Quick Hitch Bushing Kit	0	64.00

Prices and specifications subject to change without notice.
 Prices effective January 1, 2021. Supersedes all previous pricing.
 Woods reserves the right to limit quantities and apply surcharges at any time.

REAR BLADES

60 Series – RB84.60, RB96.60

FEATURES:

Category 1 & 2

For 40 – 85 hp tractors

ASABE Quick Hitch compatible

17.5-inch high, 5/16-inch thick moldboard

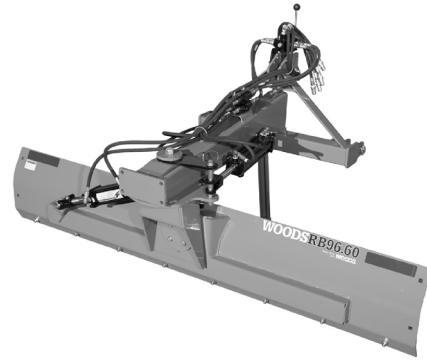
1/2-inch x 6-inch double beveled, reversible cutting edge

Angle positions up to 45° (mechanical or hydraulic)

Offset positions up to 20 inches (mechanical or hydraulic)

Tilt positions up to 23° (mechanical or hydraulic)

Standard parking stand



7-foot Rear Blades

Model No.	Part No.	Description	Width (in.)	Shipping Wt. (lbs.)	Suggested List Price
RB84.60	1043184	Rear Blade with mechanical angle/offset/tilt	83	657	\$ 3,245.00
RB84.60	1043184A	Rear Blade with mechanical offset/tilt, hydraulic angle	83	693	3,664.00
RB84.60	1043184O	Rear Blade with mechanical angle/tilt, hydraulic offset	83	682	3,467.00
RB84.60	1043184T	Rear Blade with mechanical angle/offset, hydraulic tilt	83	676	3,353.00
RB84.60	1043184AO	Rear Blade with mechanical tilt, hydraulic angle/offset	83	736	3,886.00
RB84.60	1043184AT	Rear Blade with mechanical offset, hydraulic angle/tilt	83	730	3,773.00
RB84.60	1043184OT	Rear Blade with mechanical angle, hydraulic offset/tilt	83	719	3,575.00
RB84.60	1043184AOT	Rear Blade with hydraulic angle/offset/tilt	83	773	3,993.00

8-foot Rear Blades

RB96.60	1043196	Rear Blade with mechanical angle/offset/tilt	95	682	\$ 3,353.00
RB96.60	1043196A	Rear Blade with mechanical offset/tilt, hydraulic angle	95	718	3,773.00
RB96.60	1043196O	Rear Blade with mechanical angle/tilt, hydraulic offset	95	707	3,575.00
RB96.60	1043196T	Rear Blade with mechanical angle/offset, hydraulic tilt	95	701	3,461.00
RB96.60	1043196AO	Rear Blade with mechanical tilt, hydraulic angle/offset	95	761	3,993.00
RB96.60	1043196AT	Rear Blade with mechanical offset, hydraulic angle/tilt	95	755	3,880.00
RB96.60	1043196OT	Rear Blade with mechanical angle, hydraulic offset/tilt	95	744	3,682.00
RB96.60	1043196AOT	Rear Blade with hydraulic angle/offset/tilt	95	798	4,102.00

COLOR CODE (Standard color is Woods® orange)*

Code	Color*
JD	Green

* When ordering your rear blade, use the part number for the size ordered - then add color code to the end of part number.
For example: A green RB84.60 part number with mechanical angle/offset/tilt is 1043184TJD.

ACCESSORIES

Part No.	Used On	Description	Shipping Wt. (lbs.)	Suggested List Price
1043125	All Models	Hydraulic Angle Kit (includes relief valve)	54	\$ 420.00
1043126	All Models	Hydraulic Offset Kit (includes relief valve)	43	395.00
1043127	All Models	Hydraulic Tilt Kit	37	282.00
1043134	All Models	Selector Valve Kit	20	354.00
1043135	All Models	End Plate Kit	38	149.00
18300	All Models	Rotating Skid Shoe Kit	39	244.00
1043145	All Models	Tail Wheel Kit (includes top link float)	TBD	630.00
1023325	All Models	TQH1 Category 1 Quick Hitch (includes bushings)	79	364.00
1043173	All Models	Quick Hitch Bushing Kit	0	64.00

Prices and specifications subject to change without notice.
Prices effective January 1, 2021. Supersedes all previous pricing.
Woods reserves the right to limit quantities and apply surcharges at any time.

REAR BLADES – HEAVY-DUTY

RB Series – RB750, RB850, RB990, RB1010

RB750 & RB850:

Category 2; for 50 – 100 hp tractors (10,000 lbs. max.)



RB750/RB850 SERIES



RB990/RB1010 SERIES
SHOWN WITH OPTIONAL TAIL WHEEL

RB990 & RB1010:

Category 2 & 3; for 80 – 150 hp tractors

7-foot Rear Blades (RB750)

Model No.	Part No.	Description	Shipping Wt. (lbs.)	Suggested List Price
RB750M	1004864	Rear Blade with mechanical angle/offset/tilt	985	\$ 3,707.00
RB750MA	1004865	Rear Blade with mechanical offset/tilt, hydraulic angle	1080	4,318.00
RB750MT	1005005	Rear Blade with mechanical angle/offset, hydraulic tilt	1029	4,065.00
RB750SA	1005006	Rear Blade with mechanical tilt, hydraulic angle/offset	1151	4,989.00
RB750TA	1005007	Rear Blade with mechanical offset, hydraulic angle/tilt	1124	4,705.00
RB750H	1004866	Rear Blade with hydraulic angle/offset/tilt	1193	5,348.00

8-foot Rear Blades (RB850)

RB850M	1004867	Rear Blade with mechanical angle/offset/tilt	1025	\$ 3,887.00
RB850MA	1004868	Rear Blade with mechanical offset/tilt, hydraulic angle	1120	4,508.00
RB850MT	1005008	Rear Blade with mechanical angle/offset, hydraulic tilt	1069	4,248.00
RB850SA	1005009	Rear Blade with mechanical tilt, hydraulic angle/offset	1191	5,186.00
RB850TA	1005010	Rear Blade with mechanical offset, hydraulic angle/tilt	1164	4,897.00
RB850H	1004869	Rear Blade with hydraulic angle/offset/tilt	1233	5,544.00

9-foot Rear Blades (RB990)

RB990MA	1004900	Rear Blade with mechanical offset/tilt, hydraulic angle	1631	\$ 6,637.00
RB990H	1004901	Rear Blade with hydraulic angle/offset/tilt	1730	8,048.00

10-foot Rear Blades (RB1010)

RB1010MA	1004902	Rear Blade with mechanical offset/tilt, hydraulic angle	1658	\$ 6,913.00
RB1010H	1004903	Rear Blade with hydraulic angle/offset/tilt	1757	8,355.00

ACCESSORIES

Part No.	Used On	Description	Shipping Wt. (lbs.)	Suggested List Price
1004873	RB750H/850H	Selector Valve Kit (for RB750H & RB850H models only)	20	\$ 497.00
22658	RB750/850	End Plate Kit	39	178.00
18296	RB750/850	Rotating Skid Shoe Kit	34	250.00
18295	RB750/850	Category 2, Quick Hitch Bushing Kit (also converts Category 2 hitch to Category 3)	1	46.00
W28775	RB750/850	Tail Wheel Kit	153	1,355.00
1004907	RB990/1010	Hydraulic Offset Kit	81	1,608.00
1004908	RB990/1010	Hydraulic Tilt Kit	45	511.00
1004909	RB990H/1010H	Selector Valve Kit (for RB990H & RB1010H models only)	20	497.00
29399	RB990/1010	Tail Wheel Kit (includes top link float)	175	1,329.00

Prices and specifications subject to change without notice.
 Prices effective January 1, 2021. Supersedes all previous pricing.
 Woods reserves the right to limit quantities and apply surcharges at any time.

STUMP GRINDERS

PTO-Powered – TSG50

FEATURES:

- Category 1, 3-point hitch mount standard; Category 2 optional
- Suitable for tractors with 15 – 50 PTO horsepower
- 24 carbide steel teeth on 20-inch diameter wheel
- Bi-directional cutting for increased productivity
- 16-inch above ground clearance
- 16-inch cutting depth
- 32-inch horizontal cutting width
- Multiple options for remote hydraulic cylinder actuation
- Hub torque rating of 76 – 250 ft-lbs
- 1,037 rpm cutter wheel speed
- 5,428 fpm cutter tip speed
- 6-year gearbox warranty



Model No.	Part No.	Description	Shipping Wt. (lbs.)	Suggested List Price
TSG50	1018310	Stump Grinder (less hydraulics)	520	\$ 5,973.00

HYDRAULIC OPTIONS (Order One – Tractor must be equipped with rear remotes selector valve)

Part No.	Description	Shipping Wt. (lbs.)	Suggested List Price
1024682	Hose Kit for Multiple Port Tractor Auxiliary Valve	9	\$ 304.00
1021809	Hose & Selector Valve Kit for Single Port Tractor Auxiliary Valve (Includes mounting stand)	43	1,186.00
1021822	Hose & Electric Solenoid Valve Kit for Single Port Tractor Auxiliary Valve	21	2,099.00

NOTE: All hose kits include restrictor fittings for improved motion control.

ACCESSORIES

1023325	TQH1 Category 1 Quick Hitch (Includes bushings)	79	\$ 364.00
S14114400W	ASABE Category 1 Quick Hitch Bushing Kit	4	26.00
30006	Category 2 Mounting Pin (Order 2)	2	▲
1024749	Replacement Tooth Kit (24 teeth and nuts)	10	▲

▲ Please refer to the Woods Genuine Parts program and price list for discount and price at <http://dealer.woodsequipment.com>.

Prices and specifications subject to change without notice.
 Prices effective January 1, 2021. Supersedes all previous pricing.
 Woods reserves the right to limit quantities and apply surcharges at any time.

Chippers: Discontinued and removed

Stump Grinders: Moved to Landscape Equipment section (page LE17)

Log Splitters: Discontinued and removed

**PRICING DOES NOT INCLUDE
CURRENT SURCHARGE AMOUNT**

**PRICING DOES NOT INCLUDE
CURRENT SURCHARGE AMOUNT**

TABLE OF CONTENTS

Disc Harrows **TE2 – TE3**
 Standard-Duty TE2
 Medium-Duty TE3

Rotary Tillers **TE4 – TE5**
 Standard-Duty TE4 – TE5

**PRICING DOES NOT INCLUDE
CURRENT SURCHARGE AMOUNT**

DISC HARROWS – STANDARD-DUTY

DHS48, DHS64, DHS80

FEATURES:

Tractor engine horsepower:

- DHS48 = up to 35 hp,
- DHS64 = 25 – 45 hp,
- DHS80 = 35 – 55 hp

Hitch type:

- DHS48 = Category 1, Limited Category 1 (Category 0 optional),
- DHS64/DHS80 = Category 1

Quick hitch compatible

Disc blade diameter and type:

- DHS48 = 16" notched,
- DHS64/DHS80 = 18" notched or combo

Disc blade thickness: 0.118"

Disc blade spacing:

- DHS48 = 7.5" front and rear,
- DHS64/DHS80 = 7.5" front and rear or 9" front, 7.5" rear

Gang axle size: 1" square

Angle adjustments:

- 0, 7, 14 and 21 degrees

Bearing type: self-aligning

Optional mud scrapers (all models) and furrow fillers (DHS64/DHS80 only)



Model No.	Part No.	Description	Front Disc Spacing (in.)	Rear Disc Spacing (in.)	No. of Blades	Width (in.)	Shipping Wt. (lbs.)	Suggested List Price
DHS48	1041350N	48" Disc Harrow, 16" notched	7.5	7.5	12	48	420	\$ 1,726.00
DHS64N	1042121N	64" Disc Harrow, 18" notched	7.5	7.5	16	64	532	2,162.00
DHS64C	1042121C	64" Disc Harrow, 18" combo	7.5	7.5	16	64	532	2,162.00
DHS64N	1041351N	64" Disc Harrow, 18" notched	9	7.5	14	64	531	2,036.00
DHS64C	1041351C	64" Disc Harrow, 18" combo	9	7.5	14	64	545	2,036.00
DHS80N	1042122N	80" Disc Harrow, 18" notched	7.5	7.5	20	80	614	2,752.00
DHS80C	1042122C	80" Disc Harrow, 18" combo	7.5	7.5	20	80	614	2,752.00
DHS80N	1041352N	80" Disc Harrow, 18" notched	9	7.5	18	80	627	2,603.00
DHS80C	1041352C	80" Disc Harrow, 18" combo	9	7.5	18	80	639	2,603.00

ACCESSORIES

Part No.	Used On	Description	Shipping Wt. (lbs.)	Suggested List Price
1041355	DHS48	48" Mud Scraper Kit – 7.5" F & R (fits front and rear gangs; order 1)	22	\$ 360.00
1042119	DHS64	64" Mud Scraper Kit – 7.5" F & R (fits front and rear gangs; order 1)	53	324.00
1041356	DHS64	64" Mud Scraper Kit – 9" F & 7.5" R (fits front and rear gangs; order 1)	50	390.00
1042120	DHS80	80" Mud Scraper Kit – 7.5" F & R (fits front and rear gangs; order 1)	66	462.00
1041357	DHS80	80" Mud Scraper Kit – 9" F & 7.5" R (fits front and rear gangs; order 1)	52	540.00
1041360	DHS64/80	Furrow Filler Kit (includes furrow filler mud scrapers; order furrow blades)	0	348.00
1039919KT	DHS64/80	16" Notched Furrow Blades – 2 blades per kit (order with Furrow Filler Kit #1041360)	15	49.00
1023325	All Models	TQH1 Category 1 Quick Hitch (includes bushings for DHS48)	79	364.00
S14114400W	DHS48	ASABE Category 1 Quick Hitch Bushing Kit	4	26.00
1022043	DHS64/80	ASABE Category 1 Quick Hitch Bushing Kit	2	53.00

COLOR CODE (Standard color is Woods® orange)*

Code	Color*
JD	Green

* When ordering your disc harrow, use the part number for the size ordered – then add color code to the end of part number. For example: A green DHS48 part number is 1041350NJD.

Prices and specifications subject to change without notice.
 Prices effective January 1, 2021. Supersedes all previous pricing.
 Woods reserves the right to limit quantities and apply surcharges at any time.

DISC HARROWS – MEDIUM-DUTY

DHM80, DHM96

FEATURES:

Tractor engine horsepower:

DHM80 = 45 – 75 hp, DHM96 = 55 – 85 hp

Hitch type: Category 1 & Category 2

Quick hitch compatible

Disc blade diameter and type: 20" notched or combo

Disc blade thickness: 0.177"

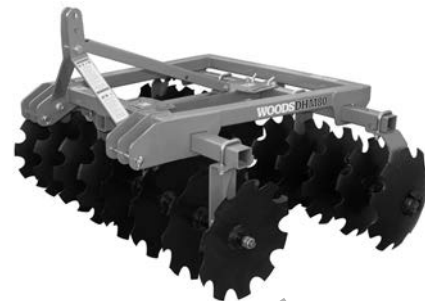
Disc blade spacing: 9" front, 7.5" rear

Gang axle size: 1-1/8" square

Angle adjustments: 0, 7, 14 and 21 degrees

Bearing type: greasable, self-aligning

Optional mud scrapers, furrow fillers and rear drawbar



Model No.	Part No.	Description	No. of Blades	Width (in.)	Shipping Wt. (lbs.)	Suggested List Price
DHM80N	1041353N	80" Disc Harrow, 20" notched	18	80	883	\$ 4,120.00
DHM80C	1041353C	80" Disc Harrow, 20" combo	18	80	904	4,120.00
DHM96N	1041354N	96" Disc Harrow, 20" notched	22	96	1002	4,741.00
DHM96C	1041354C	96" Disc Harrow, 20" combo	22	96	1017	4,741.00

ACCESSORIES

Part No.	Used On	Description	Shipping Wt. (lbs.)	Suggested List Price
1041358	DHM80	80" Mud Scraper Kit (fits front and rear gangs; order 1)	65	\$ 529.00
1041359	DHM96	96" Mud Scraper Kit (fits front and rear gangs; order 1)	84	647.00
1041361	DHM80/96	Furrow Filler Kit (includes furrow filler mud scrapers; order furrow blades)	0	341.00
1039919KT	DHM80/96	16" Notched Furrow Blades – 2 blades per kit (order with Furrow Filler Kit #1041361)	15	49.00
1039920KT	DHM80/96	18" Notched Furrow Blades – 2 blades per kit (order with Furrow Filler Kit #1041361)	19	60.00
1041362	All Models	Rear Drawbar (for attaching towed implements)	8	82.00
1023325	All Models	TQH1 Category 1 Quick Hitch (bushings in this kit not compatible; order part #1022043 below)	79	364.00
595409	All Models	TQH2 Category 2 HD Quick Hitch (includes bushings)	170	809.00
1022043	All Models	ASABE Category 1, 2 Quick Hitch Bushing Kit	2	53.00

COLOR CODE (Standard color is Woods® orange)*

Code	Color*
JD	Green

* When ordering your disc harrow, use the part number for the size ordered – then add color code to the end of part number. For example: A green DHM80C part number is 1041353CJD.

Prices and specifications subject to change without notice.
 Prices effective January 1, 2021. Supersedes all previous pricing.
 Woods reserves the right to limit quantities and apply surcharges at any time.

ROTARY TILLERS – STANDARD-DUTY

30 & 40 Series

FEATURES:

- Tractor engine horsepower:
 - RT42.30/RTR42.30 = 12 – 30 hp
 - RT48.30/RTR48.30 = 15 – 35 hp
 - RT60.40/RTR60.40 = 18 – 40 hp
 - RT72.40/RTR72.40 = 20 – 50 hp
- Limited Category 1 and Category 1
- Oil bath gear drive
- 4 C-type tines per flange
- PTO driveline with slip clutch
- Heavy-duty cast iron gearbox housing
- Fixed offset
- Quick hitch compatible
- 3-year gearbox warranty



FORWARD ROTATION TILLERS (Ships without rubber deflector)

Model No.	Part No.	Description	No. of Tines/Flanges	Width (in.)	Product Wt. (lbs.)	Shipping Wt. (lbs.)	Suggested List Price	Qty. of 5 List Price *
RT42.30	1042342	RT42.30 Tiller, Forward Rotation	20/5	42	478	546	\$ 2,334.00	\$ 2,276.00
RT48.30	1042348	RT48.30 Tiller, Forward Rotation	24/6	48	502	569	2,434.00	2,373.00
RT60.40	1042360	RT60.40 Tiller, Forward Rotation	28/7	60	570	645	2,587.00	2,522.00
RT72.40	1042372	RT72.40 Tiller, Forward Rotation	36/9	72	621	700	2,973.00	2,899.00

* Order 5+ units in any combination of 30/40 series tillers to receive an additional 2.5% discount.

REVERSE ROTATION TILLERS (Ships with rubber deflector)

Model No.	Part No.	Description	No. of Tines/Flanges	Width (in.)	Product Wt. (lbs.)	Shipping Wt. (lbs.)	Suggested List Price	Qty. of 5 List Price *
RTR42.30	1042342R	RT42.30 Tiller, Reverse Rotation	20/5	42	484	550	\$ 2,657.00	\$ 2,591.00
RTR48.30	1042348R	RT48.30 Tiller, Reverse Rotation	24/6	48	508	572	2,766.00	2,697.00
RTR60.40	1042360R	RT60.40 Tiller, Reverse Rotation	28/7	60	578	648	2,810.00	2,740.00
RTR72.40	1042372R	RT72.40 Tiller, Reverse Rotation	36/9	72	630	705	3,163.00	3,084.00

* Order 5+ units in any combination of 30/40 series tillers to receive an additional 2.5% discount.

ACCESSORIES

Part No.	Used On	Description	Shipping Wt. (lbs.)	Suggested List Price
1023325	All Models	TQH1 Category 1 Quick Hitch (includes bushings)	79	\$ 364.00
S14114400W	All Models	ASABE Category 1 Quick Hitch Bushing Kit	4	26.00

COLOR CODES (Standard color is Woods® orange)**

Code	Color*
JD	Green
KO	Orange
VB	Blue

** When ordering your tiller, use the part number for the model ordered – then add color code to the end of part number. For example: A green RT42.30 part number is 1042342JD.

Prices and specifications subject to change without notice.
 Prices effective January 1, 2021. Supersedes all previous pricing.
 Woods reserves the right to limit quantities and apply surcharges at any time.

ROTARY TILLERS – STANDARD-DUTY

TC & TCR Series

FEATURES:

Category 1	7.5" maximum tilling depth
Quick Hitch compatible	Tilling widths available: 60", 68" and 74"
For tractors up to 45 hp	Slip clutch drive standard
Adjustable skid shoes	Convertible side shift: TC & TCR 60 – 15.5" TC & TCR 68 – 19.5" TC & TCR 74 – 22.5"
540 rpm PTO	6-year gearbox warranty
240 rpm rotor shaft	
Forward or reverse rotation	
#80 chain in enclosed oil bath, case with drain plug	
Six "C" tines per flange	



FORWARD ROTATION TILLERS

Model No.	Tilling Width (in.)	No. of Tines/Flanges	Woods® Orange Part No.	Orange ¹ Part No.*	Green ² Part No.*	Shipping Wt. (lbs.)	Suggested List Price
TC60	60	42/7	TC60B06	—	TC60JD6	667	\$ 3,753.00
TC68	68	48/8	TC68B06	TC68K06	—	710	3,933.00
TC74	74	54/9	TC74B06	—	—	742	4,091.00

* Painted colors to match ¹ Orange and ² Green tractors.

REVERSE ROTATION TILLERS

Model No.	Tilling Width (in.)	No. of Tines/Flanges	Woods Orange Part No.	Orange ¹ Part No.*	Green ² Part No.*	Shipping Wt. (lbs.)	Suggested List Price
TCR60	60	42/7	TCR60B06	—	—	671	\$ 3,841.00
TCR68	68	48/8	TCR68B06	—	—	717	4,011.00
TCR74	74	54/9	TCR74B06	TCR74K06	TCR74JD6	755	4,210.00

* Painted colors to match ¹ Orange and ² Green tractors.

ACCESSORIES

Part No.	Description	Shipping Wt. (lbs.)	Suggested List Price
1023325	TQH1 Category 1 Quick Hitch (Includes bushings)	79	\$ 364.00
S14114400W	ASABE Category 1 Quick Hitch Bushing Kit	4	26.00

Prices and specifications subject to change without notice.
Prices effective January 1, 2021. Supersedes all previous pricing.
Woods reserves the right to limit quantities and apply surcharges at any time.

**PRICING DOES NOT INCLUDE
CURRENT SURCHARGE AMOUNT**

TABLE OF CONTENTS

Compact Super Seeders	SE2 – SE3
Food Plot Seeders	SE4 – SE7
Hunting Edition	SE4
Row Crop Edition	SE5
Base Units & Optional Accessories	SE6
Miscellaneous Accessories	SE7
Precision Super Seeders	SE8 – SE14
Hunting Edition	SE8
Conservation Edition	SE9
Landscaper Edition	SE10
Base Units & Optional Accessories	SE11 – SE12
Miscellaneous Accessories	SE13 – SE14

**PRICING DOES NOT INCLUDE
CURRENT SURCHARGE AMOUNT**

COMPACT SUPER SEEDERS

Base Unit Compact Super Seeders – CSS48, CSS60

FEATURES & SPECIFICATIONS:

Ideal for food plots, renovating turf, and seeding waterways

Tractor Engine HP Range (Tractor Hitch):

CSS48: 15 – 35 hp (Cat. 1)
CSS60: 20 – 45 hp (Cat. 1)

Working Width (in.): 48", 60"

Drive Type: Ground driven

Seed Metering: Fluted

Seed Cups: 6, 8

Cool Season Seed Box Capacity (bu.):

1.00, 1.25

Legume Seed Box Capacity (bu.):
1.00, 1.25

Seed Cup Spacing: 7.4"

Adjustable Front Spiked Rollers with
0.375" x 1-1/4" steel teeth or
Adjustable Front 16" Notched Disc Blades
with 7.5" spacing

Nylon Trailing Cultipacker Option

ASABE Quick Hitch compatible

Slow chain drive is standard with disc blades

Fast chain drive is standard with front spiked
rollers



Base Seeder with Front Disc Blades
and Cool Season Seed Box

SECTION 1: BASE UNIT INCLUDES FRAME, REAR SPIKED ROLLER AND COOL SEASON SEED BOX (Factory-Installed – MUST Choose One)

Model No.	Part No.	Description	Width (in.)	Shipping Wt. (lbs.)	Suggested List Price
Base Unit with Front Spiked Rollers					
CSS48	61170048R	48" Base Unit with Spiked Rollers	48	469	\$ 5,282.00
CSS48	61170048RLG	48" Base Unit with Spiked Rollers, Legume Seed Box and Nylon Trailing Cultipacker	48	642	8,073.00
CSS60	61170060R	60" Base Unit with Spiked Rollers	60	566	5,960.00
CSS60	61170060RLG	60" Base Unit with Spiked Rollers, Legume Seed Box and Nylon Trailing Cultipacker	60	732	8,916.00
Base Unit with Front Disc Blades					
CSS48	61170048D	48" Base Unit with 16" Notched Disc Blades	48	491	\$ 5,282.00
CSS48	61170048DL	48" Base Unit with 16" Notched Disc Blades and Legume Seed Box	48	563	7,058.00
CSS48	61170048DLG	48" Base Unit with 16" Notched Disc Blades, Legume Seed Box and Nylon Trailing Cultipacker	48	644	8,073.00
CSS60	61170060D	60" Base Unit with 16" Notched Disc Blades	60	578	5,960.00
CSS60	61170060DL	60" Base Unit with 16" Notched Disc Blades and Legume Seed Box	60	658	7,797.00
CSS60	61170060DLG	60" Base Unit with 16" Notched Disc Blades, Legume Seed Box and Nylon Trailing Cultipacker	60	744	8,916.00

SECTION 2: MISCELLANEOUS (Dealer-Installed Optional Accessories)

Refer to Section 2 on page SE3 for Compact Super Seeder Miscellaneous Accessories.

Prices and specifications subject to change without notice.
Prices effective January 1, 2021. Supersedes all previous pricing.
Woods reserves the right to limit quantities and apply surcharges at any time.

COMPACT SUPER SEEDERS (Continued)

Base Unit Compact Super Seeders – CSS48, CSS60

SECTION 2: MISCELLANEOUS (Dealer-Installed Optional Accessories)				
For Use With	Part No.	Description	Shipping Wt. (lbs.)	Suggested List Price
CSS48	61166948	48" Front Spiked Rollers (Chain Drive sold separately)	130	\$ 1,270.00
CSS48	61166848	48" Front 16" Notched Disc Blades (Chain Drive sold separately)	145	1,270.00
CSS48	61160448	48" Legume Seed Box	81	1,777.00
CSS48	61166648	48" Nylon Trailing Cultipacker with Spring-Loaded Down Pressure	88	1,015.00
CSS48	61524348	Mud Scraper for CSS48 Front Spiked Roller	12	147.00
CSS48	61564548	Mud Scraper for CSS48 Rear Roller	8	147.00
CSS48	61525048	Mud Scraper for CSS48 Disc Blades	8	324.00
CSS48	61524648	Mud Scraper for CSS48 Nylon Trailing Cultipacker	10	147.00
CSS48	611740	Chain Drive, Fast	4	130.00
CSS48	611741	Chain Drive, Slow	8	172.00
CSS48	611743	Light Kit	7	505.00
CSS48	1038658	Seed Stop Plates (Qty. of 12)	2	33.00
CSS48	60435348	Tow Kit for CSS48, Electric	305	2,808.00
CSS48	60435448	Tow Kit for CSS48, Hydraulic	315	2,808.00
CSS60	61166960	60" Front Spiked Rollers (Chain Drive sold separately)	150	1,431.00
CSS60	61166860	60" Front 16" Notched Disc Blades (Chain Drive sold separately)	175	1,431.00
CSS60	61160460	60" Legume Seed Box	92	1,837.00
CSS60	61166660	60" Nylon Trailing Cultipacker with Spring-Loaded Down Pressure	100	1,119.00
CSS60	61524360	Mud Scraper for CSS60 Front Spiked Roller	14	158.00
CSS60	61564560	Mud Scraper for CSS60 Rear Roller	9	158.00
CSS60	61525060	Mud Scraper for CSS60 Disc Blades	12	324.00
CSS60	61524660	Mud Scraper for CSS60 Nylon Trailing Cultipacker	13	158.00
CSS60	611740	Chain Drive, Fast	4	130.00
CSS60	611741	Chain Drive, Slow	8	172.00
CSS60	611743	Light Kit	7	505.00
CSS60	1038658	Seed Stop Plates (Qty. of 12)	2	33.00
CSS60	60435360	Tow Kit for CSS60, Electric	310	2,863.00
CSS60	60435460	Tow Kit for CSS60, Hydraulic	320	2,863.00

Prices and specifications subject to change without notice.
 Prices effective January 1, 2021. Supersedes all previous pricing.
 Woods reserves the right to limit quantities and apply surcharges at any time.

FOOD PLOT SEEDERS

Hunting Edition Food Plot Seeders – FPS48, FPS60, FPS72, FPS84

FEATURES & SPECIFICATIONS:

Ideal for food plots and any low seeding rate and/or no-till applications

Tractor Engine HP Range (Tractor Hitch):

FPS48: 25 – 45 hp (Cat. 1 & 2)

FPS60: 30 – 65 hp (Cat. 1 & 2)

FPS72: 35 – 85 hp (Cat. 1 & 2)

FPS84: 40 – 125 hp (Cat. 2)

Working Width (in.): 48", 60", 72", 84"

Drive Type: Ground driven

Seed Metering: Fluted

Seed Cups: 7, 8, 10, 12

(seed stop plates included)

Seed Box Ratio: 1-speed

Cool Season Seed Box Capacity (bu.):

4.00, 5.00, 6.00, 7.00

Legume Seed Box Capacity (bu.):

1.00, 1.25, 1.50, 1.75

Seed Cup Spacing: 7"

Adjustable Front 16"/18" Notched Disc Blades with 7.5" spacing

Nylon Trailing Cultipacker with 2.3" spacing and spring-loaded down pressure

ASABE Quick Hitch compatible



FPS72
Hunting Edition Food Plot Seeder

HUNTING EDITION FOOD PLOT SEEDER (Factory-Installed; pre-configured for food plots)

Model No.	Part No.	Description	Width (in.)	Shipping Wt. (lbs.)	Suggested List Price
FPS48	1039748YLLG	48" Seeder with Spiked Drive Roller, Front 16" Notched Disc Blades, Cool Season Seed Box, Row Units, 1st and 2nd Legume Seed Boxes and Nylon Trailing Cultipacker	48	1170	\$ 12,059.00
FPS60	1039760YLLG	60" Seeder with Spiked Drive Roller, Front 16" Notched Disc Blades, Cool Season Seed Box, Row Units, 1st and 2nd Legume Seed Boxes and Nylon Trailing Cultipacker	60	1184	13,153.00
FPS72	1039772YLLG	72" Seeder with Spiked Drive Roller, Front 18" Notched Disc Blades, Cool Season Seed Box, Row Units, 1st and 2nd Legume Seed Boxes and Nylon Trailing Cultipacker	72	1672	14,679.00
FPS84	1039784YLLG	84" Seeder with Spiked Drive Roller, Front 18" Notched Disc Blades, Cool Season Seed Box, Row Units, 1st and 2nd Legume Seed Boxes and Nylon Trailing Cultipacker	84	1559	16,548.00

MISCELLANEOUS (Dealer-Installed Optional Accessories)

Refer to Section 5 on page SE7 for Food Plot Seeder Miscellaneous Accessories.

Prices and specifications subject to change without notice.
Prices effective January 1, 2021. Supersedes all previous pricing.
Woods reserves the right to limit quantities and apply surcharges at any time.

FOOD PLOT SEEDERS (Continued)

Row Crop Edition Food Plot Seeders – FPS48, FPS60, FPS72, FPS84

FEATURES & SPECIFICATIONS:

Ideal for planting row crops and any low seeding rate and/or no-till applications

Tractor Engine HP Range (Tractor Hitch):

FPS48: 25 – 45 hp (Cat. 1 & 2)
 FPS60: 30 – 65 hp (Cat. 1 & 2)
 FPS72: 35 – 85 hp (Cat. 1 & 2)
 FPS84: 40 – 125 hp (Cat. 2)

Working Width (in.): 48", 60", 72", 84"

Drive Type: Ground driven

Seed Metering: Fluted

Seed Cups: 7, 8, 10, 12
 (seed stop plates included)

Seed Box Ratio: 1-speed

Cool Season Seed Box Capacity (bu.):
 4.00, 5.00, 6.00, 7.00

Legume Seed Box Capacity (bu.):
 1.00, 1.25, 1.50, 1.75

Seed Cup Spacing: 7"

Adjustable Front 16"/18" Notched Disc Blades
 with 7.5" spacing

Nylon Trailing Cultipacker with 2.3" spacing
 and spring-loaded down pressure

ASABE Quick Hitch compatible

ROW CROP EDITION FOOD PLOT SEEDER (Factory-Installed; pre-configured for food plots)					
Model No.	Part No.	Description	Width (in.)	Shipping Wt. (lbs.)	Suggested List Price
FPS48	1039748YLG	48" Seeder with Spiked Drive Roller, Front 16" Notched Disc Blades, Cool Season Seed Box, Row Units, 1st Legume Seed Box and Nylon Trailing Cultipacker	48	1091	\$ 9,946.00
FPS60	1039760YLG	60" Seeder with Spiked Drive Roller, Front 16" Notched Disc Blades, Cool Season Seed Box, Row Units, 1st Legume Seed Box and Nylon Trailing Cultipacker	60	1188	10,968.00
FPS72	1039772YLG	72" Seeder with Spiked Drive Roller, Front 18" Notched Disc Blades, Cool Season Seed Box, Row Units, 1st Legume Seed Box and Nylon Trailing Cultipacker	72	1470	12,402.00
FPS84	1039784YLG	84" Seeder with Spiked Drive Roller, Front 18" Notched Disc Blades, Cool Season Seed Box, Row Units, 1st Legume Seed Box and Nylon Trailing Cultipacker	84	1632	14,151.00

MISCELLANEOUS (Dealer-Installed Optional Accessories)

Refer to Section 5 on page SE7 for Food Plot Seeder Miscellaneous Accessories.

Prices and specifications subject to change without notice.
 Prices effective January 1, 2021. Supersedes all previous pricing.
 Woods reserves the right to limit quantities and apply surcharges at any time.

FOOD PLOT SEEDERS (Continued)

Base Unit Food Plot Seeders – FPS48, FPS60, FPS72, FPS84

FEATURES & SPECIFICATIONS:

Ideal for food plots, small acreage row crops, and any low seeding rate and/or no-till applications

Tractor Engine HP Range (Tractor Hitch):

FPS48: 25 – 45 hp (Cat. 1 & 2)

FPS60: 30 – 65 hp (Cat. 1 & 2)

FPS72: 35 – 85 hp (Cat. 1 & 2)

FPS84: 40 – 125 hp (Cat. 2)

Working Width (in.): 48", 60", 72", 84"

Drive Type: Ground driven

Seed Metering: Fluted

Seed Cups: 7, 8, 10, 12

(seed stop plates included)

Seed Box Ratio: 1-speed

Cool Season Seed Box Capacity (bu.):

4.00, 5.00, 6.00, 7.00

Legume Seed Box Capacity (bu.):

1.00, 1.25, 1.50, 1.75

Seed Cup Spacing: 7"

Adjustable Front 16"/18" Notched Disc Blades

with 7.5" spacing

Cast Iron or Nylon Trailing Cultipacker

ASABE Quick Hitch compatible



Base Seeder with Cultipacker Drive Roller, Front Disc Blades, Cool Season Seed Box, Row Units, plus Optional 1st & 2nd Legume Seed Boxes and Nylon Trailing Cultipacker

To order a Food Plot Seeder, choose a Base Unit from Section 1 and Factory-installed Optional Accessories from Sections 2 – 4. Order Dealer-installed Optional Accessories separately from Section 5.

Ordering examples:

1039748Y = FPS48 Base Unit with Spiked Drive Roller

1039772YC = FPS72 Base Unit with Spiked Drive Roller and Cast Iron Cultipacker

SECTION 1: BASE UNIT INCLUDES FRAME, FRONT DISC BLADES, COOL SEASON SEED BOX AND ROW UNITS (Factory-Installed – MUST Choose One)

Model No.	Part No.	Description	Width (in.)	Shipping Wt. (lbs.)	Suggested List Price
Base Unit with Spiked Drive Roller					
FPS48	1039748Y	48" Base Unit with Spiked Drive Roller	48	901	\$ 6,626.00
FPS60	1039760Y	60" Base Unit with Spiked Drive Roller	60	979	7,452.00
FPS72	1039772Y	72" Base Unit with Spiked Drive Roller	72	1276	8,657.00
FPS84	1039784Y	84" Base Unit with Spiked Drive Roller	84	1400	10,152.00
Base Unit with Cultipacker Drive Roller					
FPS48	1039748Z	48" Base Unit with Nylon Cultipacker Drive Roller	48	929	\$ 6,626.00
FPS60	1039760Z	60" Base Unit with Nylon Cultipacker Drive Roller	60	1014	7,452.00
FPS72	1039772Z	72" Base Unit with Nylon Cultipacker Drive Roller	72	1317	8,657.00
FPS84	1039784Z	84" Base Unit with Nylon Cultipacker Drive Roller	84	1448	10,152.00

SECTION 2: 1ST LEGUME SEED BOX (Factory-Installed Optional Accessory)

Part No.	Description	Add Wt.	Add Price
Part No. above + "L" suffix	48" Legume Seed Box	80	\$ 2,113.00
Part No. above + "L" suffix	60" Legume Seed Box	100	2,185.00
Part No. above + "L" suffix	72" Legume Seed Box	120	2,277.00
Part No. above + "L" suffix	84" Legume Seed Box	140	2,397.00

SECTION 3: 2ND LEGUME SEED BOX (Factory-Installed Optional Accessory)

Part No.	Description	Add Wt.	Add Price
Part No. above + "L" suffix	48" Legume Seed Box	65	\$ 2,113.00
Part No. above + "L" suffix	60" Legume Seed Box	85	2,185.00
Part No. above + "L" suffix	72" Legume Seed Box	105	2,277.00
Part No. above + "L" suffix	84" Legume Seed Box	125	2,397.00

SECTION 4: TRAILING CULTIPACKER (Factory-Installed Optional Accessory)

Part No.	Description	Add Wt.	Add Price
Cast Iron Cultipacker			
Part No. above + "C" suffix	48" Cast Iron Trailing Cultipacker	207	\$ 1,207.00
Part No. above + "C" suffix	60" Cast Iron Trailing Cultipacker	243	1,331.00
Part No. above + "C" suffix	72" Cast Iron Trailing Cultipacker	293	1,468.00
Part No. above + "C" suffix	84" Cast Iron Trailing Cultipacker	337	1,602.00
Nylon Cultipacker			
Part No. above + "G" suffix	48" Nylon Trailing Cultipacker	90	\$ 1,207.00
Part No. above + "G" suffix	60" Nylon Trailing Cultipacker	103	1,331.00
Part No. above + "G" suffix	72" Nylon Trailing Cultipacker	116	1,468.00
Part No. above + "G" suffix	84" Nylon Trailing Cultipacker	129	1,602.00

SECTION 5: MISCELLANEOUS (Dealer-Installed Optional Accessories)

Refer to Section 5 on page SE7 for Food Plot Seeder Miscellaneous Accessories.

Prices and specifications subject to change without notice.
 Prices effective January 1, 2021. Supersedes all previous pricing.
 Woods reserves the right to limit quantities and apply surcharges at any time.

FOOD PLOT SEEDERS (Continued)

Food Plot Seeder Miscellaneous Accessories – FPS48, FPS60, FPS72, FPS84

SECTION 5: MISCELLANEOUS (Dealer-Installed Optional Accessories)				
Model No.	Part No.	Description	Shipping Wt. (lbs.)	Suggested List Price
FPS48	103465548	48" Cast Iron Notched Trailing Cultipacker with 2.3" Spacing	244	\$ 1,207.00
FPS48	103877748	48" Nylon Trailing Cultipacker with Spring-Loaded Down Pressure	115	1,207.00
FPS48	103646948	Mud Scraper for FPS48 Spiked Drive Roller	21	175.00
FPS48	1036470	Mud Scraper for FPS48 Disc Blades	39	386.00
FPS48	103642048	Mud Scraper for FPS48 Cast Iron Trailing Cultipacker	18	175.00
FPS48	103642148	Mud Scraper for FPS48 Nylon Trailing Cultipacker	18	175.00
FPS60	103465560	60" Cast Iron Notched Trailing Cultipacker with 2.3" Spacing	263	1,331.00
FPS60	103877760	60" Nylon Trailing Cultipacker with Spring-Loaded Down Pressure	TBD	1,331.00
FPS60	103646960	Mud Scraper for FPS60 Spiked Drive Roller	24	188.00
FPS60	1036470	Mud Scraper for FPS60 Disc Blades	39	386.00
FPS60	103642060	Mud Scraper for FPS60 Cast Iron Trailing Cultipacker	20	188.00
FPS60	103642160	Mud Scraper for FPS60 Nylon Trailing Cultipacker	20	188.00
FPS72	103465572	72" Cast Iron Notched Trailing Cultipacker with 2.3" Spacing	342	1,468.00
FPS72	103877772	72" Nylon Trailing Cultipacker with Spring-Loaded Down Pressure	TBD	1,468.00
FPS72	103646972	Mud Scraper for FPS72 Spiked Drive Roller	29	206.00
FPS72	1036470	Mud Scraper for FPS72 Disc Blades	39	386.00
FPS72	103642072	Mud Scraper for FPS72 Cast Iron Trailing Cultipacker	22	206.00
FPS72	103642172	Mud Scraper for FPS72 Nylon Trailing Cultipacker	22	206.00
FPS84	103465584	84" Cast Iron Notched Trailing Cultipacker with 2.3" Spacing	387	1,602.00
FPS84	103877784	84" Nylon Trailing Cultipacker with Spring-Loaded Down Pressure	TBD	1,602.00
FPS84	103646984	Mud Scraper for FPS84 Spiked Drive Roller	32	224.00
FPS84	1036470	Mud Scraper for FPS84 Disc Blades	39	386.00
FPS84	103642084	Mud Scraper for FPS84 Cast Iron Trailing Cultipacker	25	224.00
FPS84	103642184	Mud Scraper for FPS84 Nylon Trailing Cultipacker	25	224.00
All Models	1038791	Quick Hitch Bushing Kit	1	58.00
All Models	1037330	Legume Seed Tube Kit	4	77.00
All Models	1036470	Mud Scraper for FPS Disc Blades	39	386.00
All Models	604387	Light Kit	TBD	503.00
FPS60/72/84	1038761	Frame Platform Kit	39	242.00

Prices and specifications subject to change without notice.
 Prices effective January 1, 2021. Supersedes all previous pricing.
 Woods reserves the right to limit quantities and apply surcharges at any time.

PRECISION SUPER SEEDERS

Hunting Edition Precision Super Seeders – PSS48, PSS60, PSS72, PSS84

FEATURES & SPECIFICATIONS:

Ideal for food plots

Tractor Engine HP Range (Tractor Hitch):
 PSS48: 25 – 45 hp (Cat. 1 & 2)
 PSS60: 30 – 65 hp (Cat. 1 & 2)
 PSS72: 35 – 85 hp (Cat. 1 & 2)
 PSS84: 40 – 125 hp (Cat. 2)

Working Width (in.): 48", 60", 72", 84"

Drive Type: Ground driven

Seed Metering: Fluted

Seed Cups: 7, 8, 10, 12

Seed Box Ratio: 2-speed (3/4-speed chain drive kit included; 2 more available)

Cool Season Seed Box Capacity (bu.):
 4.00, 5.00, 6.00, 7.00

Legume Seed Box Capacity (bu.):
 1.00, 1.25, 1.50, 1.75

Seed Cup Spacing: 7"

Adjustable Front 16"/18" Notched Disc Blades with 7.5" spacing

Cast Iron Trailing Cultipacker

ASABE Quick Hitch compatible



PSS60
Hunting Edition
Precision Super Seeder

HUNTING EDITION PRECISION SUPER SEEDER (Factory-Installed; pre-configured for food plots)

Model No.	Part No.	Description	Width (in.)	Shipping Wt. (lbs.)	Suggested List Price
PSS48	1036448DLC	48" Seeder, Spiked Drive Roller, Front 16" Notched Disc Blades, Cool Season Seed Box, Legume Seed Box and Cast Iron Trailing Cultipacker	48	1170	\$ 9,603.00
PSS60	1036460DLC	60" Seeder, Spiked Drive Roller, Front 16" Notched Disc Blades, Cool Season Seed Box, Legume Seed Box and Cast Iron Trailing Cultipacker	60	1457	10,606.00
PSS72	1036472DLC	72" Seeder, Spiked Drive Roller, Front 18" Notched Disc Blades, Cool Season Seed Box, Legume Seed Box and Cast Iron Trailing Cultipacker	72	1639	11,984.00
PSS84	1036484DLC	84" Seeder, Spiked Drive Roller, Front 18" Notched Disc Blades, Cool Season Seed Box, Legume Seed Box and Cast Iron Trailing Cultipacker	84	1786	13,679.00

MISCELLANEOUS (Dealer-Installed Optional Accessories)

Refer to Section 5 on pages SE13 – SE14 for Precision Super Seeder Miscellaneous Accessories.

Prices and specifications subject to change without notice.
 Prices effective January 1, 2021. Supersedes all previous pricing.
 Woods reserves the right to limit quantities and apply surcharges at any time.

PRECISION SUPER SEEDERS (Continued)

Conservation Edition Precision Super Seeders – PSS48, PSS60, PSS72, PSS84

FEATURES & SPECIFICATIONS:

Ideal for prairie/wetland restoration

Tractor Engine HP Range (Tractor Hitch):
 PSS48: 25 – 45 hp (Cat. 1 & 2)
 PSS60: 30 – 65 hp (Cat. 1 & 2)
 PSS72: 35 – 85 hp (Cat. 1 & 2)
 PSS84: 40 – 125 hp (Cat. 2)

Working Width (in.): 48", 60", 72", 84"

Drive Type: Ground driven

Seed Metering: Fluted and Picker Wheel

Seed Cups: 7, 8, 10, 12

Seed Box Ratio: 2-speed (3/4-speed chain drive kit included; 2 more available)

Cool Season Seed Box Capacity (bu.):
 4.00, 5.00, 6.00, 7.00

Native Warm Season Grass Seed Box[‡] Capacity (bu.): 5.00, 6.25, 7.50, 8.75

Legume Seed Box Capacity (bu.):
 1.00, 1.25, 1.50, 1.75

Seed Cup Spacing: 7"

Adjustable Front 16"/18" Notched Disc Blades with 7.5" spacing

Cast Iron Trailing Cultipacker

ASABE Quick Hitch compatible



PSS84
 Conservation Edition
 Precision Super Seeder

CONSERVATION EDITION PRECISION SUPER SEEDER (Factory-Installed; pre-configured for prairie/grassland restoration)

Model No.	Part No.	Description	Width (in.)	Shipping Wt. (lbs.)	Suggested List Price
PSS48	1036448DNLC	48" Seeder with Spiked Drive Roller, Front 16" Notched Disc Blades, Cool Season Seed Box, Native Warm Season Grass Seed Box [‡] , Legume Seed Box and Cast Iron Trailing Cultipacker	48	1468	\$ 11,716.00
PSS60	1036460DNLC	60" Seeder with Spiked Drive Roller, Front 16" Notched Disc Blades, Cool Season Seed Box, Native Warm Season Grass Seed Box [‡] , Legume Seed Box and Cast Iron Trailing Cultipacker	60	1643	12,791.00
PSS72	1036472DNLC	72" Seeder with Spiked Drive Roller, Front 18" Notched Disc Blades, Cool Season Seed Box, Native Warm Season Grass Seed Box [‡] , Legume Seed Box and Cast Iron Trailing Cultipacker	72	1861	14,261.00
PSS84	1036484DNLC	84" Seeder with Spiked Drive Roller, Front 18" Notched Disc Blades, Cool Season Seed Box, Native Warm Season Grass Seed Box [‡] , Legume Seed Box and Cast Iron Trailing Cultipacker	84	2047	16,076.00

[‡] Super Slow Chain Drive Kit recommended; see section 5 "Miscellaneous" on pages SE13 and SE14.

MISCELLANEOUS (Dealer-Installed Optional Accessories)

Refer to Section 5 on pages SE13 – SE14 for Precision Super Seeder Miscellaneous Accessories.

Prices and specifications subject to change without notice.
 Prices effective January 1, 2021. Supersedes all previous pricing.
 Woods reserves the right to limit quantities and apply surcharges at any time.

PRECISION SUPER SEEDERS (Continued)

Landscaper Edition Precision Super Seeders – PSS48, PSS60, PSS72, PSS84

FEATURES & SPECIFICATIONS:

Ideal for renovating turf

Tractor Engine HP Range (Tractor Hitch):
 PSS48: 25 – 45 hp (Cat. 1 & 2)
 PSS60: 30 – 65 hp (Cat. 1 & 2)
 PSS72: 35 – 85 hp (Cat. 1 & 2)
 PSS84: 40 – 125 hp (Cat. 2)

Working Width (in.): 48", 60", 72", 84"

Drive Type: Ground driven

Seed Metering: Fluted

Seed Cups: 7, 8, 10, 12

Seed Box Ratio: 2-speed (3/4-speed chain drive kit included; 2 more available)

Cool Season Seed Box Capacity (bu.):
 4.00, 5.00, 6.00, 7.00

Seed Cup Spacing: 7"

Adjustable Front Spiked Rollers with 0.5" x 2" carbide steel teeth

Cast Iron Trailing Cultipacker

ASABE Quick Hitch compatible

LANDSCAPER EDITION PRECISION SUPER SEEDER (Factory-Installed; pre-configured for turf renovation)					
Model No.	Part No.	Description	Width (in.)	Shipping Wt. (lbs.)	Suggested List Price
PSS48	1036448RC	48" Seeder with Spiked Drive Roller, Front Spiked Rollers, Cool Season Seed Box and Cast Iron Trailing Cultipacker	48	1078	\$ 7,490.00
PSS60	1036460RC	60" Seeder with Spiked Drive Roller, Front Spiked Rollers, Cool Season Seed Box and Cast Iron Trailing Cultipacker	60	1225	8,421.00
PSS72	1036472RC	72" Seeder with Spiked Drive Roller, Front Spiked Rollers, Cool Season Seed Box and Cast Iron Trailing Cultipacker	72	1536	9,707.00
PSS84	1036484RC	84" Seeder with Spiked Drive Roller, Front Spiked Rollers, Cool Season Seed Box and Cast Iron Trailing Cultipacker	84	1794	11,282.00

MISCELLANEOUS (Dealer-Installed Optional Accessories)

Refer to Section 5 on pages SE13 – SE14 for Precision Super Seeder Miscellaneous Accessories.

Prices and specifications subject to change without notice.
 Prices effective January 1, 2021. Supersedes all previous pricing.
 Woods reserves the right to limit quantities and apply surcharges at any time.

PRECISION SUPER SEEDERS (Continued)

Base Unit Precision Super Seeders – PSS48, PSS60, PSS72, PSS84

FEATURES & SPECIFICATIONS:

Ideal for food plots, prairie/wetland restoration, renovating turf, and seeding waterways	Cool Season Seed Box Capacity (bu.): 4.00, 5.00, 6.00, 7.00
Tractor Engine HP Range (Tractor Hitch): PSS48: 25 – 45 hp (Cat. 1 & 2) PSS60: 30 – 65 hp (Cat. 1 & 2) PSS72: 35 – 85 hp (Cat. 1 & 2) PSS84: 40 – 125 hp (Cat. 2)	Native Warm Season Grass Seed Box [‡] Capacity (bu.): 5.00, 6.25, 7.50, 8.75
Working Width (in.): 48", 60", 72", 84"	Legume Seed Box Capacity (bu.): 1.00, 1.25, 1.50, 1.75
Drive Type: Ground driven	Seed Cup Spacing: 7"
Seed Metering: Fluted and Picker Wheel	Adjustable Front 16"/18" Notched Disc Blades with 7.5" spacing
Seed Cups: 7, 8, 10, 12	Cast Iron Trailing Cultipacker
Seed Box Ratio: 2-speed (3/4-speed chain drive kit included; 2 more available)	ASABE Quick Hitch compatible

To order a Precision Super Seeder, choose a Base Unit from Section 1. For optional accessories, add from Sections 2 – 5. Must be ordered with either legume box or both native and legume boxes.

SECTION 1: BASE UNIT INCLUDES FRAME, REAR SPIKED ROLLER AND COOL SEASON SEED BOX (Factory-Installed – MUST Choose One)

Model No.	Part No.	Description	Width (in.)	Shipping Wt. (lbs.)	Suggested List Price
Base Unit with Front Disc Blades					
PSS48	1036448D	48" Base Unit with Front 16" Notched Disc Blades	48	872	\$ 6,283.00
PSS60	1036460D	60" Base Unit with Front 16" Notched Disc Blades	60	1089	7,090.00
PSS72	1036472D	72" Base Unit with Front 18" Notched Disc Blades	72	1204	8,239.00
PSS84	1036484D	84" Base Unit with Front 18" Notched Disc Blades	84	1313	9,680.00

SECTION 2: NATIVE WARM SEASON GRASS SEED BOX (Factory-Installed Optional Accessory[‡] – MUST Be Ordered With Legume Seed Box)

Part No.	Description	Add Wt.	Add Price
Part No. above + "N" suffix	48" Native Warm Season Grass Seed Box	170	\$ 2,113.00
Part No. above + "N" suffix	60" Native Warm Season Grass Seed Box	190	2,185.00
Part No. above + "N" suffix	72" Native Warm Season Grass Seed Box	210	2,277.00
Part No. above + "N" suffix	84" Native Warm Season Grass Seed Box	230	2,397.00

[‡] Super Slow Chain Drive Kit recommended; see section 5 "Miscellaneous" on pages SE13 and SE14.

SECTION 3: LEGUME SEED BOX (Factory-Installed Optional Accessory)

Part No.	Description	Add Wt.	Add Price
Part No. above + "L" suffix	48" Legume Seed Box	80	\$ 2,113.00
Part No. above + "L" suffix	60" Legume Seed Box	100	2,185.00
Part No. above + "L" suffix	72" Legume Seed Box	125	2,277.00
Part No. above + "L" suffix	84" Legume Seed Box	155	2,397.00

SECTION 4: CULTIPACKER (Factory-Installed Optional Accessory)

Part No.	Description	Add Wt.	Add Price
Part No. above + "C" suffix	48" Cast Iron Trailing Cultipacker	207	\$ 1,207.00
Part No. above + "C" suffix	60" Cast Iron Trailing Cultipacker	243	1,331.00
Part No. above + "C" suffix	72" Cast Iron Trailing Cultipacker	293	1,468.00
Part No. above + "C" suffix	84" Cast Iron Trailing Cultipacker	337	1,602.00

SECTION 5: MISCELLANEOUS (Dealer-Installed Optional Accessories)

Refer to Section 5 on pages SE13 – SE14 for Precision Super Seeder Miscellaneous Accessories.

Prices and specifications subject to change without notice.
Prices effective January 1, 2021. Supersedes all previous pricing.
Woods reserves the right to limit quantities and apply surcharges at any time.

PRECISION SUPER SEEDERS (Continued)

Base Unit Precision Super Seeders – PSS48, PSS60, PSS72, PSS84

FEATURES & SPECIFICATIONS:

Ideal for food plots, prairie/wetland restoration, renovating turf, and seeding waterways

Tractor Engine HP Range (Tractor Hitch):

PSS48: 25 – 45 hp (Cat. 1 & 2)

PSS60: 30 – 65 hp (Cat. 1 & 2)

PSS72: 35 – 85 hp (Cat. 1 & 2)

PSS84: 40 – 125 hp (Cat. 2)

Working Width (in.): 48", 60", 72", 84"

Drive Type: Ground driven

Seed Metering: Fluted and Picker Wheel

Seed Cups: 7, 8, 10, 12

Seed Box Ratio: 2-speed (3/4-speed chain drive kit included; 2 more available)

Cool Season Seed Box Capacity (bu.):

4.00, 5.00, 6.00, 7.00

Legume Seed Box Capacity (bu.):

1.00, 1.25, 1.50, 1.75

Seed Cup Spacing: 7"

Adjustable Front Spiked Rollers with 0.5" x 2" carbide steel teeth

Cast Iron Trailing Cultipacker

ASABE Quick Hitch compatible



Base Seeder with Cool Season Seed Box and Front Spiked Rollers

To order a Precision Super Seeder, choose a Base Unit from Section 1. For optional accessories, add from Sections 2 – 4.

Ordering examples: 1036448RL = PSS48 Base Unit with Front Spiked Rollers and Legume Seed Box

1036484RLC = PSS84 Base Unit with Front Spiked Rollers, Legume Seed Box and Cultipacker

SECTION 1: BASE UNIT INCLUDES FRAME, REAR SPIKED ROLLER AND COOL SEASON SEED BOX (Factory-Installed – MUST Choose One)

Model No.	Part No.	Description	Width (in.)	Shipping Wt. (lbs.)	Suggested List Price
Base Unit with Front Spiked Rollers					
PSS48	1036448R	48" Base Unit with Spiked Rollers	48	1061	\$ 6,283.00
PSS60	1036460R	60" Base Unit with Spiked Rollers	60	1150	7,090.00
PSS72	1036472R	72" Base Unit with Spiked Rollers	72	1277	8,239.00
PSS84	1036484R	84" Base Unit with Spiked Rollers	84	1426	9,680.00

SECTION 2: LEGUME SEED BOX (Factory-Installed Optional Accessory)

Part No.	Description	Add Wt.	Add Price
Part No. above + "L" suffix	48" Legume Seed Box	80	\$ 2,113.00
Part No. above + "L" suffix	60" Legume Seed Box	100	2,185.00
Part No. above + "L" suffix	72" Legume Seed Box	125	2,277.00
Part No. above + "L" suffix	84" Legume Seed Box	155	2,397.00

SECTION 3: CULTIPACKER (Factory-Installed Optional Accessory)

Part No.	Description	Add Wt.	Add Price
Part No. above + "C" suffix	48" Cast Iron Trailing Cultipacker	207	\$ 1,207.00
Part No. above + "C" suffix	60" Cast Iron Trailing Cultipacker	243	1,331.00
Part No. above + "C" suffix	72" Cast Iron Trailing Cultipacker	293	1,468.00
Part No. above + "C" suffix	84" Cast Iron Trailing Cultipacker	337	1,602.00

SECTION 4: MISCELLANEOUS (Dealer-Installed Optional Accessories)

Refer to Section 5 on pages SE13 – SE14 for Precision Super Seeder Miscellaneous Accessories.

Prices and specifications subject to change without notice.
 Prices effective January 1, 2021. Supersedes all previous pricing.
 Woods reserves the right to limit quantities and apply surcharges at any time.

PRECISION SUPER SEEDERS (Continued)

Precision Super Seeder Miscellaneous Accessories – PSS48, PSS60



Base Seeder with Cool Season Seed Box and Front Spiked Rollers, plus Optional Legume Seed Box and Cast Iron Trailing Cultipacker



Base Seeder with Cool Season Seed Box and Front Disc Blades, plus Optional Legume Seed Box, Warm Season Seed Box and Cast Iron Trailing Cultipacker

SECTION 5: MISCELLANEOUS (Dealer-Installed Optional Accessories)

For Use With	Part No.	Description	Shipping Wt. (lbs.)	Suggested List Price
PSS48	103565048	48" Front Spiked Rollers	266	\$ 1,510.00
PSS48	103465648	48" Front 16" Notched Disc Blades	TBD	1,510.00
PSS48	103567848	48" Legume Seed Box	TBD	2,113.00
PSS48	103465548	48" Cast Iron Trailing Cultipacker	244	1,207.00
PSS48	103877748	48" Nylon Trailing Cultipacker with Spring-Loaded Down Pressure	115	1,207.00
PSS48	103646948	Mud Scraper for PSS48 Spiked Drive Roller	21	175.00
PSS48	103646848	Mud Scraper for PSS48 Front Spiked Rollers	27	175.00
PSS48	1036470	Mud Scraper for PSS48 Disc Blades*	39	386.00
PSS48	103642048	Mud Scraper for PSS48 Cast Iron Trailing Cultipacker	18	175.00
PSS48	103642148	Mud Scraper for PSS48 Nylon Trailing Cultipacker	18	175.00
PSS48	60435248	Tow Kit for PSS48	590	4,232.00
PSS60	103565060	60" Front Spiked Rollers	281	1,702.00
PSS60	103465660	60" Front 16" Notched Disc Blades	282	1,702.00
PSS60	103568060	60" Native Warm Season Grass Seed Box [†]	245	2,185.00
PSS60	103567860	60" Legume Seed Box	155	2,185.00
PSS60	103465560	60" Cast Iron Trailing Cultipacker	263	1,331.00
PSS60	103877760	60" Nylon Trailing Cultipacker with Spring-Loaded Down Pressure	TBD	1,331.00
PSS60	103878560	Row Unit for PSS60 Cool Season Seed Box (use on Disc Blade models only)	31	499.00
PSS60	103646960	Mud Scraper for PSS60 Spiked Drive Roller	24	188.00
PSS60	103646860	Mud Scraper for PSS60 Front Spiked Rollers	30	188.00
PSS60	1036470	Mud Scraper for PSS60 Disc Blades*	39	386.00
PSS60	103642060	Mud Scraper for PSS60 Cast Iron Trailing Cultipacker	20	188.00
PSS60	103642160	Mud Scraper for PSS60 Nylon Trailing Cultipacker	20	188.00
PSS60	1038761	Frame Platform Kit	39	242.00
PSS60	60435260	Tow Kit for PSS60	600	4,264.00
All Models	1036370	Crank Handle	4	59.00
All Models	1022043	Quick Hitch Bushing Kit	2	53.00
All Models	1036395	Slow Chain Drive Kit (1/2-speed)	10	384.00
All Models	1036396	Super Slow Chain Drive Kit (1/4-speed)	25	657.00
All Models	1037330	Legume Seed Tube Kit	4	77.00
All Models	1036470	Mud Scraper for PSS Disc Blades*	39	386.00
All Models	1038658	Seed Stop Plates (Qty. of 12)	2	33.00

* Serial number 1280382 and older requires drilling holes in bearing mounts for disc blade mud scrapers.

[†] Super Slow Chain Drive Kit recommended.

Miscellaneous Accessories continued on following page.

Prices and specifications subject to change without notice.
 Prices effective January 1, 2021. Supersedes all previous pricing.
 Woods reserves the right to limit quantities and apply surcharges at any time.

PRECISION SUPER SEEDERS (Continued)

Precision Super Seeder Miscellaneous Accessories – PSS72, PSS84



Base Seeder with Cool Season Seed Box and Front Spiked Rollers, plus Optional Legume Seed Box and Cast Iron Trailing Cultipacker



Base Seeder with Cool Season Seed Box and Front Disc Blades, plus Optional Legume Seed Box, Warm Season Seed Box and Cast Iron Trailing Cultipacker

SECTION 5: MISCELLANEOUS (Dealer-Installed Optional Accessories, Continued)

For Use With	Part No.	Description	Shipping Wt. (lbs.)	Suggested List Price
PSS72	103565072	72" Front Spiked Rollers	385	\$ 1,978.00
PSS72	103465672	72" Front 18" Notched Disc Blades	TBD	1,978.00
PSS72	103568072	72" Native Warm Season Grass Seed Box [‡]	279	2,277.00
PSS72	103567872	72" Legume Seed Box	174	2,277.00
PSS72	103465572	72" Cast Iron Trailing Cultipacker	342	1,468.00
PSS72	103877772	72" Nylon Trailing Cultipacker with Spring-Loaded Down Pressure	TBD	1,468.00
PSS72	103878572	Row Unit for PSS72 Cool Season Seed Box (use on Disc Blade models only)	61	554.00
PSS72	103646972	Mud Scraper for PSS72 Spiked Drive Roller	29	206.00
PSS72	103646872	Mud Scraper for PSS72 Front Spiked Rollers	33	206.00
PSS72	1036470	Mud Scraper for PSS72 Disc Blades*	39	386.00
PSS72	103642072	Mud Scraper for PSS72 Cast Iron Trailing Cultipacker	22	206.00
PSS72	103642172	Mud Scraper for PSS72 Nylon Trailing Cultipacker	22	206.00
PSS72	1038761	Frame Platform Kit	39	242.00
PSS72	60435272	Tow Kit for PSS72	605	4,314.00
PSS84	103565084	84" Front Spiked Rollers	426	2,324.00
PSS84	103465684	84" Front 18" Notched Disc Blades	384	2,324.00
PSS84	103568084	84" Native Warm Season Grass Seed Box [‡]	312	2,397.00
PSS84	103567884	84" Legume Seed Box	198	2,397.00
PSS84	103465584	84" Cast Iron Trailing Cultipacker	387	1,602.00
PSS84	103877784	84" Nylon Trailing Cultipacker with Spring-Loaded Down Pressure	TBD	1,602.00
PSS84	103878584	Row Unit for PSS84 Cool Season Seed Box (use on Disc Blade models only)	80	612.00
PSS84	103646984	Mud Scraper for PSS84 Spiked Drive Roller	32	224.00
PSS84	103646884	Mud Scraper for PSS84 Front Spiked Rollers	37	224.00
PSS84	1036470	Mud Scraper for PSS84 Disc Blades*	39	386.00
PSS84	103642084	Mud Scraper for PSS84 Cast Iron Trailing Cultipacker	25	224.00
PSS84	103642184	Mud Scraper for PSS84 Nylon Trailing Cultipacker	25	224.00
PSS84	1038761	Frame Platform Kit	39	242.00
PSS84	60435284	Tow Kit for PSS84	610	4,363.00
All Models	1036370	Crank Handle	4	59.00
All Models	1022043	Quick Hitch Bushing Kit	2	53.00
All Models	1036395	Slow Chain Drive Kit (1/2-speed)	10	384.00
All Models	1036396	Super Slow Chain Drive Kit (1/4-speed)	25	657.00
All Models	1037330	Legume Seed Tube Kit	4	77.00
All Models	1036470	Mud Scraper for PSS Disc Blades*	39	386.00
All Models	1038658	Seed Stop Plates (Qty. of 12)	2	33.00

* Serial number 1280382 and older requires drilling holes in bearing mounts for disc blade mud scrapers.

‡ Super Slow Chain Drive Kit recommended.

Prices and specifications subject to change without notice.
 Prices effective January 1, 2021. Supersedes all previous pricing.
 Woods reserves the right to limit quantities and apply surcharges at any time.

TABLE OF CONTENTS

SB Series Standard-Duty and Medium-Duty Snow Blowers for Tractors SN2

SS Series Heavy-Duty Snow Blowers for Tractors SN3

**PRICING DOES NOT INCLUDE
CURRENT SURCHARGE AMOUNT**



SNOW BLOWERS FOR TRACTORS – STANDARD- AND MEDIUM-DUTY

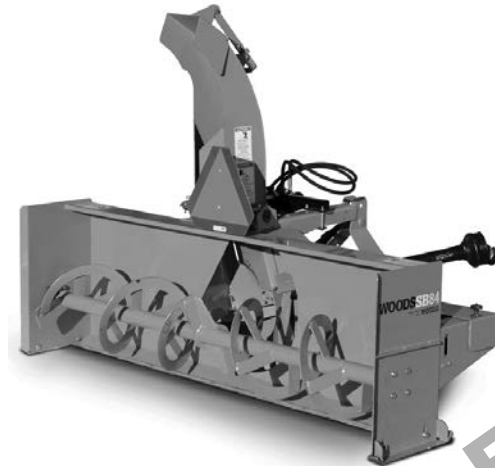
SB Series – SB54S & SB64S for Sub-Compact, SB74C & SB84C for Compact Tractors

SB54S & SB64S FEATURES:

- Category 1, 3-point hitch
- ASABE Quick Hitch compatible
- Single 15-inch heavy-duty feeder auger
- 5/16-inch x 2-inch flighting on feeder auger
- 4-blade, 22-inch diameter fan
- Mechanical deflector adjustment
- Replaceable, adjustable skids
- PTO, shear pin protection

SB74C & SB84C FEATURES:

- Category 1 and 2, 3-point hitch
- ASABE Quick Hitch compatible
- Single 15-inch heavy-duty feeder auger
- 5/16-inch x 2-inch flighting on feeder auger
- 4-blade, 24-inch diameter fan
- Mechanical deflector adjustment
- Replaceable, adjustable skids
- PTO, shear pin protection



Part No.	Description	Working Width (in.)	PTO Horsepower Requirements	Shipping Wt. (lbs.)	Suggested List Price
1033228	SB54S with PTO shaft – 540 rpm	54	15 – 25	528	\$ 3,323.00
1033229	SB64S with PTO shaft – 540 rpm	64	15 – 35	581	3,597.00
1033230	SB74C with PTO shaft – 540 rpm	74	30 – 50	730	4,142.00
1033231	SB84C with PTO shaft – 540 rpm	84	35 – 60	789	4,966.00

Available in Woods® orange only.

CHUTE ROTATION KIT (MUST Choose One)

1033269	Manual chute rotator, includes crank & mount			16	\$ 131.00
1033612	Hydraulic chute rotator, includes orbit motor, restrictors & hoses			27	759.00
1033732	Electric chute rotator, includes rotary actuator & wiring harness			20	1,056.00

OPTIONAL ACCESSORIES

1033731	Hydraulic chute deflector, includes cylinder, restrictors & hoses			7	\$ 534.00
1033733	Electric chute deflector, includes linear actuator (if ordered separately, also order 1034771)			3	402.00
1034771	Snow blower wiring harness			2	309.00
1022043	Category 1, Quick Hitch Bushing Kit			2	53.00

Prices and specifications subject to change without notice.
 Prices effective January 1, 2021. Supersedes all previous pricing.
 Woods reserves the right to limit quantities and apply surcharges at any time.

SNOW BLOWERS FOR TRACTORS – HEAVY-DUTY

SS Series – SS84-2, SS96-2, SS108-2

SS84-2, SS96-2 & SS108-2 FEATURES:

Category 2 and 3, 3-point hitch
 ASABE Quick Hitch compatible
 5/16-inch flighting on feeder auger(s)
 Hydraulic chute rotator included
 (Hydraulic motor, hoses and couplers)
 Replaceable, beveled cutting edge

SS84-2 SINGLE AUGER FEATURES:

Single 15-inch heavy-duty feeder auger
 4-blade, 33-inch diameter fan
 PTO, shear pin protection

SS96-2 & SS108-2 DOUBLE AUGER FEATURES:

Double 15-inch heavy-duty feeder augers
 4-blade, 33-inch diameter fan;
 Fan depth: 540 rpm = 9 inches,
 1000 rpm = 5.5 inches
 PTO, shear pin or clutch protection



Part No.	Description	Working Width (in.)	Horsepower Requirements	Shipping Wt. (lbs.)	Suggested List Price
1033634	SS84-2 Single Auger without PTO Shaft – 540 rpm	84	60 – 80	1310	\$ 7,293.00
1033636	SS96-2 Double Auger without PTO shaft – 540 rpm	96	80 – 150	1521	9,040.00
1033638	SS108-2 Double Auger without PTO shaft – 540 rpm	108	125 – 175	1635	11,309.00
1033637	SS96-2 Double Auger without PTO shaft – 1000 rpm	96	80 – 150	1508	9,062.00
1033639	SS108-2 Double Auger without PTO shaft – 1000 rpm	108	125 – 175	1635	11,223.00

Available in Woods® orange only.

NOTE: PTO shaft must be ordered with each SS84-2, SS96-2 and SS108-2.

PTO SHAFTS (Select One)

1029951	1-3/8" PTO shaft for models SS84-2, SS96-2 & SS108-2 – 540 rpm (shear bolt)	42	\$ 782.00
1029955	1-3/8" PTO shaft for models SS96-2 & SS108-2 – 1000 rpm (cut-out clutch)	71	1,302.00
1029956	1-3/4" PTO shaft for models SS96-2 & SS108-2 – 1000 rpm (cut-out clutch)	70	1,302.00

OPTIONAL ACCESSORIES

1033731	Hydraulic chute deflector, includes cylinder, restrictors & hoses	7	\$ 534.00
1033733	Electric chute deflector, includes linear actuator (also order 1034771)	3	402.00
1033984	SS84-2 double auger kit	152	1,015.00
1034771	Snow blower wiring harness	2	309.00
1033640	Secondary skid shoe kit	28	108.00

Prices and specifications subject to change without notice.
 Prices effective January 1, 2021. Supersedes all previous pricing.
 Woods reserves the right to limit quantities and apply surcharges at any time.

**PRICING DOES NOT INCLUDE
CURRENT SURCHARGE AMOUNT**

TABLE OF CONTENTS

Tractor / Loader Adaptability Chart LdrChart1 – LdrChart6
 LS-, LC- and LU-Series LdrChart1 – LdrChart6

SUB-COMPACT SERIES LOADERS

Model LS72 Quick Order **LS72QO1 – LS72QO4**
 Features and Specifications / Ordering Procedures LS72QO1
 Quick Order Section LS72QO2
 Completing Kits LS72QO3
 Miscellaneous / Tractor Notes LS72QO4

Model LS72 Component Order **LS72CO1 – LS72CO6**
 Features and Specifications / Ordering Procedures LS72CO1
 Tractor Reference Chart LS72CO2
 Components LS72CO3 – LS72CO6
 Tractor Notes LS72CO6

Model LS84 Quick Order **LS84QO1 – LS84QO6**
 Features and Specifications / Ordering Procedures LS84QO1
 Quick Order Section LS84QO2 – LS84QO3
 Completing Kits LS84QO4 – LS84QO5
 Miscellaneous / Tractor Notes LS84QO6

Model LS84 Component Order **LS84CO1 – LS84CO6**
 Features and Specifications / Ordering Procedures LS84CO1
 Tractor Reference Chart LS84CO2
 Components LS84CO3 – LS84CO6
 Tractor Notes LS84CO6

Model LS96R Quick Order **LS96RQO1 – LS96RQO4**
 Features and Specifications / Ordering Procedures LS96RQO1
 Quick Order Section LS96RQO2
 Components / Miscellaneous / Tractor Notes LS96RQO3

Continued on next page.

TABLE OF CONTENTS (Continued)

COMPACT SERIES LOADERS

Model LC96 Quick Order	LC96QO1 – LC96QO12
Features and Specifications / Ordering Procedures	LC96QO1
Quick Order Section	LC96QO2 – LC96QO8
Completing Kits	LC96QO9 – LC96QO11
Miscellaneous / Tractor Notes	LC96QO12
Model LC96 Component Order	LC96CO1 – LC96CO10
Features and Specifications / Ordering Procedures	LC96CO1
Tractor Reference Chart	LC96CO2 – LC96CO4
Components	LC96CO5 – LC96CO9
Tractor Notes	LC96CO10
Model LC102 Quick Order	LC102QO1 – LC102QO8
Features and Specifications / Ordering Procedures	LC102QO1
Quick Order Section	LC102QO2 – LC102QO4
Completing Kits	LC102QO5 – LC102QO7
Miscellaneous / Tractor Notes	LC102QO8
Model LC102 Component Order	LC102CO1 – LC102CO10
Features and Specifications / Ordering Procedures	LC102CO1
Tractor Reference Chart	LC102CO2 – LC102CO4
Components	LC102CO5 – LC102CO9
Tractor Notes	LC102CO10
Model LC108 Quick Order	LC108QO1 – LC108QO6
Features and Specifications / Ordering Procedures	LC108QO1
Quick Order Section	LC108QO2 – LC108QO3
Completing Kits	LC108QO4 – LC108QO5
Miscellaneous / Tractor Notes	LC108QO6
Model LC108 Component Order	LC108CO1 – LC108CO8
Features and Specifications / Ordering Procedures	LC108CO1
Tractor Reference Chart	LC108CO2 – LC108CO3
Components	LC108CO4 – LC108CO7
Tractor Notes	LC108CO8

Continued on next page.

TABLE OF CONTENTS (Continued)

COMPACT SERIES LOADERS (Continued)

Model LC114 Quick Order **LC114QO1 – LC114QO4**

 Features and Specifications / Ordering Procedures LC114QO1

 Quick Order Section LC114QO2

 Completing Kits LC114QO3

 Miscellaneous / Tractor Notes LC114QO4

Model LC114 Component Order **LC114CO1 – LC114CO6**

 Features and Specifications / Ordering Procedures LC114CO1

 Tractor Reference Chart LC114CO2

 Components LC114CO3 – LC114CO6

 Tractor Notes LC114CO6

UTILITY SERIES LOADERS

Model LU126 Quick Order **LU126QO1 – LU126QO8**

 Features and Specifications / Ordering Procedures LU126QO1

 Quick Order Section LU126QO2 – LU126QO4

 Completing Kits LU126QO5 – LU126QO7

 Miscellaneous / Tractor Notes LU126QO8

Model LU126 Component Order **LU126CO1 – LU126CO10**

 Features and Specifications / Ordering Procedures LU126CO1

 Tractor Reference Chart LU126CO2 – LU126CO4

 Components LU126CO5 – LU126CO9

 Tractor Notes LU126CO10

Model LU132 Quick Order **LU132QO1 – LU132QO4**

 Features and Specifications / Ordering Procedures LU132QO1

 Quick Order Section LU132QO2

 Completing Kits LU132QO3

 Miscellaneous / Tractor Notes LU132QO4

Model LU132 Component Order **LU132CO1 – LU132CO6**

 Features and Specifications / Ordering Procedures LU132CO1

 Tractor Reference Chart LU132CO2

 Components LU132CO3 – LU132CO6

 Tractor Notes LU132CO6

Continued on next page.



TABLE OF CONTENTS (Continued)

LOADER ATTACHMENTS

Pin-On, Quick Attach Buckets	LdrAttach1
Pin-On Loader Buckets	LdrAttach1
Quick Attach Loader Buckets	LdrAttach1
Quick Attach Coupler System	LdrAttach1
Optional Bolt-On Edges, Toothbars and Tine Kits	LdrAttach1
Alitec™ Buckets	LdrAttach2 – LdrAttach5
Construction Buckets	LdrAttach2 – LdrAttach3
Compact Articulated Loader Buckets	LdrAttach4
High Capacity, Light Material Buckets	LdrAttach5
Woods® Alitec™ Grapple Buckets	LdrAttach6 – LdrAttach7
Root Grapples	LdrAttach6
Scrap Grapples	LdrAttach7
Bale Spears	LdrAttach8
Weld-On Mounting Brackets	LdrAttach8
Pallet Forks	LdrAttach9
Loader Attachments Compatible with John Deere®	LdrAttach10
Quick Attach Pallet Forks	LdrAttach10
Bale Spears	LdrAttach10
Loader Attachments Compatible with Kubota®: Optional Buckets	LdrAttach11
Miscellaneous Loader Accessories	LdrAttach11

DISCONTINUED
LIMITED QUANTITIES
PRICING DOES NOT INCLUDE
CURRENT SURCHARGE AMOUNT

LOADERS – TRACTOR / LOADER ADAPTABILITY CHART

This chart is only to be used as a guide. For detailed information, refer to the Loader section indicated.

NOTE: Contact your Woods® representative for new series tractor mountings when not listed or Woods Equipment Company, Oregon Illinois, 1-800-319-6637 or go to dealer.woodsequipment.com.

Tractor Brand / Model	Sub-Compact Series			Compact Series				Utility Series	
	LS72	LS84	LS96R	LC96	LC102	LC108	LC114	LU126	LU132
AGCO®									
ST22A	X								
ST34A/ST41A				X	X				
ST35/ST35X/ST40/ST40X (Non-Hydro Models)				X	X				
BRANSON®									
2910/3510				X	X				
3820/4220/4720				X	X	X			
CASE IH®									
385/395/485/495								X	
454/464/484/84 Hydro								X	
574/584/684								X	
585/380B								X	
674								X	
3220								X	
C50/C60								X	
D25/DX25/D29/DX29/DX31/D33/DX33/DX34			X	X	X				
D35/DX35/D40/D45				X	X				
DX18E/DX22E/DX24E/DX25E	X								
DX21/DX23/DX24/DX26		X							
DX29/DX31/DX33/DX34		X							
DX40/DX45				X	X	X			
DX48/DX55						X	X		
Farmall 30B/35B				X	X				
Farmall 31/35			X	X	X				
Farmall 40/40B/45/50/50B				X	X				
Farmall 40C/50C				X	X				
Farmall 45/50						X			
Farmall 45A/55A						X	X		
Farmall 50A/60A/70A						X	X		
Farmall 55/60						X	X		
Farmall 65A/75A								X	
Farmall 70/80								X	X
Farmall 85/90/95								X	X
Farmall 85C/95C (Except Tier IV)								X	X
Farmall 85U/95U/105U								X	X
JX55/JX65 (Turbo & Non-Turbo versions)								X	
JX60/JX70								X	
JX75/JX85								X	X

Prices and specifications subject to change without notice.
 Prices effective January 1, 2021. Supersedes all previous pricing.
 Woods reserves the right to limit quantities and apply surcharges at any time.

LOADERS – TRACTOR / LOADER ADAPTABILITY CHART (Continued)

Tractor Brand / Model	Sub-Compact Series			Compact Series				Utility Series	
	LS72	LS84	LS96R	LC96	LC102	LC108	LC114	LU126	LU132
CASE IH® (Continued)									
JX80/JX90								X	X
JX95								X	X
JX1060C/JX1070C/JX1075C								X	X
JX1080U/JX1090U/JX1100U								X	X
JX1085C/JX1095C									X
CHALLENGER®									
MT265B/MT275B				X	X				
CUB CADET®									
7260/7265/7300/7305				X	X				
EX2900/EX3200			X						
FORD® & NEW HOLLAND®									
1110/1210		X							
1120/1215/1220		X							
1320/1520/1620/1715				X	X				
1530/1630				X	X				
1720				X	X				
1725/1925				X	X				
1920				X	X	X			
2000/3000 (1968 & Later)								X	
2310/2610/3610								X	
2600/3600								X	
2810/2910								X	
3010S								X	
3230/3430						X	X	X	
3910								X	
3930						X	X	X	
4000 AP/4100 AP								X	
4000 SU/4600 SU/4610 SU								X	
4100/4110								X	
4600 AP/4610 AP								X	
4610/4630								X	
4835/5635								X	
5000 (1965 & Later)								X	
5600/5610								X	
5610S/6610S								X	
5900								X	
6600/6610								X	
6635/7635								X	
Boomer 30/35/40/50				X	X				

Prices and specifications subject to change without notice.
 Prices effective January 1, 2021. Supersedes all previous pricing.
 Woods reserves the right to limit quantities and apply surcharges at any time.

LOADERS – TRACTOR / LOADER ADAPTABILITY CHART (Continued)

Tractor Brand / Model	Sub-Compact Series			Compact Series				Utility Series	
	LS72	LS84	LS96R	LC96	LC102	LC108	LC114	LU126	LU132
FORD® & NEW HOLLAND® (Continued)									
Boomer 41/47				X	X				
Boomer 3040/3045/3050, 8N				X	X	X			
T1010/T1030	X								
T1110/Boomer 1030	X								
T1510		X		X	X				
T1520				X	X				
T1530				X	X	X			
T2210/T2220				X	X				
T2310/T2320/T2330				X	X	X			
T2410/T2420						X	X		
T4040/T4050 (Except Tier IV)								X	X
T5040/T5050/T5060/T5070								X	X
TC18/TC21 (Prior to SN UF33357)		X							
TC21 (SN UF33357 & Later)/TC21DA/TC23DA/TC24/TC24DA/TC26DA		X							
TC25/TC25D/TC29/TC29D/TC29DA/TC31DA/TC33/TC33D/TC33DA/TC34DA				X	X				
TC29DA/TC31DA/TC33DA/TC34DA without Super Steer		X							
TC30		X		X	X				
TC35/TC35A/TC35D/TC40/TC40A/TC40D/TC45/TC45A/TC45D				X	X	X			
TC35DA					X	X			
TC40DA/TC45DA				X	X	X			
TC48DA/TC55DA						X	X		
TD75D/TD80D/TD90D/TD95D								X	X
TD5030/TD5050								X	X
TL70/TL80/TL90/TL100								X	
TL80A/TL90A/TL100A								X	X
TN55/TN55D/TN65D/TN70D/TN75D								X	X
TN60A								X	X
TN60DA								X	X
TN60Z									
TN65/TN70/TN75								X	X
TN70A/TN70DA/TN75A/TN75DA								X	X
TN85A/TN85DA/TN95A/TN95DA									X
TT45A/TT50A						X	X		
TT55								X	
TZ18DA/TZ22DA/TZ24DA/TZ25DA	X								
Workmaster 35/40			X						
Workmaster 45/55						X	X		
Workmaster 50/60/70						X	X		
Workmaster 65/75								X	

Prices and specifications subject to change without notice.
 Prices effective January 1, 2021. Supersedes all previous pricing.
 Woods reserves the right to limit quantities and apply surcharges at any time.

LOADERS – TRACTOR / LOADER ADAPTABILITY CHART (Continued)

Tractor Brand / Model	Sub-Compact Series			Compact Series				Utility Series	
	LS72	LS84	LS96R	LC96	LC102	LC108	LC114	LU126	LU132
JOHN DEERE®									
755/855	X								
770/790		X							
820								X	
830/830 Orchard								X	
870/970/1070 (Power Steering only)				X	X	X			
990				X	X	X			
1020/1520/2020								X	
1023E/1025R	X								
1530/1530 Orchard								X	
2030/2630								X	
2040 Orchard/2255 Orchard								X	
2150/2155/2040								X	
2210	X								
2240								X	
2240 NO								X	
2305	X								
2350/2355/2550/2555								X	
2355 Narrow Orchard								X	
2440/2440 Orchard/2640								X	
3005		X							
3033R/3039R/3046R			X						
3120/3320/3520/3720				X	X				
3203				X	X				
4010 (Compact)		X							
4120/4320/4520/4720 (Compact)				X	X	X	X		
4200/4210/4300/4310/4400/4410				X	X				
4500/4510/4600/4610/4700/4710				X	X	X			
5045E/5055E/5065E/5075E (Except Tier IV)								X	
5065M/5075M/5085M/5095M/5105M									
5103/5203/5303								X	
5105/5205								X	
5200/5210/5220/5300/5310/5320/5400								X	
5410/5420/5500/5510/5520								X	
KIOTI®									
CK20/CK20 HST		X							
DK35SE				X	X	X			
KUBOTA®									
B1550/B1750 HST	X								
B1700/B2100/B2400 with/without Bi-Speed Turn		X							
B2150 HST (All variations except Bi-Speed Turn)		X							
B2320/B2620/B2920	X								

Prices and specifications subject to change without notice.
 Prices effective January 1, 2021. Supersedes all previous pricing.
 Woods reserves the right to limit quantities and apply surcharges at any time.

LOADERS – TRACTOR / LOADER ADAPTABILITY CHART (Continued)

Tractor Brand / Model	Sub-Compact Series			Compact Series				Utility Series	
	LS72	LS84	LS96R	LC96	LC102	LC108	LC114	LU126	LU132
KUBOTA® (Continued)									
B2410		X							
B2710/B2910		X							
B3200/B3300SU		X							
B6100/B7100 (HST only)	X								
B6200 HST/B7200 HST	X								
B7300/B7400/B7500	X	X							
B7410/B7510/B7610	X	X							
B7800HSD		X							
B8200/B8200 HST		X							
BX1800/BX1830/BX2200/BX2230	X								
BX1850/BX2350/BX2360/BX2660	X								
L2050/L2250/L2350				X	X				
L2500/L2600				X	X				
L2501/L3301/L3901			X						
L2550/L2850/L3250				X	X	X			
L2650/L2950/L3450/L3650				X	X	X			
L2800/L3400			X	X	X				
L2800 HST/L3400 HST				X	X				
L2900/L3300/L3600/L4200				X	X	X			
L3010/L3410/L3710/L4310				X	X	X			
L3130/L3430/L3830				X	X	X			
L3200/L3800			X	X	X				
L3240/L3540				X	X	X			
L3430				X	X	X			
L3700SU			X	X	X				
L3940				X	X	X			
L4240/L4740				X	X	X	X		
L4330/L4630/L5030				X	X	X	X		
L4400				X	X	X			
L4600/L4610				X	X	X			
L5040/L5240/L5740						X	X		
M4700/M5400								X	
M4800SU/M4900SU/M5640SU								X	
M5040/M6040								X	
M6060/M7060								X	X
M7030SU									
M7040								X	X
M8200/M9000								X	X
M8540/M9540									X
MX5000				X	X	X			
MX5100						X	X		

Prices and specifications subject to change without notice.
 Prices effective January 1, 2021. Supersedes all previous pricing.
 Woods reserves the right to limit quantities and apply surcharges at any time.

LS72 Features and Specifications

FEATURES:

- Curved loader boom
- Midmount loader boom attachment
- Fast D-Tach loader
- Parking stands – stored on loader boom
- Manual tube on the loader boom cross tube
- Heavy-duty, round back bucket
- 2-year warranty

SPECIFICATIONS:

- | | |
|---|--|
| Fits 15 – 25 hp tractors (2WD & FWA) | Breakout at 19.7 inches ahead of bucket pivot pins: 900 lbs. |
| Lift height: 72 inches | Maximum digging depth: 4 inches |
| Lift cylinders: 1.57 inches; Single bucket cylinder: 2.48 inches | Dump angle: 45 degrees |
| Lift capacity at bucket pins: 650 lbs. | Roll back angle: 25 degrees |
| Lift capacity at 19.7 inches ahead of bucket pivot pins: 500 lbs. | Reach: 30 inches |
| Breakout at bucket pins: 1400 lbs. | Pivot pins diameter: 0.75 and 1.00 inches |

To Order a Complete Loader Using the Woods® Quick Order System

- Find the tractor brand and model you are attempting to fit in the **Tractor/Loader Adaptability Chart**.
- Select the loader model you wish to price (each model belongs to a Loader Series, i.e., Compact Series).
- Go to the appropriate Loader Model **Quick Order** tab.
- Find the tractor brand / model you are fitting.
- Order loader frame.
- Order pin-on bucket.
- Order completing kit.

Be sure to refer to the “Notes” column; Tractor Notes are found at the end of each tabbed section in the Loader price pages. Prices for each component are listed in the appropriate component section. If you have any questions, please contact Woods Dealer Services.

EXAMPLE

When ordering a loader to fit a Kubota® tractor, model BX2350 ROPS, do the following:

1. The Kubota BX2350 ROPS tractor is fit by one Woods loader model: LS72. (Reference Tractor/Loader Adaptability Chart.)
2. Flip to the LS72 **Quick Order** tab.
3. **Section 1** – Select tractor brand and model that the LS72 loader is to fit: Kubota BX2350 ROPS.
 - a. Order the loader frame #2107224 (Orange to match Kubota).
 - b. Order the bucket #2130448 (48” pin-on attachment bucket – Orange to match Kubota).
 - c. Order the completing kit #2104003H. Completing kit includes loader mount, hose kit and grill guard. List price of complete loader is \$3,882; total weight is 383 lbs.
If tractor is **not** equipped with OEM valve, then completing kit #2104003D would be ordered, which includes loader mount, valve and hose kits, and grill guard. List price of complete loader is \$4,893; total weight is 383 lbs.

Prices and specifications subject to change without notice.
Prices effective January 1, 2021. Supersedes all previous pricing.
Woods reserves the right to limit quantities and apply surcharges at any time.

Unless noted, each "Loader Complete" STANDARD configuration includes loader, bucket, and completing kit (mount, hydraulics and grill guard, if grill guard is available). Any deviation from standard configuration will require ordering components individually.

Quick Order Section – Loader Model LS72

Tractor Brand / Model	Loader Pkg. Type	Fits Tractor Type				Loader Frame Color	Quick Order Part Numbers				OEM Mid-Mower Compatible	Ship Wt. (lbs.)	Suggested List Price	Tractor Notes
		2WD	4WD	ROPS	CAB		LS72 Loader Frame	Bucket Width (in.)	Pin-On Bucket	Completing Kit *				
AGCO®														
ST22A	Pin-on		X	X		Black	2107220	48	2130048	2100017D	SM54A, SM59A	383	\$ 5,176	
CASE IH®														
DX18E/DX22E/ DX24E/DX25E	Pin-on		X	X		Red	2107222	48	2130048	2100008D	MWX154S, MWX160S	546	5,267	
FORD® & NEW HOLLAND®														
T1010/T1030	Pin-on		X	X		NH Vib Blue	2107227	48	2130048	2100008D	230GM	546	5,267	
T1110/Boomer 1030	Pin-on		X	X		NH Vib Blue	2107227	54	2130054	2100008D1	230GM	398	5,368	
TZ18DA/TZ22DA/ TZ24DA/TZ25DA	Pin-on		X	X		NH Vib Blue	2107227	48	2130048	2100008D	54CMS, 60CMS	546	5,267	
JOHN DEERE®														
755	Pin-on	X	X	X		Green	2107221	48	2130148	2101016H		562	4,320	2
855	Pin-on	X	X	X		Green	2107221	48	2130148	2101035H		583	4,320	2
1023E/1025R	Pin-on		X	X		Green	2107221	48	2130148	2100058H	54D, 60D	493	4,216	
2210	Pin-on		X	X		Green	2107221	48	2130148	2101027H	54C, 62C	383	4,234	
2305	Pin-on		X	X		Green	2107221	48	2130148	2101013H	54C, 62C	383	4,273	
KUBOTA®														
B1550/B1750 HST	Pin-on	X	X	X		Orange	2107224	48	2130448	2104023D		383	5,276	3
B2320/B2620/B2920	Pin-on		X	X		Orange	2107224	54	2130054	2104040H	RCK54-29B, RCK60-29B	572	4,288	6
B6100/B7100 (HST only)	Pin-on	X	X	X		Orange	2107224	48	2130448	2104011D	RC60-71B	383	5,276	
B6200HST	Pin-on	X	X	X		Orange	2107224	48	2130448	2104023D		383	5,276	3, 4
B7200HST	Pin-on	X	X	X		Orange	2107224	48	2130448	2104023D	RC60-71B	383	5,276	5
B7300/B7400/B7500	Pin-on	X	X	X		Orange	2107224	48	2130448	2104009D	RCK54-24B, RCK60-24B	626	5,151	
B7410/B7510/B7610	Pin-on	X	X	X		Orange	2107224	48	2130448	2104009D	RCK54-24B, RCK60-24B	626	5,151	
BX1800/BX1830/ BX2200/BX2230	Pin-on		X	X		Orange	2107224	48	2130448	2104007D	RCK54-22BX, RCK60B-22BX	549	4,970	
BX1850/BX2350/ BX2360/BX2660	Pin-on		X	X		Orange	2107224	48	2130448	2104003D	RCK48-18BX, RCK54-23BX, RCK60-23BX	383	4,893	
BX1850/BX2350/ BX2360/BX2660	Pin-on		X	X		Orange	2107224	48	2130448	2104003H	RCK48-18BX, RCK54-23BX, RCK60-23BX	383	3,882	6
MASSEY FERGUSON®														
GC1705/GC1715	Pin-on		X	X		Red	2107226	48	2130048	2100044H	2315, 2320, 2325	TBD	4,103	
GC2300	Pin-on		X	X		Red	2107226	48	2130048	2100017D	2315, 2320, 2325	383	5,176	1
GC2400/GC2600	Pin-on		X	X		Red	2107226	48	2130048	2100044D	2315, 2320, 2325	383	5,192	

* Completing Kits that end in D or D1 contain mounting kit, Woods Hydraulic Package (2-spool direct control valve and hose kit) and grill guard, if available. Completing Kits that end in H contain mounting kit, 4-hose kit (to connect loader to OEM remote valve) and grill guard, if available.

Prices and specifications subject to change without notice.
 Prices effective January 1, 2021. Supersedes all previous pricing.
 Woods reserves the right to limit quantities and apply surcharges at any time.

Unless noted, Completing Kits include Mount Kit, Woods® Hydraulic Package (or 4-Hose Kit for tractor remotes) and Grill Guard.

Completing Kits – Loader Model LS72

Tractor Brand / Model	Fits Tractor Type				Completing Kit Part No. *	Mount Kit	Woods Hydraulic Package		OR	4-Hose Kit	Grill Guard	Ship Wt. (lbs.)	Suggested List Price	Notes
	2WD	4WD	ROPS	CAB			Connects to OEM Valve or Remotes	2-Spool Valve Kit		Hoses for Loader Valve				
AGCO®														
ST22A		X	X		2100017D	2100017	1023512	1025957		N/A	1008519	0	\$ 2,011	
CASE IH®														
DX18E/DX22E/DX24E/DX25E		X	X		2100008D	2100008	1023512	1025950		N/A	1007767	163	2,102	
FORD® & NEW HOLLAND®														
T1010/T1030		X	X		2100008D	2100008	1023512	1025950		N/A	1007767	163	2,102	
T1110/Boomer 1030		X	X		2100008D1	2100008	1023512	1028350		N/A	1028322	0	2,132	
TZ18DA/TZ22DA/TZ24DA/TZ25DA		X	X		2100008D	2100008	1023512	1025950		N/A	1007767	163	2,102	
JOHN DEERE®														
755	X	X	X		2101016H	2101016	N/A	N/A		1025956	N/A	179	1,155	2
855	X	X	X		2101035H	2101035	N/A	N/A		1025956	N/A	200	1,155	2
1023E/1025R		X	X		2100058H	2100058	N/A	N/A		1044470	1044465	110	1,051	
2210		X	X		2101027H	2101027	N/A	N/A		1008505	1008507	0	1,069	
2305		X	X		2101013H	2101013	N/A	N/A		1008505	1016567	0	1,108	
KUBOTA®														
B1550/B1750	X	X	X		2104023D	2104023	1023512	1025958		N/A	N/A	0	2,111	3
B2320/B2620/B2920		X	X		2104040H	2104040	N/A	N/A		1019695	1028640	174	1,052	6
B6100/B7100 (HST only)	X	X	X		2104011D	2104011	1023512	1025952		N/A	N/A	0	2,111	
B6200HST	X	X	X		2104023D	2104023	1023512	1025958		N/A	N/A	0	2,111	3, 4
B7200HST	X	X	X		2104023D	2104023	1023512	1025958		N/A	N/A	0	2,111	5
B7300/B7400/B7500	X	X	X		2104009D	2104009	1023512	1024370		N/A	1014886	243	1,986	
B7410/B7510/B7610	X	X	X		2104009D	2104009	1023512	1024370		N/A	1014886	243	1,986	
BX1800/BX1830/BX2200/BX2230		X	X		2104007D	2104007	1023512	1025160		N/A	1007712	166	1,805	
BX1850/BX2350/BX2360/BX2660		X	X		2104003D	2104003	1023512	1023631		A	1007712	0	1,728	
BX1850/BX2350/BX2360/BX2660		X	X		2104003H	2104003	A	A		1019695	1007712	0	717	6
MASSEY FERGUSON®														
GC1705/GC1715		X	X		2100044H	2100044	N/A	N/A		1044606	1031079	TBD	938	
GC2300		X	X		2100017D	2100017	1023512	1025957		N/A	1008519	0	2,011	1
GC2400/GC2600		X	X		2100044D	2100044	1031078	included		N/A	1031079	0	2,027	

* Completing Kits that end in D or D1 contain mounting kit, Woods Hydraulic Package (2-spool direct control valve and hose kit) and grill guard, if available.
Completing Kits that end in H contain mounting kit, 4-hose kit (to connect loader to OEM remote valve) and grill guard, if available.

A = Available

N/A = Not Available

Prices and specifications subject to change without notice.
Prices effective January 1, 2021. Supersedes all previous pricing.
Woods reserves the right to limit quantities and apply surcharges at any time.

Miscellaneous – Loader Model LS72

Part No.	Description	Shipping Wt. (lbs.)	Suggested List Price
1005093	Paint – Case of 12 Spray Cans – Red to match Case IH®	13	\$ 173.00
1005095	Paint – Case of 12 Spray Cans – Blue to match New Holland® Vibrant Blue	13	173.00
1005096	Paint – Case of 12 Spray Cans – Blue to match New Holland Ford® Blue	13	173.00
1005097	Paint – Case of 12 Spray Cans – Orange to match Kubota®	13	173.00
1005098	Paint – Case of 12 Spray Cans – Red to match Massey Ferguson®	13	173.00

SUB-COMPACT SERIES LOADERS – TRACTOR NOTES**SECTION 4****Tractor Notes – Loader Model LS72**

1. Auxiliary hose kit 1025337 is required for tractors before serial number M-T4750.
2. Requires John Deere® Selective Control Valve (SCV).
3. Will not fit with Kubota mower.
4. Fits with power steering.
5. Rear mounting will not fit with power steering.
6. Requires OEM mid-mount loader valve.

PRICING DOES NOT INCLUDE CURRENT SURCHARGE AMOUNT

Prices and specifications subject to change without notice.
Prices effective January 1, 2021. Supersedes all previous pricing.
Woods reserves the right to limit quantities and apply surcharges at any time.

LS72 Features and Specifications

FEATURES:

- Curved loader boom
- Midmount loader boom attachment
- Fast D-Tach loader
- Parking stands – stored on loader boom
- Manual tube on the loader boom cross tube
- Heavy-duty, round back bucket
- 2-year warranty

SPECIFICATIONS:

- | | |
|---|--|
| Fits 15 – 25 hp tractors (2WD & FWA) | Breakout at 19.7 inches ahead of bucket pivot pins: 900 lbs. |
| Lift height: 72 inches | Maximum digging depth: 4 inches |
| Lift cylinders: 1.57 inches; Single bucket cylinder: 2.48 inches | Dump angle: 45 degrees |
| Lift capacity at bucket pins: 650 lbs. | Roll back angle: 25 degrees |
| Lift capacity at 19.7 inches ahead of bucket pivot pins: 500 lbs. | Reach: 30 inches |
| Breakout at bucket pins: 1400 lbs. | Pivot pins diameter: 0.75 and 1.00 inches |

To Order a Complete Loader by Ordering Individual Components

- Find the tractor brand and model you are attempting to fit in the **Tractor/Loader Adaptability Chart**.
- Select the loader model you wish to price (each model belongs to a Loader Series, i.e., Compact Series).
- Go to the appropriate Loader Model **Component Order** tab.
- Find the tractor brand / model you are fitting in the **Tractor Reference** section – part numbers needed to configure a loader are listed (except loader frame and bucket).
- Order loader frame.
- Order front-end attachment(s).
- Order mounting kit.
- Order valve kit.
- Order hose kit OR 4-hose kit to connect to OEM remote valve.
- Order grill guard.

Be sure to refer to the “Notes” column; Tractor Notes are found at the end of each tabbed section in the Loader price pages. Prices for each component are listed in the appropriate component section. If you have any questions, please contact Woods® Dealer Services.

EXAMPLE:

When ordering a loader to fit a Kubota® tractor, model B7510 ROPS, do the following:

1. The Kubota B7510 ROPS tractor is fit by two Woods loader models: LS72 and LS84. (Reference Tractor/Loader Adaptability Chart.) We are selecting the LS72 model.
2. Flip to the LS72 **Components** tab and go to the Tractor Reference Chart for components to order to complete the LS72 Loader.
 - a. **Section 1** – Order the loader frame #2107224 (Orange to match Kubota).
 - b. **Section 2** – Order the bucket #2130448 (48” pin-on attachment bucket – Orange to match Kubota).
 - c. **Section 3** – Order the mounting kit #2104009.
 - d. **Section 4** – Order the valve kit #1023512.
 - e. **Section 5** – Order the hose kit #1024370 OR the 4-hose kit # (N/A).
 - f. **Section 6** – Order grill guard #1014886.

Prices and specifications subject to change without notice.
Prices effective January 1, 2021. Supersedes all previous pricing.
Woods reserves the right to limit quantities and apply surcharges at any time.

SUB-COMPACT SERIES LOADERS – MODEL LS72 TRACTOR REFERENCE CHART

Tractor Brand / Model	Fits Tractor Type				Mount Kit	Hydraulic Package		4-Hose Kit Connects to OEM Valve	Grill Guard	OEM Mid-Mower Compatible	Tractor Notes
	2WD	4WD	ROPS	CAB		2-Spool Valve Kit	Hoses for Loader Valve				
AGCO®											
ST22A		X	X		2100017	1023512	1025957	N/A	1008519	SM54A, SM59A	
CASE IH®											
DX18E/DX22E/DX24E/DX25E		X	X		2100008	1023512	1025950	N/A	1007767	MWX154S, MWX160S	
FORD® & NEW HOLLAND®											
T1010/T1030		X	X		2100008	1023512	1025950	N/A	1007767	230GM	
T1110/Boomer 1030		X	X		2100008	1023512	1028350	N/A	1028322	230GM	
TZ18DA/TZ22DA/TZ24DA/TZ25DA		X	X		2100008	1023512	1025950	N/A	1007767	54CMS, 60CMS	
JOHN DEERE®											
755	X	X	X		2101016	N/A	N/A	1025956	N/A		2
855	X	X	X		2101035	N/A	N/A	1025956	N/A		2
1023E/1025R		X	X		2100058	N/A	N/A	1044470	1044465	54D, 60D	
2210		X	X		2101027	N/A	N/A	1008505	1008507	54C, 62C	
2305		X	X		2101013	N/A	N/A	1008505	1016567	54C, 62C	
KUBOTA®											
B1550/B1750 HST	X	X	X		2104023	1023512	1025958	N/A	N/A		3
B2320/B2620/B2920		X	X		2104040	N/A	N/A	1019695	1028640	RCK54-29B, RCK60-29B	6
B6100/B7100 (HST only)	X	X	X		2104011	1023512	1025952	N/A	N/A	RC60-71B	
B6200 HST	X	X	X		2104023	1023512	1025958	N/A	N/A		3, 4
B7200 HST	X	X	X		2104023	1023512	1025958	N/A	N/A	RC60-71B	5
B7300/B7400/B7500	X	X	X		2104009	1023512	1024370	N/A	1014886	RCK54-24B, RCK60-24B	
B7410/B7510/B7610	X	X	X		2104009	1023512	1024370	N/A	1014886	RCK54-24B, RCK60-24B	
BX1800/BX1830/BX2200/BX2230		X	X		2104007	1023512	1025160	N/A	1007712	RCK54-22BX, RCK60B-22BX	
BX1850/BX2350/BX2360/BX2660		X	X		2104003	1023512	1023631	1019695	1007712	RCK48-18BX, RCK54-23BX, RCK60-23BX	
MASSEY FERGUSON®											
GC1705/GC1715		X	X		2100044	N/A	N/A	1044606	1031079	2315, 2320, 2325	
GC2300		X	X		2100017	1023512	1025957	N/A	1008519	2315, 2320, 2325	1
GC2400/GC2600		X	X		2100044	1031078	included	N/A	1031079	2315, 2320, 2325	

Note: If listed, 4-hose kit for use with tractor remotes may be ordered instead of Woods® valve and hose kit for loader valve.

N/A = Not Available

Prices and specifications subject to change without notice.
 Prices effective January 1, 2021. Supersedes all previous pricing.
 Woods reserves the right to limit quantities and apply surcharges at any time.

Frames – Loader Model LS72

Part No.	Description	Shipping Wt. (lbs.)	Suggested List Price
2107220	Black (Universal)	265	\$ 2,581.00
2107221	Green to match John Deere®	265	2,581.00
2107222	Red to match Case IH®	265	2,581.00
2107223	Blue to match Ford® & New Holland®	265	2,581.00
2107224	Orange to match Kubota®	265	2,581.00
2107226	Red to match Massey Ferguson®	265	2,581.00
2107227	Vibrant Blue to match New Holland®	265	2,581.00
2107230	Red to match Mahindra®	265	2,581.00

SUB-COMPACT SERIES LOADERS – BUCKETS

SECTION 2

Buckets – Loader Model LS72

STANDARD BUCKETS – PIN-ON ATTACHMENT

Part No.	Width (in.)	Description	Capacity	Shipping Wt. (lbs.)	Suggested List Price
2130048	48	Heavy-Duty Loader Bucket – Pin-on Attach	6.0 cu. ft.	118	\$ 584.00
2130148	48	Heavy-Duty Loader Bucket – Pin-on Attach (green to match John Deere)	6.0 cu. ft.	118	584.00
2130448	48	Heavy-Duty Loader Bucket – Pin-on Attach (orange to match Kubota)	6.0 cu. ft.	118	584.00
2130054	54	Heavy-Duty Loader Bucket – Pin-on Attach	6.8 cu. ft.	133	655.00

OPTIONAL WEIGHT BOX FOR THREE-POINT HITCH

1006123	Weight Box for Rear Ballast – Fits Category 1, 3-Point Hitch	3.5 cu. ft.	93	\$ 479.00
---------	--	-------------	----	-----------

Prices and specifications subject to change without notice.
 Prices effective January 1, 2021. Supersedes all previous pricing.
 Woods reserves the right to limit quantities and apply surcharges at any time.

Mounting Kits – Loader Model LS72

Mount Kit Part No.	Tractor Brand / Model	Fits Tractor Type				Ship Wt. (lbs.)	Suggested List Price
		2WD	4WD	ROPS	CAB		
AGCO®							
2100017	ST22A		X	X		102	\$ 601.00
CASE IH®							
2100008	DX18E/DX22E/ DX24E/DX25E		X	X		102	557.00
FORD® & NEW HOLLAND®							
2100008	T1010/T1030		X	X		102	557.00
2100008	T1110/Boomer 1030		X	X		102	557.00
2100008	TZ18DA/TZ22DA/ TZ24DA/TZ25DA		X	X		102	557.00
JOHN DEERE®							
2101016	755	X	X	X		174	772.00
2101035	855	X	X	X		194	772.00
2100058	1023E/1025R		X	X		92	759.00
2101027	2210		X	X		107	611.00
2101013	2305		X	X		102	645.00
KUBOTA®							
2104023	B1550/B1750 HST	X	X	X		183	890.00
2104040	B2320/B2620/B2920		X	X		157	678.00
2104011	B6100/B7100 (HST only)	X	X	X		134	772.00

Mount Kit Part No.	Tractor Brand / Model	Fits Tractor Type				Ship Wt. (lbs.)	Suggested List Price
		2WD	4WD	ROPS	CAB		
KUBOTA (Continued)							
2104023	B6200 HST	X	X	X		183	\$ 890.00
2104023	B7200 HST	X	X	X		183	890.00
2104009	B7300/B7400/B7500	X	X	X		178	678.00
2104009	B7410/B7510/B7610	X	X	X		178	678.00
2104007	BX1800/BX1830/ BX2200/BX2230		X	X		104	432.00
2104003	BX1850/BX2350/ BX2360/BX2660		X	X		107	443.00
MASSEY FERGUSON®							
2100017	GC2300		X	X		102	601.00
2100044	GC1705/GC1715/ GC2400/GC2600		X	X		107	601.00

SUB-COMPACT SERIES LOADERS – LOADER VALVE KITS

SECTION 4

Valve Kits – Loader Model LS72

Part No.	Description	Shipping Wt. (lbs.)	Suggested List Price
1023512	Joystick Valve Kit – 2500 psi relief – Direct Control, Series Regenerative	37	\$ 1,011.00
1031078	Joystick Valve Kit – 2500 psi relief – Direct Control, Series Regenerative (includes hoses)	36	1,253.00

Prices and specifications subject to change without notice.
 Prices effective January 1, 2021. Supersedes all previous pricing.
 Woods reserves the right to limit quantities and apply surcharges at any time.

Hose Kits – Loader Model LS72

Part No.	Description	Shipping Wt. (lbs.)	Suggested List Price
1008505	Hose Kit – 4 Hoses with Couplers, John Deere® 2210/2305	6	\$ 279.00
1019695	Hose Kit – 4 Hoses with Couplers, Kubota® B2320/B2620/B2920, BX1850/BX2350, reference 2104003/040 mount kits	5	203.00
1023631	Hose Kit – Power Beyond, Kubota BX1850/BX2350/BX2360/BX2660, reference 2104003 mount kit	8	203.00
1024370	Hose Kit – Power Beyond, Kubota B7300/B7400/B7500, B7410/B7510/B7610, reference 2104009 mount kit	6	145.00
1025160	Hose Kit – Power Beyond, Kubota BX1800/BX1830/BX2200/BX2230, reference 2104007 mount kit	12	288.00
1025337	Hose Kit – Power Beyond, Massey Ferguson® GC2300 – Prior to SN M-T4750 (see Note 1)	5	243.00
1025950	Hose Kit – Power Beyond, Case IH® DX18E/DX22E/DX24E/DX25E and Ford® & New Holland® T1010/T1030, TZ18DA/TZ22DA/TZ24DA/TZ25DA, reference 2100008 mount kit	5	391.00
1025952	Hose Kit – Power Beyond, Kubota B6100/B7100, reference 2104011 mount kit	6	325.00
1025956	Hose Kit – 4 Hoses with Couplers, John Deere 755/855, reference 2101016/035 mount kits	6	380.00
1025958	Hose Kit – Power Beyond, Kubota B1550/B1750 HST, B6200 HST, B7200 HST	4	325.00
1028350	Hose Kit – Power Beyond, New Holland T1110/Boomer 1030, reference 2100008 mount kit	5	391.00
1044470	Hose Kit – 4 Hoses with Couplers, John Deere 1023E/1025R, reference 2100058 mount kit	6	202.00
1044606	Hose Kit – 4 Hoses with Couplers, Massey Ferguson GC1705/GC1715, reference 2100044 mount kit	6	165.00

SUB-COMPACT SERIES LOADERS – GRILL GUARDS

SECTION 6

Grill Guards – Loader Model LS72

Part No.	Description	Shipping Wt. (lbs.)	Suggested List Price
1007712	Grill Guard – Kubota BX1800/BX1830/BX2200/BX2230, BX1850/BX2350/BX2360/BX2660, reference 2104003/007 mount kits	13	\$ 74.00
1007767	Grill Guard – Case IH DX18E/DX22E/DX24E/DX25E and Ford & New Holland T1010/T1030, TZ18DA/TZ22DA/TZ24DA/TZ25DA, reference 2100008 mount kit	19	149.00
1008507	Grill Guard – John Deere 2210, reference 2100027 mount kit	26	175.00
1008519	Grill Guard – AGCO® ST22A and Massey Ferguson GC2300, reference 2100017 mount kit	23	173.00
1014886	Grill Guard – Kubota B7300/B7400/B7500, B7410/B7510/B7610, reference 2104009 mount kit	22	153.00
1016567	Grill Guard – John Deere 2305, reference 2101013/014 mount kit	22	184.00
1028322	Grill Guard – New Holland T1110/Boomer 1030, reference 2100008 mount kit	22	175.00
1028640	Grill Guard – Kubota B2320/B2620/B2920, reference 2104040 mount kit	17	173.00
1031079	Grill Guard – Massey Ferguson GC1705/GC1715, GC2400/GC2600, reference 2100044 mount kit	16	173.00
1044465	Grill Guard – John Deere 1023E/1025R, reference 2100058 mount kit	12	97.00

Prices and specifications subject to change without notice.
 Prices effective January 1, 2021. Supersedes all previous pricing.
 Woods reserves the right to limit quantities and apply surcharges at any time.

Miscellaneous – Loader Model LS72

Part No.	Description	Shipping Wt. (lbs.)	Suggested List Price
1005093	Paint – Case of 12 Spray Cans – Red to match Case IH®	13	\$ 173.00
1005095	Paint – Case of 12 Spray Cans – Blue to match New Holland® Vibrant Blue	13	173.00
1005096	Paint – Case of 12 Spray Cans – Blue to match New Holland Ford® Blue	13	173.00
1005097	Paint – Case of 12 Spray Cans – Orange to match Kubota®	13	173.00
1005098	Paint – Case of 12 Spray Cans – Red to match Massey Ferguson®	13	173.00

SUB-COMPACT SERIES LOADERS – TRACTOR NOTES

SECTION 8

Tractor Notes – Loader Model LS72

1. Auxiliary hose kit 1025337 is required for tractors before serial number M-T4750.
2. Requires John Deere® Selective Control Valve (SCV).
3. Will not fit with Kubota mower.
4. Fits with power steering.
5. Rear mounting will not fit with power steering.
6. Requires OEM mid-mount loader valve.

PRICING DOES NOT INCLUDE CURRENT SURCHARGE AMOUNT

Prices and specifications subject to change without notice.
 Prices effective January 1, 2021. Supersedes all previous pricing.
 Woods reserves the right to limit quantities and apply surcharges at any time.

LS84 Features and Specifications

FEATURES:

- Curved loader boom
- Midmount loader boom attachment
- Fast D-Tach loader
- Parking stands – stored on loader boom
- Manual tube on the loader boom cross tube
- Heavy-duty, round back bucket
- 2-year warranty

SPECIFICATIONS:

- | | |
|---|---|
| Fits 20 – 30 hp tractors (2WD & FWA) | Breakout at 19.7 inches ahead of bucket pivot pins: 1200 lbs. |
| Lift height: 84 inches | Maximum digging depth: 4 inches |
| Lift cylinders: 1.57 inches; Single bucket cylinder: 2.48 inches | Dump angle: 45 degrees |
| Lift capacity at bucket pins: 1000 lbs. | Roll back angle: 24 degrees |
| Lift capacity at 19.7 inches ahead of bucket pivot pins: 700 lbs. | Reach: 24 inches |
| Breakout at bucket pins: 1700 lbs. | Pivot pins diameter: 0.75 and 1.00 inches |

To Order a Complete Loader Using the Woods® Quick Order System

- Find the tractor brand and model you are attempting to fit in the **Tractor/Loader Adaptability Chart**.
- Select the loader model you wish to price (each model belongs to a Loader Series, i.e., Compact Series).
- Go to the appropriate Loader Model **Quick Order** tab.
- Find the tractor brand / model you are fitting.
- Order loader frame.
- Order pin-on bucket.
- Order completing kit.

Be sure to refer to the “Notes” column; Tractor Notes are found at the end of each tabbed section in the Loader price pages. Prices for each component are listed in the appropriate component section. If you have any questions, please contact Woods Dealer Services.

EXAMPLE

When ordering a loader to fit a New Holland® tractor, model TC21DA ROPS, do the following:

1. The New Holland TC21DA ROPS tractor is fit by one Woods loader model: LS84. (Reference Tractor/Loader Adaptability Chart.)
2. Flip to the LS84 **Quick Order** tab.
3. **Section 1** – Select tractor brand and model that the LS84 loader is to fit: New Holland TC21DA ROPS.
 - a. Order the loader frame #2108427 (NH Vibrant Blue to match New Holland).
 - b. Order the bucket #2160054 (54” pin-on attachment bucket).
 - c. Order the completing kit #2100001D. Completing kit includes loader mount, valve and hose kits, and grill guard (if available). List price of complete loader is \$6,297; total weight is 503 lbs.

Prices and specifications subject to change without notice.
Prices effective January 1, 2021. Supersedes all previous pricing.
Woods reserves the right to limit quantities and apply surcharges at any time.

Unless noted, each “Loader Complete” STANDARD configuration includes loader, bucket, and completing kit (mount, hydraulics and grill guard, if grill guard is available). Any deviation from standard configuration will require ordering components individually.

Quick Order Section – Loader Model LS84

Tractor Brand / Model	Loader Pkg. Type	Fits Tractor Type				Loader Frame Color	Quick Order Part Numbers				OEM Mid-Mower Compatible	Ship Wt. (lbs.)	Suggested List Price	Tractor Notes
		2WD	4WD	ROPS	CAB		LS84 Loader Frame	Bucket Width (in.)	Pin-On Bucket	Completing Kit *				
CASE IH®														
DX21/DX23/DX24/DX26	Pin-on	X	X	X		Red	2108422	54	2160054	2100001D		503	\$ 6,297	6
DX29/DX31/DX33/DX34	Pin-on	X	X	X		Red	2108422	54	2160054	2100010D	Case IH MWX72S	503	6,006	8, 9
DX29/DX31/DX33/DX34	Pin-on	X	X	X		Red	2108422	54	2160054	2100010H	Case IH MWX72S	TBD	5,117	8, 9
FORD® & NEW HOLLAND®														
1110/1210	Pin-on	X	X	X		Fd-NH Blue	2108423	54	2160054	2100024D	Ford 916, 916A / Woods 348 F12	503	5,747	
1120/1215/1220	Pin-on	X	X	X		Fd-NH Blue	2108423	54	2160054	2100020D	Ford 914	503	6,312	6
T1510	Pin-on		X	X		NH Vib Blue	2108427	60	2160060	2100010D1	New Holland 914A	752	6,095	9
TC18/TC21 (Prior to SN UF33357)	Pin-on	X	X	X		NH Vib Blue	2108427	54	2160054	2100020D	New Holland 914A	503	6,312	6, 12
TC21 (SN UF33357 & Later)/TC21DA/TC23DA/TC24/TC24DA/TC26DA	Pin-on		X	X		NH Vib Blue	2108427	54	2160054	2100001D	New Holland 914A	503	6,297	6, 10
TC29DA/TC31DA/TC33DA/TC34DA without Super Steer	Pin-on	X	X	X		NH Vib Blue	2108427	54	2160054	2100010D	New Holland 914A	503	6,006	8, 9
TC29DA/TC31DA/TC33DA/TC34DA without Super Steer	Pin-on	X	X	X		NH Vib Blue	2108427	54	2160054	2100010H	New Holland 914A	TBD	5,117	8, 9
TC30	Pin-on	X	X	X		NH Vib Blue	2108427	54	2160054	2100010D1	New Holland 914A	736	6,039	9
JOHN DEERE®														
770/790	Pin-on	X	X	X		Green	2108421	54	2160054	2100032H		503	5,050	4
3005	Pin-on	X	X	X		Green	2108421	54	2160054	2100032H		503	5,050	4
4010	Pin-on		X	X		Green	2108421	54	2160054	2100022H	54" & 60"	503	4,896	4
KIOTI®														
CK20/CK20 HST	Pin-on		X	X		Orange	2108424	54	2160054	2100005H	KMR03-60SD	684	5,199	7
KUBOTA®														
B1700/B2100/B2400 with or without Bi-Speed Turn	Pin-on	X	X	X		Orange	2108424	54	2160054	2104002D	RC54860-24B	768	5,877	
B2150 HST (All variations except Bi-Speed Turn)	Pin-on	X	X	X		Orange	2108424	54	2160054	2104015D	RC72-B	503	5,788	3, 13
B2410	Pin-on	X	X	X		Orange	2108424	54	2160054	2104002D	RCK54-24B, RCK60-24B	768	5,877	
B2710/B2910	Pin-on	X	X	X		Orange	2108424	54	2160054	2104012D	RCK60-27B, RCK72-27B	503	6,131	
B3200	Pin-on	X	X	X		Orange	2108424	60	2160060	2104045H	RCK60-27BA, RCK72-27BA	724	4,975	11
B3300SU	Pin-on		X	X		Orange	2108424	54	2160054	2104045H		708	4,919	11

* Completing Kits that end in D or D1 contain mounting kit, Woods Hydraulic Package (2-spool direct control valve and hose kit) and grill guard, if available. Completing Kits that end in H contain mounting kit, 4-hose kit (to connect loader to OEM remote valve) and grill guard, if available.

Prices and specifications subject to change without notice.
 Prices effective January 1, 2021. Supersedes all previous pricing.
 Woods reserves the right to limit quantities and apply surcharges at any time.

Unless noted, each “Loader Complete” STANDARD configuration includes loader, bucket, and completing kit (mount, hydraulics and grill guard, if grill guard is available). Any deviation from standard configuration will require ordering components individually.

Quick Order Section – Loader Model LS84 (Continued)

Tractor Brand / Model	Loader Pkg. Type	Fits Tractor Type				Loader Frame Color	Quick Order Part Numbers				OEM Mid-Mower Compatible	Ship Wt. (lbs.)	Suggested List Price	Tractor Notes
		2WD	4WD	ROPS	CAB		LS84 Loader Frame	Bucket Width (in.)	Pin-On Bucket	Completing Kit *				
KUBOTA® (Continued)														
B7300	Pin-on	X	X	X		Orange	2108424	54	2160054	2104002D	RCK54-24B, RCK60-24B	768	\$ 5,877	2
B7400/B7500	Pin-on	X	X	X		Orange	2108424	54	2160054	2104002D	RCK54-24B, RCK60-24B	768	5,877	
B7410/B7510/B7610	Pin-on	X	X	X		Orange	2108424	54	2160054	2104002D	RCK54, RCK60	768	5,877	
B7800HSD	Pin-on	X	X	X		Orange	2108424	54	2160054	2104012D	RCK60-27B, RCK72-27B	503	6,131	
B8200	Pin-on	X	X	X		Orange	2108424	54	2160054	2104015D	Kubota RC60-82H, Woods L59 K82	503	5,788	1, 2
B8200 HST	Pin-on	X	X	X		Orange	2108424	54	2160054	2104015D	Kubota RC60-82H, Woods L59 K82	503	5,788	2

* Completing Kits that end in D or D1 contain mounting kit, Woods Hydraulic Package (2-spool direct control valve and hose kit) and grill guard, if available. Completing Kits that end in H contain mounting kit, 4-hose kit (to connect loader to OEM remote valve) and grill guard, if available.

PRICING DOES NOT INCLUDE CURRENT SURCHARGE

Prices and specifications subject to change without notice.
 Prices effective January 1, 2021. Supersedes all previous pricing.
 Woods reserves the right to limit quantities and apply surcharges at any time.

Unless noted, Completing Kits include Mount Kit, Woods® Hydraulic Package (or 4-Hose Kit for tractor remotes) and Grill Guard.

Completing Kits – Loader Model LS84

Tractor Brand / Model	Fits Tractor Type				Completing Kit Part No. *	Mount Kit	Woods Hydraulic Package		OR	4-Hose Kit		Grill Guard	Ship Wt. (lbs.)	Suggested List Price	Notes
	2WD	4WD	ROPS	CAB			2-Spool Valve Kit	Hoses for Loader Valve		Connects to OEM Valve or Remotes					
CASE IH®															
DX21/DX23/DX24/DX26	X	X	X		2100001D	2100001	1023512	1024383		N/A	1025976	0	\$ 2,622	6	
DX29/DX31/DX33/DX34	X	X	X		2100010D	2100010	1023512	1023531		A	1025161	0	2,331	8, 9	
DX29/DX31/DX33/DX34	X	X	X		2100010H	2100010	A	A		1005689	1025161	TBD	1,442	8, 9	
FORD® & NEW HOLLAND®															
1110/1210	X	X	X		2100024D	2100024	1023512	1025963		N/A	N/A	0	2,072		
1120/1215/1220	X	X	X		2100020D	2100020	1023512	1024383		N/A	1025976	0	2,637	6	
T1510		X	X		2100010D1	2100010	1023512	1023531		A	1026864	233	2,364	9	
TC18/TC21 (Prior to SN UF33357)	X	X	X		2100020D	2100020	1023512	1024383		N/A	1025976	0	2,637	6, 12	
TC21 (SN UF33357 & Later)/ TC21DA/TC23DA/TC24/ TC24DA/TC26DA		X	X		2100001D	2100001	1023512	1024383		N/A	1025976	0	2,622	6, 10	
TC29DA/TC31DA/ TC33DA/TC34DA without Super Steer	X	X	X		2100010D	2100010	1023512	1023531		A	1025161	0	2,331	8, 9	
TC29DA/TC31DA/ TC33DA/TC34DA without Super Steer	X	X	X		2100010H	2100010	A	A		1005689	1025161	TBD	1,442	8, 9	
TC30	X	X	X		2100010D1	2100010	1023512	1023531			1026864	233	2,364	9	
JOHN DEERE®															
770/790	X	X	X		2100032H	2100032	N/A	N/A		1025966	1026368	0	1,375	4	
3005	X	X	X		2100032H	2100032	N/A	N/A		1025966	1026368	0	1,375	4	
4010		X	X		2100022H	2100022	N/A	N/A		1012893	1025980	0	1,221	4	
KIOTI®															
CK20/CK20 HST		X	X		2100005H	2100005	N/A	N/A		1009587	1025982	181	1,524	7	
KUBOTA®															
B1700/B2100/B2400 with or without Bi-Speed Turn	X	X	X		2104002D	2104002	1023512	1024370		N/A	1014886	265	2,202		
B2150 HST (All variations except Bi-Speed Turn)	X	X	X		2104015D	2104015	1023512	1025955		N/A	N/A	0	2,113	3, 13	
B2410	X	X	X		2104002D	2104002	1023512	1024370		N/A	1014886	265	2,202		
B2710/B2910	X	X	X		2104012D	2104012	1023512	1025951		N/A	1025975	0	2,456		
B3200	X	X	X		2104045H	2104045	N/A	N/A		1019695	1031140	205	1,244	11	
B3300SU		X	X		2104045H	2104045	N/A	N/A		1019695	1031140	205	1,244	11	
B7300	X	X	X		2104002D	2104002	1023512	1024370		N/A	1014886	265	2,202	2	
B7400/B7500	X	X	X		2104002D	2104002	1023512	1024370		N/A	1014886	265	2,202		

* Completing Kits that end in D or D1 contain mounting kit, Woods Hydraulic Package (2-spool direct control valve and hose kit) and grill guard, if available. Completing Kits that end in H contain mounting kit, 4-hose kit (to connect loader to OEM remote valve) and grill guard, if available.

A = Available

N/A = Not Available

Prices and specifications subject to change without notice.
 Prices effective January 1, 2021. Supersedes all previous pricing.
 Woods reserves the right to limit quantities and apply surcharges at any time.

Unless noted, Completing Kits include Mount Kit, Woods® Hydraulic Package (or 4-Hose Kit for tractor remotes) and Grill Guard.

Completing Kits – Loader Model LS84 (Continued)

Tractor Brand / Model	Fits Tractor Type				Completing Kit Part No. *	Mount Kit	Woods Hydraulic Package		OR	4-Hose Kit	Grill Guard	Ship Wt. (lbs.)	Suggested List Price	Notes
	2WD	4WD	ROPS	CAB			Connects to OEM Valve or Remotes	2-Spool Valve Kit		Hoses for Loader Valve				
KUBOTA® (Continued)														
B7410/B7510/B7610	X	X	X		2104002D	2104002	1023512	1024370		N/A	1014886	265	\$ 2,202	
B7800HSD	X	X	X		2104012D	2104012	1023512	1025951		N/A	1025975	0	2,456	
B8200	X	X	X		2104015D	2104015	1023512	1025955		N/A	N/A	0	2,113	1, 2
B8200 HST	X	X	X		2104015D	2104015	1023512	1025955		N/A	N/A	0	2,113	2

* Completing Kits that end in D or D1 contain mounting kit, Woods Hydraulic Package (2-spool direct control valve and hose kit) and grill guard, if available.
 Completing Kits that end in H contain mounting kit, 4-hose kit (to connect loader to OEM remote valve) and grill guard, if available.

A = Available

N/A = Not Available

PRICING DOES NOT INCLUDE CURRENT SURCHARGE AMOUNT

Prices and specifications subject to change without notice.
 Prices effective January 1, 2021. Supersedes all previous pricing.
 Woods reserves the right to limit quantities and apply surcharges at any time.

Miscellaneous – Loader Model LS84

Part No.	Description	Shipping Wt. (lbs.)	Suggested List Price
1005093	Paint – Case of 12 Spray Cans – Red to match Case IH®	13	\$ 173.00
1005095	Paint – Case of 12 Spray Cans – Blue to match New Holland® Vibrant Blue	13	173.00
1005096	Paint – Case of 12 Spray Cans – Blue to match New Holland Ford® Blue	13	173.00
1005097	Paint – Case of 12 Spray Cans – Orange to match Kubota®	13	173.00
1005098	Paint – Case of 12 Spray Cans – Red to match Massey Ferguson®	13	173.00

SUB-COMPACT SERIES LOADERS – TRACTOR NOTES

SECTION 4

Tractor Notes – Loader Model LS84

1. Will not fit with Kubota mower.
2. Rear mounting will not fit with power steering.
3. Will not fit tractors with shiftable bi-speed turn.
4. Requires John Deere® Selective Control Valve (SCV). Hose kit fits tractors with right side quick couplers only.
5. Requires Cub Cadet® valve kit 590-620-100.
6. Loader will not fit with Case IH/New Holland factory-installed valve.
7. Requires factory-installed valve on tractor. Hose kit listed connects to tractor valve.
8. Fits with OEM auxiliary valve – use tractor hydraulic hose kit.
9. Requires 1004750 mower reinforcement to fit with OEM mid-mower.
10. OEM 914A mower requires 1024377 mower mounting kit.
11. Requires OEM mid-mount loader valve.
12. OEM 914A mower requires 1024387 mower mounting kit.
13. Will not work with 60” mower.

Prices and specifications subject to change without notice.
 Prices effective January 1, 2021. Supersedes all previous pricing.
 Woods reserves the right to limit quantities and apply surcharges at any time.

LS84 Features and Specifications

FEATURES:

- Curved loader boom
- Midmount loader boom attachment
- Fast D-Tach loader
- Parking stands – stored on loader boom
- Manual tube on the loader boom cross tube
- Heavy-duty, round back bucket
- 2-year warranty

SPECIFICATIONS:

- | | |
|---|---|
| Fits 20 – 30 hp tractors (2WD & FWA) | Breakout at 19.7 inches ahead of bucket pivot pins: 1200 lbs. |
| Lift height: 84 inches | Maximum digging depth: 4 inches |
| Lift cylinders: 1.57 inches; Single bucket cylinder: 2.48 inches | Dump angle: 45 degrees |
| Lift capacity at bucket pins: 1000 lbs. | Roll back angle: 24 degrees |
| Lift capacity at 19.7 inches ahead of bucket pivot pins: 700 lbs. | Reach: 24 inches |
| Breakout at bucket pins: 1700 lbs. | Pivot pins diameter: 0.75 and 1.00 inches |

To Order a Complete Loader by Ordering Individual Components

- Find the tractor brand and model you are attempting to fit in the **Tractor/Loader Adaptability Chart**.
- Select the loader model you wish to price (each model belongs to a Loader Series, i.e., Compact Series).
- Go to the appropriate Loader Model **Component Order** tab.
- Find the tractor brand / model you are fitting in the **Tractor Reference** section – part numbers needed to configure a loader are listed (except loader frame and bucket).
- Order loader frame.
- Order front-end attachment(s).
- Order mounting kit.
- Order valve kit.
- Order hose kit OR 4-hose kit to connect to OEM remote valve.
- Order grill guard.

Be sure to refer to the “Notes” column; Tractor Notes are found at the end of each tabbed section in the Loader price pages.

Prices for each component are listed in the appropriate component section.

If you have any questions, please contact Woods® Dealer Services.

EXAMPLE:

When ordering a loader to fit a Kubota® tractor, model B7510 ROPS, do the following:

- The Kubota B7510 ROPS tractor is fit by two Woods loader models: LS72 and LS84. (Reference Tractor/Loader Adaptability Chart.) We are selecting the LS84 model.
- Flip to the LS84 **Components** tab and go to the Tractor Reference Chart for components to order to complete the LS84 Loader.
 - Section 1** – Order the loader frame #2108424 (Orange to match Kubota).
 - Section 2** – Order the bucket #2160054 (54” pin-on attachment bucket).
 - Section 3** – Order the mounting kit #2104002.
 - Section 4** – Order the valve kit #1023512.
 - Section 5** – Order the hose kit #1024370 OR the 4-hose kit # (N/A).
 - Section 6** – Order grill guard #1014886.

Prices and specifications subject to change without notice.
Prices effective January 1, 2021. Supersedes all previous pricing.
Woods reserves the right to limit quantities and apply surcharges at any time.

SUB-COMPACT SERIES LOADERS – MODEL LS84 TRACTOR REFERENCE CHART

Tractor Brand / Model	Fits Tractor Type				Mount Kit	Hydraulic Package			4-Hose Kit Connects to OEM Valve	Grill Guard	OEM Mid-Mower Compatible	Tractor Notes
	2WD	4WD	ROPS	CAB		2-Spool Valve Kit	Hoses for Loader Valve	OR				
CASE IH®												
DX21/DX23/DX24/DX26	X	X	X		2100001	1023512	1024383		N/A	1025976		6
DX29/DX31/DX33/DX34	X	X	X		2100010	1023512	1023531		1005689	1025161	MWX72S	8, 9
FORD® & NEW HOLLAND®												
1110/1210	X	X	X		2100024	1023512	1025963		N/A	N/A	Ford 916, 916A / Woods 348 F12	
1120/1215/1220	X	X	X		2100020	1023512	1024383		N/A	1025976	914	6
T1510		X	X		2100010	1023512	1023531		N/A	1026864	914A	9
TC18/TC21 (Prior to SN UF33357)	X	X	X		2100020	1023512	1024383		N/A	1025976	914A	6, 12
TC21 (SN UF33357 & Later) / TC21DA/TC23DA/TC24/TC24DA/TC26DA		X	X		2100001	1023512	1024383		N/A	1025976	914A	6, 10
TC29DA/TC31DA/TC33DA/TC34DA without Super Steer	X	X	X		2100010	1023512	1023531		1005689	1025161	914A	8, 9
TC30	X	X	X		2100010	1023512	1023531		N/A	1026864	914A	9
JOHN DEERE®												
770/790	X	X	X		2100032	N/A	N/A		1025966	1026368		4
3005	X	X	X		2100032	N/A	N/A		1025966	1026368		4
4010		X	X		2100022	N/A	N/A		1012893	1025980	54" & 60"	4
KIOTI®												
CK20/CK20 HST		X	X		2100005	N/A	N/A		1009587	1025982	KMR03-60SD	7
KUBOTA®												
B1700/B2100/B2400 with or without Bi-Speed Turn	X	X	X		2104002	1023512	1024370		N/A	1014886	RC54860-24B	
B2150 HST (All variations except Bi-Speed Turn)	X	X	X		2104015	1023512	1025955		N/A	N/A	RC72-B	3, 13
B2410	X	X	X		2104002	1023512	1024370		N/A	1014886	RCK54-24B, RCK60-24B	
B2710/B2910	X	X	X		2104012	1023512	1025951		N/A	1025975	RCK60-27B, RCK72-27B	
B3200	X	X	X		2104045	N/A	N/A		1019695	1031140	RCK60-27BA, RCK72-27BA	11
B3300SU		X	X		2104045	N/A	N/A		1019695	1031140		11
B7300	X	X	X		2104002	1023512	1024370		N/A	1014886	RCK54-24B, RCK60-24B	2
B7400/B7500	X	X	X		2104002	1023512	1024370		N/A	1014886	RCK54-24B, RCK60-24B	
B7410/B7510/B7610	X	X	X		2104002	1023512	1024370		N/A	1014886	RCK54, RCK60	
B7800HSD	X	X	X		2104012	1023512	1025951		N/A	1025975	RCK60-27B, RCK72-27B	
B8200	X	X	X		2104015	1023512	1025955		N/A	N/A	Woods L59 K82	1, 2
B8200 HST	X	X	X		2104015	1023512	1025955		N/A	N/A	Kubota RC60-82H, Woods L59 K82	2

Note: If listed, 4-hose kit for use with tractor remotes may be ordered instead of Woods® valve and hose kit for loader valve.

N/A = Not Available

Prices and specifications subject to change without notice.
 Prices effective January 1, 2021. Supersedes all previous pricing.
 Woods reserves the right to limit quantities and apply surcharges at any time.

Frames – Loader Model LS84

Part No.	Description	Shipping Wt. (lbs.)	Suggested List Price
2108420	Black (Universal)	333	\$ 2,868.00
2108421	Green to match John Deere®	333	2,868.00
2108422	Red to match Case IH®	333	2,868.00
2108423	Blue to match Ford® & New Holland®	333	2,868.00
2108424	Orange to match Kubota®	333	2,868.00
2108426	Red to match Massey Ferguson®	333	2,868.00
2108427	Vibrant Blue to match New Holland®	333	2,868.00
2108430	Red to match Mahindra®	333	2,868.00
2108431	Red to match McCormick®	TBD	2,868.00

SUB-COMPACT SERIES LOADERS – BUCKETS

SECTION 2

Buckets – Loader Model LS84

STANDARD BUCKETS – PIN-ON ATTACHMENT

Part No.	Width (in.)	Description	Capacity	Shipping Wt. (lbs.)	Suggested List Price
2160054	54	Heavy-Duty Loader Bucket – Pin-on Attach	8.4 cu. ft.	170	\$ 807.00
2160060	60	Heavy-Duty Loader Bucket – Pin-on Attach	9.4 cu. ft.	186	863.00

OPTIONAL WEIGHT BOX FOR THREE-POINT HITCH

1006123	Weight Box for Rear Ballast – Fits Category 1, 3-Point Hitch		3.5 cu. ft.	93	\$ 479.00
---------	--	--	-------------	----	-----------

Prices and specifications subject to change without notice.
 Prices effective January 1, 2021. Supersedes all previous pricing.
 Woods reserves the right to limit quantities and apply surcharges at any time.

Mounting Kits – Loader Model LS84

Mount Kit Part No.	Tractor Brand / Model	Fits Tractor Type				Ship Wt. (lbs.)	Suggested List Price
		2WD	4WD	ROPS	CAB		
CASE IH®							
2100001	DX21/DX23/DX24/DX26	X	X	X		150	\$ 974.00
2100010	DX29/DX31/DX33/DX34	X	X	X		169	1,032.00
FORD® & NEW HOLLAND®							
2100024	1110/1210	X	X	X		159	905.00
2100020	1120/1215/1220	X	X	X		195	989.00
2100010	T1510		X	X		169	1,032.00
2100020	TC18/TC21 (Prior to SN UF33357)	X	X	X		195	989.00
2100001	TC21 (SN UF33357 & Later)/TC21DA/TC23DA/TC24/TC24DA/TC26DA		X	X		150	974.00
2100010	TC29DA/TC31DA/TC33DA/TC34DA without Super Steer	X	X	X		169	1,032.00
2100010	TC30	X	X	X		169	1,032.00
JOHN DEERE®							
2100032	770/790/3005	X	X	X		112	863.00
2100022	4010		X	X		134	863.00
KIOTI®							
2100005	CK20/CK20 HST		X	X		156	863.00

Mount Kit Part No.	Tractor Brand / Model	Fits Tractor Type				Ship Wt. (lbs.)	Suggested List Price
		2WD	4WD	ROPS	CAB		
KUBOTA®							
2104002	B1700/B2100/B2400 with or without Bi-Speed Turn	X	X	X		200	\$ 891.00
2104015	B2150 HST (All variations except Bi-Speed Turn)	X	X	X		209	949.00
2104002	B2410	X	X	X		200	891.00
2104012	B2710/B2910	X	X	X		169	989.00
2104045	B3200	X	X	X		175	870.00
2104045	B3300SU		X	X		175	870.00
2104002	B7300	X	X	X		200	891.00
2104002	B7400/B7500	X	X	X		200	891.00
2104002	B7410/B7510/B7610	X	X	X		200	891.00
2104012	B7800HSD	X	X	X		169	989.00
2104015	B8200	X	X	X		209	949.00
2104015	B8200 HST	X	X	X		209	949.00

SUB-COMPACT SERIES LOADERS – LOADER VALVE KITS

SECTION 4

Valve Kits – Loader Model LS84

Part No.	Description	Shipping Wt. (lbs.)	Suggested List Price
1023512	Joystick Valve Kit – 2500 psi relief – Direct Control, Series Regenerative	37	\$ 1,011.00

Prices and specifications subject to change without notice.
 Prices effective January 1, 2021. Supersedes all previous pricing.
 Woods reserves the right to limit quantities and apply surcharges at any time.

Hose Kits – Loader Model LS84

Part No.	Description	Shipping Wt. (lbs.)	Suggested List Price
1005689	Hose Kit – (4) 50" Hoses with Couplers, Case IH® DX29/DX31/DX33/DX34 and Ford® & New Holland® TC29DA/TC31DA/TC33DA/TC34DA, TC30, reference 2100010 mount kit	8	\$ 257.00
1009587	Hose Kit – (4) 40" Hoses with Couplers, Kioti® CK20/CK20 HST, reference 2100005 mount kit	12	511.00
1012893	Hose Kit – (4) 54" Hoses with Couplers, John Deere® 4010, reference 2100022 mount kit	4	205.00
1019695	Hose Kit – (4) 36" Hoses with Couplers, Kubota® B3200/B3300SU, reference 2104045 mount kit	5	203.00
1023531	Hose Kit – Power Beyond, Case IH and Ford & New Holland, TC30, reference 2100010 mount kit	6	133.00
1024370	Hose Kit – Power Beyond, Kubota B1700/B2100/B2400, B2410, B7300/B7400/B7500, B7410/B7510/B7610	6	145.00
1024383	Hose Kit – Power Beyond, Case IH DX21/DX23/DX24/DX26 and Ford & New Holland 1120/1215/1220, TC18/TC21/TC21DA/TC23DA/TC24/TC24DA/TC26DA	5	453.00
1025951	Hose Kit – Power Beyond, Kubota B2710/B2910, B7800 HSD, reference 2104012 mount kit	6	304.00
1025955	Hose Kit – Power Beyond, Kubota B2150 HST, B8200/B8200 HST	6	153.00
1025963	Hose Kit – Power Beyond, Ford & New Holland 1110/1210, reference 2100024 mount kit	4	153.00
1025966	Hose Kit – (4) 36" Hoses with Couplers, John Deere 770/790/3005	6	380.00

SUB-COMPACT SERIES LOADERS – GRILL GUARDS

SECTION 6

Grill Guards – Loader Model LS84

Part No.	Description	Shipping Wt. (lbs.)	Suggested List Price
1014886	Grill Guard – Kubota B1700/B2100/B2400, B2410, B7300/B7400/B7500, B7410/B7510/B7610, reference 2104002 mount kit	22	\$ 153.00
1025161	Grill Guard – Case IH DX29/DX31/DX33/DX34 and Ford & New Holland TC29DA/TC31DA/TC33DA/TC34DA, reference 2100010 mount kit	13	153.00
1025975	Grill Guard – Kubota B2710/B2910, B7800 HSD, reference 2104012 mount kit	13	153.00
1025976	Grill Guard – Case IH DX21/DX23/DX24/DX26 and Ford & New Holland 1120/1215/1220, TC18/TC21/TC21DA/TC23DA/TC24/TC24DA/TC26DA, reference 2100001/2100020 mount kits	17	184.00
1025980	Grill Guard – John Deere 4010, reference 2100022 mount kit	17	153.00
1025982	Grill Guard – Kioti CK20/CK20 HST, reference 2100005 mount kit	13	153.00
1026368	Grill Guard – John Deere 770/790/3005, reference 2100032 mount kit	15	134.00
1026864	Grill Guard – Ford & New Holland, reference 2100010 mount kit	21	188.00
1031140	Grill Guard – Kubota B3200/B3300SU, reference 2104045 mount kit	19	173.00

Prices and specifications subject to change without notice.
 Prices effective January 1, 2021. Supersedes all previous pricing.
 Woods reserves the right to limit quantities and apply surcharges at any time.

Miscellaneous – Loader Model LS84

Part No.	Description	Shipping Wt. (lbs.)	Suggested List Price
1005093	Paint – Case of 12 Spray Cans – Red to match Case IH®	13	\$ 173.00
1005095	Paint – Case of 12 Spray Cans – Blue to match New Holland® Vibrant Blue	13	173.00
1005096	Paint – Case of 12 Spray Cans – Blue to match New Holland Ford® Blue	13	173.00
1005097	Paint – Case of 12 Spray Cans – Orange to match Kubota®	13	173.00
1005098	Paint – Case of 12 Spray Cans – Red to match Massey Ferguson®	13	173.00

SUB-COMPACT SERIES LOADERS – TRACTOR NOTES

SECTION 8

Tractor Notes – Loader Model LS84

1. Will not fit with Kubota mower.
2. Rear mounting will not fit with power steering.
3. Will not fit tractors with shiftable bi-speed turn.
4. Requires John Deere® Selective Control Valve (SCV). Hose kit fits tractors with right side quick couplers only.
5. Requires Cub Cadet® valve kit 590-620-100.
6. Loader will not fit with Case IH/New Holland factory-installed valve.
7. Requires factory-installed valve on tractor. Hose kit listed connects to tractor valve.
8. Fits with OEM auxiliary valve – use tractor hydraulic hose kit.
9. Requires 1004750 mower reinforcement to fit with OEM mid-mower.
10. OEM 914A mower requires 1024377 mower mounting kit.
11. Requires OEM mid-mount loader valve.
12. OEM 914A mower requires 1024387 mower mounting kit.
13. Will not work with 60" mower.

Prices and specifications subject to change without notice.
 Prices effective January 1, 2021. Supersedes all previous pricing.
 Woods reserves the right to limit quantities and apply surcharges at any time.

LS96R Features and Specifications

FEATURES:

Midmount loader boom attachment
 Ideal for used tractors needing an economy loader
 Quality loader boom and welding for long product life
 Manual tube on the loader boom cross tube
 Optional Skid Steer Quick Attach System
 End-greasable pivot pins
 Twin bucket cylinders for increased performance
 Installs quickly and safely
 2-year warranty



SPECIFICATIONS:

Fits 20 – 30 hp tractors (2WD & FWA)
 Lift height: 96 inches
 Clearance with attachment dumped: 79 inches
 Lift cylinders: 1.77 inches; Bucket cylinders: 1.77 inches
 Lift capacity at bucket pins: 1175 lbs.
 Lift capacity at 19.7 inches ahead of bucket pivot pins: 850 lbs.
 Breakout at bucket pins: 2175 lbs.
 Breakout at 19.7 inches ahead of bucket pivot pins: 1650 lbs.
 System pressure for capacity ratings: 2350 psi

Maximum digging depth: 3.5 inches
 Maximum dump angle: 41 degrees
 Maximum roll back angle: 24 degrees
 Reach at maximum height: 17.3 inches
 Pivot pins diameter: 1.00 inch
 Number of bucket cylinders: 2
 Bucket width: 60"
 Bucket heaped capacity: 8.4 cu. ft.
 Skid Steer Quick Attach: Optional

To Order a Complete Loader Using the Woods® Quick Order System

- Find the tractor brand and model you are attempting to fit in the **Tractor/Loader Adaptability Chart**.
- Select the loader model you wish to price (each model belongs to a Loader Series, i.e., Compact Series).
- Go to the appropriate Loader Model **Quick Order** tab.
- Find the tractor brand / model you are fitting.
- Order loader package.
- Order pin-on bucket or Quick Attachment Carrier System and quick attach bucket.

Be sure to refer to the “Notes” column; Tractor Notes are found at the end of each tabbed section in the Loader price pages. Prices for each component are listed in the appropriate component section. If you have any questions, please contact Woods Dealer Services.

EXAMPLE

When ordering a loader to fit a Kubota® tractor, model L2800 ROPS, do the following:

1. The Kubota L2800 ROPS tractor is fit by Woods loader model: LS96R. (Reference Tractor/Loader Adaptability Chart.)
2. Flip to the LS96R **Quick Order** tab.
3. **Section 1** – Select tractor brand and model that the LS96R loader is to fit: Kubota L2800 ROPS.
 - a. Order the loader package #2196004 (Black).
 - b. Order the bucket #2180060 (60” pin-on attachment bucket).
Note: If selecting a quick change system, order Quick Attach Coupler System and 60” QA bucket.

Unless noted, each "Loader Complete" STANDARD configuration includes loader, bucket, and components (mount, hydraulics and grill guard). Any deviation from standard configuration will require ordering components individually.

Quick Order Section – Loader Model LS96R

Tractor Brand / Model	Loader Pkg. Type	Fits Tractor Type				Loader Package Color	Quick Order Part Numbers					Ship Wt. (lbs.)	Suggested List Price	Tractor Notes
		2WD	4WD	ROPS	CAB		LS96R Loader Package	Bucket Width (in.)	Pin-On Bucket	Quick Attach. Coupler	QA Bucket			
CASE IH®														
D25/DX25/D29/DX29/DX31/D33/DX33/DX34	Pin-on	X	X	X		CIH Red	2196002	60	2180060			663	\$ 5,201	1
D25/DX25/D29/DX29/DX31/D33/DX33/DX34	QA	X	X	X		CIH Red	2196002	60		2170000	2170060	752	5,778	1
Farmall 31/35	Pin-on	X	X	X		CIH Red	2196002	60	2180060			663	5,201	1
Farmall 31/35	QA	X	X	X		CIH Red	2196002	60		2170000	2170060	752	5,778	1
CUB CADET®														
EX2900/EX3200	Pin-on	X	X	X		Black	2196000	60	2180060			611	4,344	3, 4
EX2900/EX3200	QA	X	X	X		Black	2196000	60		2170000	2170060	700	4,921	3, 4
FORD® & NEW HOLLAND®														
Workmaster 35/40	Pin-on		X	X		NH Vibe Blue	2196107	60	2180060			635	5,195	1, 2
Workmaster 35/40	QA		X	X		NH Vibe Blue	2196107	60		2170000	2170060	724	5,772	1, 2
JOHN DEERE®														
3033R/3039R/3046R	Pin-on		X	X		Green	2196001	60	2180060			663	4,469	
3033R/3039R/3046R	QA		X	X		Green	2196001	60		2170000	2170060	752	5,046	
KUBOTA®														
L2501/L2800/L3200/L3301/L3400/L3700SU/L3800/L3901	Pin-on	X	X	X		Orange	2196004	60	2180060			635	4,758	1
L2501/L2800/L3200/L3301/L3400/L3700SU/L3800/L3901	QA	X	X	X		Orange	2196004	60		2170000	2170060	724	5,335	1
YANMAR®														
EX2900/EX3200	Pin-on	X	X	X		Black	2196000	60	2180060			611	4,344	3, 4
EX2900/EX3200	QA	X	X	X		Black	2196000	60		2170000	2170060	700	4,921	3, 4

Prices and specifications subject to change without notice.
 Prices effective January 1, 2021. Supersedes all previous pricing.
 Woods reserves the right to limit quantities and apply surcharges at any time.

Components – Loader Model LS96R

Part No.	Description	Shipping Wt. (lbs.)	Suggested List Price
2196000	LS96R Loader Package – Black to match Cub Cadet® or Yanmar® (EX Series)	444	\$ 3,757.00
2196001	LS96R Loader Package – Green to match John Deere®	496	3,882.00
2196002	LS96R Loader Package – Red to match Case IH® (Class II)	496	4,614.00
2196004	LS96R Loader Package – Orange to match Kubota® (Standard L Series)	468	4,171.00
2196107	LS96R Loader Package – Blue to match New Holland Workmaster	468	4,608.00

Part No.	Description	Width (in.)	Capacity	Shipping Wt. (lbs.)	Suggested List Price
2180060	Standard-Duty Loader Bucket – Pin-on Attach	60	8.3 cu. ft.	167	\$ 587.00
2170060	Standard-Duty Loader Bucket – Skid Steer Quick Attach	60	8.4 cu. ft.	178	587.00
2170000	Skid Steer (ISO 24410) Quick Attach Coupler System			78	577.00

Miscellaneous – Loader Model LS96R

Part No.	Description	Shipping Wt. (lbs.)	Suggested List Price
1005093	Paint – Case of 12 Spray Cans – Red to match Case IH	13	\$ 173.00
1005095	Paint – Case of 12 Spray Cans – Blue to match New Holland Vibrant Blue	13	173.00
1005096	Paint – Case of 12 Spray Cans – Blue to match New Holland Ford® Blue	13	173.00
1005097	Paint – Case of 12 Spray Cans – Orange to match Kubota	13	173.00
1005098	Paint – Case of 12 Spray Cans – Red to match Massey Ferguson®	13	173.00

Tractor Notes – Loader Model LS96R

1. Loader package includes necessary control valve and hoses to connect to tractor.
2. Not compatible with Super Steer® front axle.
3. Tractor must be equipped with OEM control valve for loader.
4. Tractor must have standard front weight bracket installed.
5. If tractor is equipped with R4 tires, order 66" bucket #2240066 to cover rear tire tracks.

Prices and specifications subject to change without notice.
 Prices effective January 1, 2021. Supersedes all previous pricing.
 Woods reserves the right to limit quantities and apply surcharges at any time.

**PRICING DOES NOT INCLUDE
CURRENT SURCHARGE AMOUNT**

LC96 Features and Specifications

FEATURES:

- Curved loader boom
- Midmount loader boom attachment
- Fast D-Tach loader
- Parking stands – stored in loader boom cross tube
- Bucket rod level indicator
- Manual tube on the loader boom cross tube
- Optional Quick Attach Coupler System
- Construction grade, heavy-duty, round back bucket
- 2-year warranty

SPECIFICATIONS:

- Fits 20 – 35 hp tractors (2WD & FWA)
- Lift height: 96 inches
- Lift cylinders: 1.77 inches; Single bucket cylinder: 2.76 inches
- Lift capacity at bucket pins: 1200 lbs.
- Lift capacity at 19.7 inches ahead of bucket pivot pins: 900 lbs.
- Breakout at bucket pins: 2150 lbs.



- Breakout at 19.7 inches ahead of bucket pivot pins: 1650 lbs.
- Maximum digging depth: 4 inches
- Dump angle: 45 degrees
- Roll back angle: 24 degrees
- Reach: 30 inches
- Pivot pins diameter: 1.00 and 1.25 inches

To Order a Complete Loader Using the Woods® Quick Order System

- Find the tractor brand and model you are attempting to fit in the **Tractor/Loader Adaptability Chart**.
- Select the loader model you wish to price (each model belongs to a Loader Series, i.e., Compact Series).
- Go to the appropriate Loader Model **Quick Order** tab.
- Find the tractor brand / model you are fitting.
- Order loader frame.
- Order pin-on bucket or Quick Attachment Carrier System and quick attach bucket.
- Order completing kit.

Be sure to refer to the “Notes” column; Tractor Notes are found at the end of each tabbed section in the Loader price pages. Prices for each component are listed in the appropriate component section. If you have any questions, please contact Woods Dealer Services.

EXAMPLE

When ordering a loader to fit a Kubota® tractor, model L3540 ROPS, do the following:

1. The Kubota L3540 ROPS tractor is fit by two Woods loader models: LC96 and LC102. (Reference the Tractor/Loader Adaptability Chart.) We are selecting the LC96 model.
2. Flip to the LC96 **Quick Order** tab.
3. **Section 1** – Select tractor brand and model that the LC96 loader is to fit: Kubota L3540 ROPS.
 - a. Order the loader frame #2209624 (Orange to match Kubota).
 - b. Order the bucket #2230066 (66” pin-on attachment bucket).
Note: If selecting a quick change system, order Quick Attach Coupler System and 66” QA bucket.
 - c. Order the completing kit #2200004H. Completing kit includes loader mount, hose kit (that will connect to tractor valve) and grill guard (if available). List price of complete loader is \$5,915; total weight is 966 lbs.

Prices and specifications subject to change without notice.
Prices effective January 1, 2021. Supersedes all previous pricing.
Woods reserves the right to limit quantities and apply surcharges at any time.

Unless noted, each "Loader Complete" STANDARD configuration includes loader, bucket, and completing kit (mount, hydraulics and grill guard, if grill guard is available). Any deviation from standard configuration will require ordering components individually.

Quick Order Section – Loader Model LC96

Tractor Brand / Model	Loader Pkg. Type	Fits Tractor Type				Loader Frame Color	Quick Order Part Numbers					Ship Wt. (lbs.)	Suggested List Price	Tractor Notes	
		2WD	4WD	ROPS	CAB		LC96 Loader Frame	Bucket Width (in.)	Pin-On Bucket	Quick Attach. Coupler	QA Bucket				Completing Kit *
AGCO®															
ST34A/ST41A	Pin-on		X	X		Black	2209620	66	2230066			111787D	657	\$ 7,567	
ST34A/ST41A	QA		X	X		Black	2209620	66		2200000	2240066	111787D	747	8,197	
ST35/ST35X/ ST40/ST40X (All Non-Hydro Models)	Pin-on	X	X	X		Black	2209620	66	2230066			111770D	1082	7,579	
ST35/ST35X/ ST40/ST40X (All Non-Hydro Models)	QA	X	X	X		Black	2209620	66		2200000	2240066	111770D	1172	8,209	
BRANSON®															
2910/3510/3820/ 4220/4720	Pin-on		X	X		Black	2209620	66	2230066			111789D1	657	6,980	
2910/3510/3820/ 4220/4720	QA		X	X		Black	2209620	66		2200000	2240066	111789D1	747	7,610	
CASE IH®															
D25/DX25/D29/DX29/ DX31/D33/DX33/DX34	Pin-on	X	X	X		Red	2209622	66	2230066			2200014D	1063	7,531	11
D25/DX25/D29/DX29/ DX31/D33/DX33/DX34	QA	X	X	X		Red	2209622	66		2200000	2240066	2200014D	1153	8,161	11
D25/DX25/D29/DX29/ DX31/D33/DX33/DX34	Pin-on	X	X	X		Red	2209622	66	2230066			2200014H	657	6,484	1, 11
D25/DX25/D29/DX29/ DX31/D33/DX33/DX34	QA	X	X	X		Red	2209622	66		2200000	2240066	2200014H	747	7,114	1, 11
D35/DX35/D40/DX40/ D45/DX45	Pin-on	X	X	X		Red	2209622	66	2230066			2200015D	1083	7,551	
D35/DX35/D40/DX40/ D45/DX45	QA	X	X	X		Red	2209622	66		2200000	2240066	2200015D	1173	8,181	
D35/DX35/D40/DX40/ D45/DX45	Pin-on	X	X	X	X	Red	2209622	66	2230066			2200015H	657	6,414	12
D35/DX35/D40/DX40/ D45/DX45	QA	X	X	X	X	Red	2209622	66		2200000	2240066	2200015H	747	7,044	12
Farmall 30B/35B	Pin-on	X	X	X		Red	2209622	66	2230066			2200033H	657	6,252	16
Farmall 30B/35B	QA	X	X	X		Red	2209622	66		2200000	2240066	2200033H	747	6,882	16
Farmall 31/35	Pin-on	X	X	X		Red	2209622	66	2230066			2200014D	1063	7,531	11
Farmall 31/35	QA	X	X	X		Red	2209622	66		2200000	2240066	2200014D	1153	8,161	11
Farmall 31/35	Pin-on	X	X	X		Red	2209622	66	2230066			2200014H	657	6,484	1, 11
Farmall 31/35	QA	X	X	X		Red	2209622	66		2200000	2240066	2200014H	747	7,114	1, 11
Farmall 40/45/50	Pin-on	X	X	X		Red	2209622	66	2230066			2200015D	1083	7,551	
Farmall 40/45/50	QA	X	X	X		Red	2209622	66		2200000	2240066	2200015D	1173	8,181	
Farmall 40/45/50	Pin-on	X	X	X	X	Red	2209622	66	2230066			2200015H	657	6,414	12
Farmall 40/45/50	QA	X	X	X	X	Red	2209622	66		2200000	2240066	2200015H	747	7,044	12

* Completing Kits that end in D or D* contain mounting kit, Woods Hydraulic Package (2-spool direct control valve and hose kit) and grill guard, if available.
 Completing Kits that end in C1 contain mounting kit, Woods Hydraulic Package (2-spool cable control valve and hose kit) and grill guard, if available.
 Completing Kits that end in H or H* contain mounting kit, 4-hose kit (to connect loader to OEM remote valve) and grill guard, if available.

Prices and specifications subject to change without notice.
 Prices effective January 1, 2021. Supersedes all previous pricing.
 Woods reserves the right to limit quantities and apply surcharges at any time.

Unless noted, each "Loader Complete" STANDARD configuration includes loader, bucket, and completing kit (mount, hydraulics and grill guard, if grill guard is available). Any deviation from standard configuration will require ordering components individually.

Quick Order Section – Loader Model LC96 (Continued)

Tractor Brand / Model	Loader Pkg. Type	Fits Tractor Type				Loader Frame Color	Quick Order Part Numbers					Ship Wt. (lbs.)	Suggested List Price	Tractor Notes	
		2WD	4WD	ROPS	CAB		LC96 Loader Frame	Bucket Width (in.)	Pin-On Bucket	Quick Attach. Coupler	QA Bucket				Completing Kit *
CASE IH® (Continued)															
Farmall 40B/50B	Pin-on	X	X	X		Red	2209622	66	2230066			2200034H	657	\$ 6,252	16
Farmall 40B/50B	QA	X	X	X		Red	2209622	66		2200000	2240066	2200034H	747	6,882	16
Farmall 40C/50C	Pin-on		X	X		Red	2209622	66	2230066			2200043H	657	6,929	15
Farmall 40C/50C	QA		X	X		Red	2209622	66		2200000	2240066	2200043H	747	7,559	15
CHALLENGER®															
MT265B/MT275B	Pin-on		X	X		Black	2209620	66	2230066			111787D	657	7,567	
MT265B/MT275B	QA		X	X		Black	2209620	66		2200000	2240066	111787D	747	8,197	
CUB CADET®															
7260/7265/7300/7305	Pin-on	X	X	X		Black	2209620	66	2230066			111730D	1105	7,264	6, 8
7260/7265/7300/7305	QA	X	X	X		Black	2209620	66		2200000	2240066	111730D	1195	7,894	6, 8
FORD® & NEW HOLLAND®															
1320/1520/1620/1715	Pin-on	X	X	X		Fd-NH Blue	2209623	66	2230066			111755D1	1060	7,434	11
1320/1520/1620/1715	QA	X	X	X		Fd-NH Blue	2209623	66		2200000	2240066	111755D1	1150	8,064	11
1530/1630	Pin-on	X	X	X		Fd-NH Blue	2209623	66	2230066			111755D1	1060	7,434	1, 2, 11
1530/1630	QA	X	X	X		Fd-NH Blue	2209623	66		2200000	2240066	111755D1	1150	8,064	1, 2, 11
1530/1630	Pin-on	X	X	X		Fd-NH Blue	2209623	66	2230066			111755H	TBD	6,227	1, 2, 11
1530/1630	QA	X	X	X		Fd-NH Blue	2209623	66		2200000	2240066	111755H	TBD	6,857	1, 2, 11
1720	Pin-on	X	X	X		Fd-NH Blue	2209623	66	2230066			111755D1	1060	7,434	
1720	QA	X	X	X		Fd-NH Blue	2209623	66		2200000	2240066	111755D1	1150	8,064	
1725/1925	Pin-on	X	X	X		NH Vib Blue	2209627	66	2230066			111755D1	1060	7,434	1, 11
1725/1925	QA	X	X	X		NH Vib Blue	2209627	66		2200000	2240066	111755D1	1150	8,064	1, 11
1725/1925	Pin-on	X	X	X		NH Vib Blue	2209627	66	2230066			111755H	TBD	6,227	1, 11
1725/1925	QA	X	X	X		NH Vib Blue	2209627	66		2200000	2240066	111755H	TBD	6,857	1, 11
1920	Pin-on	X	X	X		Fd-NH Blue	2209623	66	2230066			111758D1	657	7,437	
1920	QA	X	X	X		Fd-NH Blue	2209623	66		2200000	2240066	111758D1	747	8,067	
Boomer 30/35	Pin-on	X	X	X		NH Vib Blue	2209627	66	2230066			2200033H	657	6,252	16
Boomer 30/35	QA	X	X	X		NH Vib Blue	2209627	66		2200000	2240066	2200033H	747	6,882	16
Boomer 40/50	Pin-on	X	X	X		NH Vib Blue	2209627	66	2230066			2200034H	657	6,252	16, 17
Boomer 40/50	QA	X	X	X		NH Vib Blue	2209627	66		2200000	2240066	2200034H	747	6,882	16, 17
Boomer 41/47	Pin-on		X	X		NH Vib Blue	2209627	66	2230066			2200043H	657	6,929	15
Boomer 41/47	QA		X	X		NH Vib Blue	2209627	66		2200000	2240066	2200043H	747	7,559	15
Boomer 3040/3045/3050, 8N	Pin-on	X	X	X	X	NH Vib Blue	2209627	66	2230066			2200015D	1083	7,551	12
Boomer 3040/3045/3050, 8N	QA	X	X	X	X	NH Vib Blue	2209627	66		2200000	2240066	2200015D	1173	8,181	12
T1530	Pin-on	X	X	X		NH Vib Blue	2209627	66	2230066			2200015D	1083	7,551	
T1530	QA	X	X	X		NH Vib Blue	2209627	66		2200000	2240066	2200015D	1173	8,181	

* Completing Kits that end in D or D* contain mounting kit, Woods Hydraulic Package (2-spool direct control valve and hose kit) and grill guard, if available.
 Completing Kits that end in C1 contain mounting kit, Woods Hydraulic Package (2-spool cable control valve and hose kit) and grill guard, if available.
 Completing Kits that end in H or H* contain mounting kit, 4-hose kit (to connect loader to OEM remote valve) and grill guard, if available.

Prices and specifications subject to change without notice.
 Prices effective January 1, 2021. Supersedes all previous pricing.
 Woods reserves the right to limit quantities and apply surcharges at any time.

COMPACT SERIES LOADERS – QUICK ORDER SECTION (Continued) SECTION 1

Unless noted, each "Loader Complete" STANDARD configuration includes loader, bucket, and completing kit (mount, hydraulics and grill guard, if grill guard is available). Any deviation from standard configuration will require ordering components individually.

Quick Order Section – Loader Model LC96 (Continued)

Tractor Brand / Model	Loader Pkg. Type	Fits Tractor Type				Loader Frame Color	Quick Order Part Numbers					Ship Wt. (lbs.)	Suggested List Price	Tractor Notes	
		2WD	4WD	ROPS	CAB		LC96 Loader Frame	Bucket Width (in.)	Pin-On Bucket	Quick Attach. Coupler	QA Bucket				Completing Kit *
FORD® & NEW HOLLAND® (Continued)															
T2210/T2220 with or without Super Steer	Pin-on	X	X	X		NH Vib Blue	2209627	66	2230066			2200014D	1063	\$ 7,531	11
T2210/T2220 with or without Super Steer	QA	X	X	X		NH Vib Blue	2209627	66		2200000	2240066	2200014D	1153	8,161	11
T2210/T2220 with or without Super Steer	Pin-on	X	X	X		NH Vib Blue	2209627	66	2230066			2200014H	657	6,484	1, 11
T2210/T2220 with or without Super Steer	QA	X	X	X		NH Vib Blue	2209627	66		2200000	2240066	2200014H	747	7,114	1, 11
T2310/T2320/T2330 w/ or w/out Super Steer	Pin-on	X	X	X		NH Vib Blue	2209627	66	2230066			2200015D	1083	7,551	
T2310/T2320/T2330 w/ or w/out Super Steer	QA	X	X	X		NH Vib Blue	2209627	66		2200000	2240066	2200015D	1173	8,181	
T2310/T2320/T2330 w/ or w/out Super Steer	Pin-on	X	X	X	X	NH Vib Blue	2209627	66	2230066			2200015H	657	6,414	12
T2310/T2320/T2330 w/ or w/out Super Steer	QA	X	X	X	X	NH Vib Blue	2209627	66		2200000	2240066	2200015H	747	7,044	12
TC25/TC25D/TC29/TC29D/TC29DA/TC31DA/TC33/TC33D/TC33DA/TC34DA with or without Super Steer	Pin-on	X	X	X		NH Vib Blue	2209627	66	2230066			2200014D	1063	7,531	11
TC25/TC25D/TC29/TC29D/TC29DA/TC31DA/TC33/TC33D/TC33DA/TC34DA with or without Super Steer	QA	X	X	X		NH Vib Blue	2209627	66		2200000	2240066	2200014D	1153	8,161	11
TC25/TC25D/TC29/TC29D/TC29DA/TC31DA/TC33/TC33D/TC33DA/TC34DA with or without Super Steer	Pin-on	X	X	X		NH Vib Blue	2209627	66	2230066			2200014H	657	6,484	1, 11
TC25/TC25D/TC29/TC29D/TC29DA/TC31DA/TC33/TC33D/TC33DA/TC34DA with or without Super Steer	QA	X	X	X		NH Vib Blue	2209627	66		2200000	2240066	2200014H	747	7,114	1, 11
TC30/T1510/T1520	Pin-on	X	X	X		NH Vib Blue	2209627	66	2230066			2200013D	1050	7,393	14
TC30/T1510/T1520	QA	X	X	X		NH Vib Blue	2209627	66		2200000	2240066	2200013D	1140	8,023	14
TC35/TC35A/TC35D/TC40/TC40A/TC40D/TC40DA/TC45/TC45A/TC45D/TC45DA with or without Super Steer	Pin-on	X	X	X		NH Vib Blue	2209627	66	2230066			2200015D	1083	7,551	
TC35/TC35A/TC35D/TC40/TC40A/TC40D/TC40DA/TC45/TC45A/TC45D/TC45DA with or without Super Steer	QA	X	X	X		NH Vib Blue	2209627	66		2200000	2240066	2200015D	1173	8,181	

* Completing Kits that end in D or D* contain mounting kit, Woods Hydraulic Package (2-spool direct control valve and hose kit) and grill guard, if available. Completing Kits that end in C1 contain mounting kit, Woods Hydraulic Package (2-spool cable control valve and hose kit) and grill guard, if available. Completing Kits that end in H or H* contain mounting kit, 4-hose kit (to connect loader to OEM remote valve) and grill guard, if available.

Prices and specifications subject to change without notice.
 Prices effective January 1, 2021. Supersedes all previous pricing.
 Woods reserves the right to limit quantities and apply surcharges at any time.

Unless noted, each "Loader Complete" STANDARD configuration includes loader, bucket, and completing kit (mount, hydraulics and grill guard, if grill guard is available). Any deviation from standard configuration will require ordering components individually.

Quick Order Section – Loader Model LC96 (Continued)

Tractor Brand / Model	Loader Pkg. Type	Fits Tractor Type				Loader Frame Color	Quick Order Part Numbers					Ship Wt. (lbs.)	Suggested List Price	Tractor Notes	
		2WD	4WD	ROPS	CAB		LC96 Loader Frame	Bucket Width (in.)	Pin-On Bucket	Quick Attach. Coupler	QA Bucket				Completing Kit *
FORD® & NEW HOLLAND® (Continued)															
TC35/TC35A/TC35D/TC40/TC40A/TC40D/TC40DA/TC45/TC45A/TC45D/TC45DA with or without Super Steer	Pin-on	X	X	X	X	NH Vib Blue	2209627	66	2230066			2200015H	657	\$ 6,414	12
TC35/TC35A/TC35D/TC40/TC40A/TC40D/TC40DA/TC45/TC45A/TC45D/TC45DA with or without Super Steer	QA	X	X	X	X	NH Vib Blue	2209627	66		2200000	2240066	2200015H	747	7,044	12
JOHN DEERE®															
870/970/1070 (Power Steering only)	Pin-on	X	X	X		Green	2209621	66	2230066			111742D1	657	7,363	3
870/970/1070 (Power Steering only)	QA	X	X	X		Green	2209621	66		2200000	2240066	111742D1	747	7,993	3
870/970/1070 (Power Steering only)	Pin-on	X	X	X		Green	2209621	66	2230066			111742H1	985	6,226	3
870/970/1070 (Power Steering only)	QA	X	X	X		Green	2209621	66		2200000	2240066	111742H1	1075	6,856	3
990	Pin-on	X	X	X		Green	2209621	66	2230066			111742D1	657	7,363	3
990	QA	X	X	X		Green	2209621	66		2200000	2240066	111742D1	747	7,993	3
990	Pin-on	X	X	X		Green	2209621	66	2230066			111742H1	985	6,226	3
990	QA	X	X	X		Green	2209621	66		2200000	2240066	111742H1	1075	6,856	3
3120/3320/3520/3720	Pin-on		X	X		Green	2209621	66	2230066			211716H	657	6,409	5
3120/3320/3520/3720	QA		X	X		Green	2209621	66		2200000	2240066	211716H	747	7,039	5
3203	Pin-on		X	X		Green	2209621	66	2230066			211716H	657	6,409	5
3203	QA		X	X		Green	2209621	66		2200000	2240066	211716H	747	7,039	5
4120/4320/4520/4720	Pin-on	X	X	X		Green	2209621	66	2230066			211713H1	657	5,970	5
4120/4320/4520/4720	QA	X	X	X		Green	2209621	66		2200000	2240066	211713H1	747	6,600	5
4200/4300/4400	Pin-on	X	X	X		Green	2209621	66	2230066			111754H	657	6,336	5
4200/4300/4400	QA	X	X	X		Green	2209621	66		2200000	2240066	111754H	747	6,966	5
4210/4310/4410	Pin-on	X	X	X		Green	2209621	66	2230066			111776H	968	6,189	5
4210/4310/4410	QA	X	X	X		Green	2209621	66		2200000	2240066	111776H	1058	6,819	5
4500/4510/4600/4610/4700/4710	Pin-on	X	X	X		Green	2209621	66	2230066			111753H1	657	6,409	5
4500/4510/4600/4610/4700/4710	QA	X	X	X		Green	2209621	66		2200000	2240066	111753H1	747	7,039	5
KIOTI®															
DK35SE	Pin-on		X	X		Orange	2209624	66	2230066			2200009H	657	7,238	13
DK35SE	QA		X	X		Orange	2209624	66		2200000	2240066	2200009H	747	7,868	13

* Completing Kits that end in D or D* contain mounting kit, Woods Hydraulic Package (2-spool direct control valve and hose kit) and grill guard, if available.
 Completing Kits that end in C1 contain mounting kit, Woods Hydraulic Package (2-spool cable control valve and hose kit) and grill guard, if available.
 Completing Kits that end in H or H* contain mounting kit, 4-hose kit (to connect loader to OEM remote valve) and grill guard, if available.

Prices and specifications subject to change without notice.
 Prices effective January 1, 2021. Supersedes all previous pricing.
 Woods reserves the right to limit quantities and apply surcharges at any time.

Unless noted, each "Loader Complete" STANDARD configuration includes loader, bucket, and completing kit (mount, hydraulics and grill guard, if grill guard is available). Any deviation from standard configuration will require ordering components individually.

Quick Order Section – Loader Model LC96 (Continued)

Tractor Brand / Model	Loader Pkg. Type	Fits Tractor Type				Loader Frame Color	Quick Order Part Numbers						Ship Wt. (lbs.)	Suggested List Price	Tractor Notes	
		2WD	4WD	ROPS	CAB		LC96 Loader Frame	Bucket Width (in.)	Pin-On Bucket	Quick Attach. Coupler	QA Bucket	Completing Kit *				
KUBOTA®																
L2050/L2350	Pin-on	X	X	X		Orange	2209624	66	2230066			111762D	657	\$ 7,656	4	
L2050/L2350	QA	X	X	X		Orange	2209624	66		2200000	2240066	111762D	747	8,286	4	
L2250/L2550/L2850/L3250	Pin-on	X	X	X		Orange	2209624	66	2230066			111739D1	1113	7,545		
L2250/L2550/L2850/L3250	QA	X	X	X		Orange	2209624	66		2200000	2240066	111739D1	1203	8,175		
L2500/L2600	Pin-on	X	X	X		Orange	2209624	66	2230066			111762D	657	7,656		
L2500/L2600	QA	X	X	X		Orange	2209624	66		2200000	2240066	111762D	747	8,286		
L2650/L2950/L3450/L3650	Pin-on	X	X	X		Orange	2209624	66	2230066			111739D1	1113	7,545		
L2650/L2950/L3450/L3650	QA	X	X	X		Orange	2209624	66		2200000	2240066	111739D1	1203	8,175		
L2800/L3400/L2800 HST/L3400 HST	Pin-on	X	X	X		Orange	2209624	66	2230066			111780D	657	6,873	10	
L2800/L3400/L2800 HST/L3400 HST	QA	X	X	X		Orange	2209624	66		2200000	2240066	111780D	747	7,503	10	
L2900/L3300/L3600/L4200	Pin-on	X	X	X		Orange	2209624	66	2230066			111761D1	1134	7,910	7	
L2900/L3300/L3600/L4200	QA	X	X	X		Orange	2209624	66		2200000	2240066	111761D1	1224	8,540	7	
L2900/L3300/L3600/L4200	Pin-on	X	X		X	Orange	2209624	66	2230066			111761C1	657	8,205	7	
L2900/L3300/L3600/L4200	QA	X	X		X	Orange	2209624	66		2200000	2240066	111761C1	747	8,835	7	
L3010/L3410/L3710/L4310	Pin-on	X	X	X		Orange	2209624	66	2230066			111761D1	1134	7,910	7, 9	
L3010/L3410/L3710/L4310	QA	X	X	X		Orange	2209624	66		2200000	2240066	111761D1	1224	8,540	7, 9	
L3010/L3410/L3710/L4310	Pin-on	X	X		X	Orange	2209624	66	2230066			111761C1	657	8,205	7, 9	
L3010/L3410/L3710/L4310	QA	X	X		X	Orange	2209624	66		2200000	2240066	111761C1	747	8,835	7, 9	
L3130/L3430/L3830	Pin-on	X	X	X		Orange	2209624	66	2230066			111771D1	657	7,063	10	
L3130/L3430/L3830	QA	X	X	X		Orange	2209624	66		2200000	2240066	111771D1	747	7,693	10	
L3200/L3800	Pin-on	X	X	X		Orange	2209624	66	2230066			111780D1	657	6,891		
L3200/L3800	QA	X	X	X		Orange	2209624	66		2200000	2240066	111780D1	747	7,521		
L3240/L3540	Pin-on	X	X	X	X	Orange	2209624	66	2230066			2200004H	966	5,915		
L3240/L3540	QA	X	X	X	X	Orange	2209624	66		2200000	2240066	2200004H	1056	6,545		
L3430	Pin-on	X	X		X	Orange	2209624	66	2230066			111771C1	TBD	7,724		
L3430	QA	X	X		X	Orange	2209624	66		2200000	2240066	111771C1	TBD	8,354		

* Completing Kits that end in D or D* contain mounting kit, Woods Hydraulic Package (2-spool direct control valve and hose kit) and grill guard, if available.
 Completing Kits that end in C1 contain mounting kit, Woods Hydraulic Package (2-spool cable control valve and hose kit) and grill guard, if available.
 Completing Kits that end in H or H* contain mounting kit, 4-hose kit (to connect loader to OEM remote valve) and grill guard, if available.

Prices and specifications subject to change without notice.
 Prices effective January 1, 2021. Supersedes all previous pricing.
 Woods reserves the right to limit quantities and apply surcharges at any time.

Unless noted, each "Loader Complete" STANDARD configuration includes loader, bucket, and completing kit (mount, hydraulics and grill guard, if grill guard is available). Any deviation from standard configuration will require ordering components individually.

Quick Order Section – Loader Model LC96 (Continued)

Tractor Brand / Model	Loader Pkg. Type	Fits Tractor Type				Loader Frame Color	Quick Order Part Numbers					Ship Wt. (lbs.)	Suggested List Price	Tractor Notes	
		2WD	4WD	ROPS	CAB		LC96 Loader Frame	Bucket Width (in.)	Pin-On Bucket	Quick Attach. Coupler	QA Bucket				Completing Kit *
KUBOTA® (Continued)															
L3700SU	Pin-on	X	X	X		Orange	2209624	66	2230066			111780D1	657	\$ 6,891	
L3700SU	QA	X	X	X		Orange	2209624	66		2200000	2240066	111780D1	747	7,521	
L3940	Pin-on	X	X	X	X	Orange	2209624	66	2230066			2200004H2	966	TBD	
L3940	QA	X	X	X	X	Orange	2209624	66		2200000	2240066	2200004H2	1056	TBD	
L4240/L4740	Pin-on		X	X	X	Orange	2209624	66	2230066			2200003H2	1090	6,334	
L4240/L4740	QA		X	X	X	Orange	2209624	66		2200000	2240066	2200003H2	1180	6,964	
L4330/L4630/L5030	Pin-on	X	X	X		Orange	2209624	66	2230066			111772D1	657	7,063	10
L4330/L4630/L5030	QA	X	X	X		Orange	2209624	66		2200000	2240066	111772D1	747	7,693	10
L4330/L4630/L5030	Pin-on	X	X		X	Orange	2209624	66	2230066			111772C1	657	7,724	
L4330/L4630/L5030	QA	X	X		X	Orange	2209624	66		2200000	2240066	111772C1	747	8,354	
L4400	Pin-on	X	X	X		Orange	2209624	66	2230066			211711D1	1036	7,063	10
L4400	QA	X	X	X		Orange	2209624	66		2200000	2240066	211711D1	1126	7,693	10
L4600	Pin-on	X	X	X		Orange	2209624	66	2230066			211711D2	TBD	7,079	10
L4600	QA	X	X	X		Orange	2209624	66		2200000	2240066	211711D2	TBD	7,709	10
L4610	Pin-on	X	X	X		Orange	2209624	66	2230066			111769D1	1114	7,545	
L4610	QA	X	X	X		Orange	2209624	66		2200000	2240066	111769D1	1204	8,175	
L4610	Pin-on	X	X		X	Orange	2209624	66	2230066			111769C1	657	7,834	
L4610	QA	X	X		X	Orange	2209624	66		2200000	2240066	111769C1	747	8,464	
MX5000	Pin-on	X	X	X		Orange	2209624	66	2230066			111769D1	1114	7,545	
MX5000	QA	X	X	X		Orange	2209624	66		2200000	2240066	111769D1	1204	8,175	
MAHINDRA®															
2615/3015	Pin-on	X	X	X		Red	2209630	66	2230066			111730D	1105	7,264	
2615/3015	QA	X	X	X		Red	2209630	66		2200000	2240066	111730D	1195	7,894	
MASSEY FERGUSON®															
1125/1140/1145	Pin-on	X	X	X		Red	2209626	66	2230066			111741D	657	7,548	
1125/1140/1145	QA	X	X	X		Red	2209626	66		2200000	2240066	111741D	747	8,178	
1240	Pin-on	X	X	X		Red	2209626	66	2230066			111741D	657	7,548	
1240	QA	X	X	X		Red	2209626	66		2200000	2240066	111741D	747	8,178	
1250/1260 (Prior To SN "G")	Pin-on	X	X	X		Red	2209626	66	2230066			111741D	657	7,548	
1250/1260 (Prior To SN "G")	QA	X	X	X		Red	2209626	66		2200000	2240066	111741D	747	8,178	
1250/1260 (SN "G" & Later)	Pin-on	X	X	X		Red	2209626	66	2230066			111741D1	TBD	7,421	
1250/1260 (SN "G" & Later)	QA	X	X	X		Red	2209626	66		2200000	2240066	111741D1	TBD	8,051	

* Completing Kits that end in D or D* contain mounting kit, Woods Hydraulic Package (2-spool direct control valve and hose kit) and grill guard, if available.
 Completing Kits that end in C1 contain mounting kit, Woods Hydraulic Package (2-spool cable control valve and hose kit) and grill guard, if available.
 Completing Kits that end in H or H* contain mounting kit, 4-hose kit (to connect loader to OEM remote valve) and grill guard, if available.

Prices and specifications subject to change without notice.
 Prices effective January 1, 2021. Supersedes all previous pricing.
 Woods reserves the right to limit quantities and apply surcharges at any time.

Unless noted, each "Loader Complete" STANDARD configuration includes loader, bucket, and completing kit (mount, hydraulics and grill guard, if grill guard is available). Any deviation from standard configuration will require ordering components individually.

Quick Order Section – Loader Model LC96 (Continued)

Tractor Brand / Model	Loader Pkg. Type	Fits Tractor Type				Loader Frame Color	Quick Order Part Numbers					Ship Wt. (lbs.)	Suggested List Price	Tractor Notes	
		2WD	4WD	ROPS	CAB		LC96 Loader Frame	Bucket Width (in.)	Pin-On Bucket	Quick Attach. Coupler	QA Bucket				Completing Kit *
MASSEY FERGUSON® (Continued)															
1429/1433/1433V/1440/1440V (Non-Hydrostat versions)	Pin-on	X	X	X		Red	2209626	66	2230066			111770D	1082	\$ 7,579	
1429/1433/1433V/1440/1440V (Non-Hydrostat versions)	QA	X	X	X		Red	2209626	66		2200000	2240066	111770D	1172	8,209	
1529/1532	Pin-on		X	X		Red	2209626	66	2230066			2200019D	TBD	7,667	
1529/1532	QA		X	X		Red	2209626	66		2200000	2240066	2200019D	TBD	8,297	
1533/1540	Pin-on		X	X		Red	2209626	66	2230066			111787D	657	7,567	
1533/1540	QA		X	X		Red	2209626	66		2200000	2240066	111787D	747	8,197	
1635	Pin-on		X	X		Red	2209626	66	2230066			111787D	657	7,567	
1635	QA		X	X		Red	2209626	66		2200000	2240066	111787D	747	8,197	

- * Completing Kits that end in D or D* contain mounting kit, Woods Hydraulic Package (2-spool direct control valve and hose kit) and grill guard, if available.
 Completing Kits that end in C1 contain mounting kit, Woods Hydraulic Package (2-spool cable control valve and hose kit) and grill guard, if available.
 Completing Kits that end in H or H* contain mounting kit, 4-hose kit (to connect loader to OEM remote valve) and grill guard, if available.

PRICING DOES NOT INCLUDE CURRENT SURCHARGE AMOUNT

Prices and specifications subject to change without notice.
 Prices effective January 1, 2021. Supersedes all previous pricing.
 Woods reserves the right to limit quantities and apply surcharges at any time.

Unless noted, Completing Kits include Mount Kit, Woods® Hydraulic Package (or 4-Hose Kit for tractor remotes) and Grill Guard.

Completing Kits – Loader Model LC96

Tractor Brand / Model	Fits Tractor Type				Completing Kit Part No. **	Mount Kit	Woods Hydraulic Package		OR	4-Hose Kit	Grill Guard	Ship Wt. (lbs.)	Suggested List Price	Notes
	2WD	4WD	ROPS	CAB			Connects to OEM Valve or Remotes	2-Spool Valve Kit		Hoses for Loader Valve				
AGCO®														
ST34A/ST41A		X	X		111787D	111787	1023509	1023604		N/A	1013288	0	\$ 3,064	
ST35/ST35X/ST40/ST40X (All Non-Hydro Models)	X	X	X		111770D	W111770	1023509	1023605		N/A	1006322	425	3,076	
BRANSON®														
2910/3510/3820/4220/4720		X	X		111789D1	111789	1023800	1023528		N/A	1013487	0	2,477	
CASE IH®														
D25/DX25/D29/DX29/DX31/D33/ DX33/DX34	X	X	X		2200014D	2200014	1023509	1023531		A	1022113	406	3,028	11
D25/DX25/D29/DX29/DX31/D33/ DX33/DX34	X	X	X		2200014H	2200014	A	A		1023613	1022113	0	1,981	1, 11
D35/DX35/D40/DX40/D45/DX45	X	X	X		2200015D	2200015	1023509	1023529		A	1001044	426	3,048	
D35/DX35/D40/DX40/D45/DX45	X	X	X	X	2200015H	2200015	A	A		1023613	1001044	0	1,911	12
Farmall 30B/35B	X	X	X		2200033H	2200033	N/A	N/A		1033412	1033415	0	1,749	16
Farmall 31/35	X	X	X		2200014D	2200014	1023509	1023531		A	1022113	406	3,028	11
Farmall 31/35	X	X	X		2200014H	2200014	A	A		1023613	1022113	0	1,981	1, 11
Farmall 40/45/50	X	X	X		2200015D	2200015	1023509	1023529		A	1001044	426	3,048	
Farmall 40/45/50	X	X	X	X	2200015H	2200015	A	A		1023613	1001044	0	1,911	12
Farmall 40B/50B	X	X	X		2200034H	2200034	N/A	N/A		1033412	1033425	0	1,749	16
Farmall 40C/50C		X	X		2200043H	2200043	N/A	N/A		1037195	1042732	0	2,426	15
CHALLENGER®														
MT265B/MT275B		X	X		111787D	111787	1023509	1023604		N/A	1013288	0	3,064	
CUB CADET®														
7260/7265/7300/7305	X	X	X		111730D	W111730	1023509	1023610		N/A	w/mount	448	2,761	6, 8
FORD® & NEW HOLLAND®														
1320/1520/1620/1715	X	X	X		111755D1	W111755	1023509	1023535		N/A	1001550	403	2,931	11
1530/1630	X	X	X		111755D1	W111755	1023509	1023535		A	1001550	403	2,931	1, 2, 11
1530/1630	X	X	X		111755H	W111755	A	A		1023613	1001550	TBD	1,724	1, 2, 11
1720	X	X	X		111755D1	W111755	1023509	1023535		N/A	1001550	403	2,931	
1725/1925	X	X	X		111755D1	W111755	1023509	1023535		A	1001550	403	2,931	1, 11
1725/1925	X	X	X		111755H	W111755	A	A		1023613	1001550	TBD	1,724	1, 11
1920	X	X	X		111758D1	111758	1023509	1023529		N/A	46995	0	2,934	
Boomer 30/35	X	X	X		2200033H	2200033	N/A	N/A		1033412	1033415	0	1,749	16
Boomer 40/50	X	X	X		2200034H	2200034	N/A	N/A		1033412	1033425	0	1,749	16, 17
Boomer 41/47		X	X		2200043H	2200043	N/A	N/A		1037195	1042732	0	2,426	15

** Completing Kits that end in D or D* contain mounting kit, Woods Hydraulic Package (2-spool direct control valve and hose kit) and grill guard, if available.
 Completing Kits that end in C1 contain mounting kit, Woods Hydraulic Package (2-spool cable control valve and hose kit) and grill guard, if available.
 Completing Kits that end in H or H* contain mounting kit, 4-hose kit (to connect loader to OEM remote valve) and grill guard, if available.
 A = Available
 N/A = Not Available

Prices and specifications subject to change without notice.
 Prices effective January 1, 2021. Supersedes all previous pricing.
 Woods reserves the right to limit quantities and apply surcharges at any time.

Unless noted, Completing Kits include Mount Kit, Woods® Hydraulic Package (or 4-Hose Kit for tractor remotes) and Grill Guard.

Completing Kits – Loader Model LC96 (Continued)

Tractor Brand / Model	Fits Tractor Type				Completing Kit Part No. **	Mount Kit	Woods Hydraulic Package		OR	4-Hose Kit Connects to OEM Valve or Remotes	Grill Guard	Ship Wt. (lbs.)	Suggested List Price	Notes
	2WD	4WD	ROPS	CAB			2-Spool Valve Kit	Hoses for Loader Valve						
FORD® & NEW HOLLAND® (Continued)														
Boomer 3040/3045/3050, 8N	X	X	X	X	2200015D	2200015	1023509	1023529		A	1001044	426	\$ 3,048	12
T1530	X	X	X		2200015D	2200015	1023509	1023529		A	1001044	426	3,048	
T2210/T2220 with or w/out Super Steer	X	X	X		2200014D	2200014	1023509	1023531		A	1022113	406	3,028	11
T2210/T2220 with or w/out Super Steer	X	X	X		2200014H	2200014	A	A		1023613	1022113	0	1,981	1, 11
T2310/T2320/T2330 with or without Super Steer	X	X	X		2200015D	2200015	1023509	1023529		A	1001044	426	3,048	
T2310/T2320/T2330 with or without Super Steer	X	X	X	X	2200015H	2200015	A	A		1023613	1001044	0	1,911	12
TC25/TC25D/TC29/TC29D/TC29DA/TC31DA/TC33/TC33D/TC33DA/TC34DA with or without Super Steer	X	X	X		2200014D	2200014	1023509	1023531		A	1022113	406	3,028	11
TC25/TC25D/TC29/TC29D/TC29DA/TC31DA/TC33/TC33D/TC33DA/TC34DA with or without Super Steer	X	X	X		2200014H	2200014	A	A		1023613	1022113	0	1,981	1, 11
TC30/T1510/T1520	X	X	X		2200013D	2200013	1023509	1022118		N/A	1022113	393	2,890	14
TC35/TC35A/TC35D/TC40/TC40A/TC40D/TC40DA/TC45/TC45A/TC45D/TC45DA with or without Super Steer	X	X	X		2200015D	2200015	1023509	1023529		A	1001044	426	3,048	
TC35/TC35A/TC35D/TC40/TC40A/TC40D/TC40DA/TC45/TC45A/TC45D/TC45DA with or without Super Steer	X	X	X	X	2200015H	2200015	A	A		1023613	1001044	0	1,911	12
JOHN DEERE®														
870/970/1070 (Power Steering only)	X	X	X		111742D1	W111742	1023509	1023542		A	40988	0	2,860	3
870/970/1070 (Power Steering only)	X	X	X		111742H1	W111742	A	A		1023616	40988	328	1,723	3
990	X	X	X		111742D1	W111742	1023509	1023542		A	40988	0	2,860	3
990	X	X	X		111742H1	W111742	A	A		1023616	40988	328	1,723	3
3120/3320/3520/3720		X	X		211716H	211716	N/A	N/A		1023628	1019012	0	1,906	5
3203		X	X		211716H	211716	N/A	N/A		1023628	1019012	0	1,906	5
4120/4320/4520/4720	X	X	X		211713H1	211713	N/A	N/A		1023615	1014864	0	1,467	5
4200/4300/4400	X	X	X		111754H	W111754	N/A	N/A		1023615	59738	0	1,833	5
4210/4310/4410	X	X	X		111776H	111776	N/A	N/A		1023615	59738	311	1,686	5
4500/4510/4600/4610/4700/4710	X	X	X		111753H1	W111753	N/A	N/A		1023615	59738	0	1,906	5
KIOTI®														
DK35SE		X	X		2200009H	2200009	N/A	N/A		1025739	1025236	0	2,735	13
KUBOTA®														
L2050/L2350	X	X	X		111762D	111762	1023509	1023620		N/A	1002615	0	3,153	4
L2250/L2550/L2850/L3250	X	X	X		111739D1	W111739	1023509	1023549		N/A	1002615	456	3,042	
L2500/L2600	X	X	X		111762D	111762	1023509	1023620		N/A	1002615	0	3,153	
L2650/L2950/L3450/L3650	X	X	X		111739D1	W111739	1023509	1023549		N/A	1002615	456	3,042	

** Completing Kits that end in D or D* contain mounting kit, Woods Hydraulic Package (2-spool direct control valve and hose kit) and grill guard, if available. Completing Kits that end in C1 contain mounting kit, Woods Hydraulic Package (2-spool cable control valve and hose kit) and grill guard, if available. Completing Kits that end in H or H* contain mounting kit, 4-hose kit (to connect loader to OEM remote valve) and grill guard, if available.
A = Available
N/A = Not Available

Prices and specifications subject to change without notice.
Prices effective January 1, 2021. Supersedes all previous pricing.
Woods reserves the right to limit quantities and apply surcharges at any time.

Unless noted, Completing Kits include Mount Kit, Woods® Hydraulic Package (or 4-Hose Kit for tractor remotes) and Grill Guard.

Completing Kits – Loader Model LC96 (Continued)

Tractor Brand / Model	Fits Tractor Type				Completing Kit Part No. **	Mount Kit	Woods Hydraulic Package		OR	4-Hose Kit	Grill Guard	Ship Wt. (lbs.)	Suggested List Price	Notes
	2WD	4WD	ROPS	CAB			Connects to OEM Valve or Remotes	2-Spool Valve Kit		Hoses for Loader Valve				
KUBOTA® (Continued)														
L2800/L3400/L2800 HST/L3400 HST	X	X	X		111780D	111780	1023511	included w/valve		N/A	1006492	0	\$ 2,370	10
L2900/L3300/L3600/L4200	X	X	X		111761D1	W111761	1023509	1023535		N/A	1002615	477	3,407	7
L2900/L3300/L3600/L4200	X	X		X	111761C1	W111761	1023510	1023545		N/A	1002615	0	3,702	7
L3010/L3410/L3710/L4310	X	X	X		111761D1	W111761	1023509	1023535		N/A	1002615	477	3,407	7, 9
L3010/L3410/L3710/L4310	X	X		X	111761C1	W111761	1023510	1023545		N/A	1002615	0	3,702	7, 9
L3130/L3430/L3830	X	X	X		111771D1	W111771	1023511	included w/valve		N/A	1006492	0	2,560	10
L3200/L3800	X	X	X		111780D1	111780	1023511	included w/valve		N/A	1033670	0	2,388	
L3240/L3540	X	X	X	X	2200004H	2200004	N/A	N/A	1023627	1006492	309		1,412	
L3430	X	X		X	111771C1	W111771	1023510	1023550		N/A	1006492	TBD	3,221	
L3700SU	X	X	X		111780D1	111780	1023511	included w/valve		N/A	1033670	0	2,388	
L3940	X	X	X	X	2200004H2	2200004	N/A	N/A	W1023996	1029450	309		TBD	
L4240/L4740		X	X	X	2200003H2	2200003	N/A	N/A	1023627	1029450	433		1,831	
L4330/L4630/L5030	X	X	X		111772D1	W111772	1023511	included w/valve		N/A	1006492	0	2,560	10
L4330/L4630/L5030	X	X		X	111772C1	W111772	1023510	1023550		N/A	1006492	0	3,221	
L4400	X	X	X		211711D1	211711	1023511	included w/valve		N/A	1006492	379	2,560	10
L4600	X	X	X		211711D2	211711	1023511	included w/valve		N/A	1033670	TBD	2,576	10
L4610	X	X	X		111769D1	W111769	1023509	1023535		N/A	1004610	457	3,042	
L4610	X	X		X	111769C1	W111769	1023510	1023545		N/A	1004610	0	3,331	
MX5000	X	X	X		111769D1	W111769	1023509	1023535		N/A	1004610	457	3,042	
MAHINDRA®														
2615/3015	X	X	X		111730D	W111730	1023509	1023610		N/A	w/mount	448	2,761	
MASSEY FERGUSON®														
1125/1140/1145	X	X	X		111741D	W111741	1023509	1023622		N/A	58310	0	3,045	
1240	X	X	X		111741D	W111741	1023509	1023622		N/A	58310	0	3,045	
1250/1260 (Prior to SN "G")	X	X	X		111741D	W111741	1023509	1023622		N/A	58310	0	3,045	
1250/1260 (SN "G" & Later)	X	X	X		111741D1	W111741	1023509	1023623		N/A	58310	TBD	2,918	
1429/1433/1433V/1440/1440V (Non-Hydrostat versions)	X	X	X		111770D	W111770	1023509	1023624		N/A	1006322	425	3,076	
1529/1532		X	X		2200019D	2200019	1023509	1030185		N/A	1013288	TBD	3,164	
1533/1540		X	X		111787D	111787	1023509	1023604		N/A	1013288	0	3,064	
1635		X	X		111787D	111787	1023509	1023604		N/A	1013288	0	3,064	

** Completing Kits that end in D or D* contain mounting kit, Woods Hydraulic Package (2-spool direct control valve and hose kit) and grill guard, if available.
 Completing Kits that end in C1 contain mounting kit, Woods Hydraulic Package (2-spool cable control valve and hose kit) and grill guard, if available.
 Completing Kits that end in H or H* contain mounting kit, 4-hose kit (to connect loader to OEM remote valve) and grill guard, if available.
 A = Available
 N/A = Not Available

Prices and specifications subject to change without notice.
 Prices effective January 1, 2021. Supersedes all previous pricing.
 Woods reserves the right to limit quantities and apply surcharges at any time.

Miscellaneous – Loader Model LC96

Part No.	Description	Shipping Wt. (lbs.)	Suggested List Price
1005093	Paint – Case of 12 Spray Cans – Red to match Case IH®	13	\$ 173.00
1005095	Paint – Case of 12 Spray Cans – Blue to match New Holland® Vibrant Blue	13	173.00
1005096	Paint – Case of 12 Spray Cans – Blue to match New Holland Ford® Blue	13	173.00
1005097	Paint – Case of 12 Spray Cans – Orange to match Kubota®	13	173.00
1005098	Paint – Case of 12 Spray Cans – Red to match Massey Ferguson®	13	173.00

COMPACT SERIES LOADERS – TRACTOR NOTES

SECTION 4

Tractor Notes – Loader Model LC96

1. Mount fits with OEM auxiliary valve – OEM auxiliary valve required Woods® hose kit 1023613.
2. Fits with Super Steer® front axle.
3. If tractor is equipped with John Deere® BM18010 rear quick coupler kit, use Woods hose kit 1023542. If tractor is equipped with John Deere Selective Control Valve (SCV), use Woods hose kit 1023616.
4. Tractor must have power steering to use hose kit.
5. Requires John Deere Selective Control Valve (SCV) and Woods hose kit to connect to tractor mid-remote couplers.
6. Grill guard included with mounting kit.
7. Will not fit 3-cylinder tractors with 29 x 12.5 x 15 turf tires.
8. Fits with Woods mower models C360 & C372.
9. L3010 and L3410 only – fits with Kubota mid-mount mower model RC72-29A.
10. 2-function valve kit 1023511 includes all hoses and fittings to connect to tractor hydraulic system.
11. Requires reinforcement kit 1004750 to fit OEM mower model 914A. Reinforcement kit is NOT compatible with Super Steer front axle.
12. Tractors with Cab must be equipped with OEM loader valve and mid-remote quick couplers. Order hose kit 1023613 to connect.
13. Tractor must be equipped with Kioti® mid-remote cable valve and couplers to use hose kit 1025236.
14. Weight box 1006124 is recommended for tractor stability.
15. Tractor must be equipped with OEM loader valve and mid-remote quick couplers.
16. Tractor must be equipped with OEM loader valve and mid-remote quick couplers. Order hose kit 1033412 to connect.
17. Not compatible with Ag tires. Compatible with industrial and turf tires only.

Prices and specifications subject to change without notice.
 Prices effective January 1, 2021. Supersedes all previous pricing.
 Woods reserves the right to limit quantities and apply surcharges at any time.

LC96 Features and Specifications

FEATURES:

- Curved loader boom
- Midmount loader boom attachment
- Fast D-Tach loader
- Parking stands – stored in loader boom cross tube
- Bucket rod level indicator
- Manual tube on the loader boom cross tube
- Optional Quick Attach Coupler System
- Construction grade, heavy-duty, round back bucket
- 2-year warranty

SPECIFICATIONS:

- Fits 20 – 35 hp tractors (2WD & FWA)
- Lift height: 96 inches
- Lift cylinders: 1.77 inches; Single bucket cylinder: 2.76 inches
- Lift capacity at bucket pins: 1200 lbs.
- Lift capacity at 19.7 inches ahead of bucket pivot pins: 900 lbs.
- Breakout at bucket pins: 2150 lbs.



- Breakout at 19.7 inches ahead of bucket pivot pins: 1650 lbs.
- Maximum digging depth: 4 inches
- Dump angle: 45 degrees
- Roll back angle: 24 degrees
- Reach: 30 inches
- Pivot pins diameter: 1.00 and 1.25 inches

To Order a Complete Loader by Ordering Individual Components

- Find the tractor brand and model you are attempting to fit in the **Tractor/Loader Adaptability Chart**.
- Select the loader model you wish to price (each model belongs to a Loader Series, i.e., Compact Series).
- Go to the appropriate Loader Model **Component Order** tab.
- Find the tractor brand / model you are fitting in the **Tractor Reference** section – part numbers needed to configure a loader are listed (except loader frame and bucket).
- Order loader frame.
- Order front-end attachment(s).
- Order mounting kit.
- Order valve kit.
- Order hose kit OR 4-hose kit to connect to OEM remote valve.
- Order grill guard.

Be sure to refer to the “Notes” column; Tractor Notes are found at the end of each tabbed section in the Loader price pages.

Prices for each component are listed in the appropriate component section.

If you have any questions, please contact Woods® Dealer Services.

EXAMPLE:

When ordering a loader to fit a Kubota® tractor, model L3430 ROPS, do the following:

1. The Kubota L3430 ROPS tractor is fit by three Woods loader models: LC96, LC102 and LC108. (Reference Tractor/Loader Adaptability Chart.) We are selecting the LC96 model.
2. Flip to the LC96 **Components** tab and go to the Tractor Reference Chart for components to order to complete the LC96 Loader.
 - a. **Section 1** – Order the loader frame #2209624 (Orange to match Kubota).
 - b. **Section 2** – Order the bucket #2230066 (66” pin-on attachment bucket).
Note: If selecting a quick change system, order Quick Attach Coupler System and buckets compatible with the Quick Attach Coupler System. Other front end attachments may be ordered within this section.
 - c. **Section 3** – Order the mounting kit #W111771.
 - d. **Section 4** – Order the valve kit #1023511.
 - e. **Section 5** – Order the hose kit # (included with valve) OR the 4-hose kit # (N/A).
 - f. **Section 6** – Order grill guard #1006492.

Prices and specifications subject to change without notice.
 Prices effective January 1, 2021. Supersedes all previous pricing.
 Woods reserves the right to limit quantities and apply surcharges at any time.

COMPACT SERIES LOADERS – MODEL LC96 TRACTOR REFERENCE CHART

Tractor Brand / Model	Fits Tractor Type				Mount Kit	Hydraulic Package		OR	4-Hose Kit	Grill Guard	OEM Mid-Mower Compat.	Tractor Notes
	2WD	4WD	ROPS	CAB		2-Spool Valve Kit	Hoses for Loader Valve		Connects to OEM Valve			
AGCO®												
ST34A/ST41A		X	X		111787	1023509	1023604		N/A	1013288	SM72A	
ST35/ST35X/ST40/ST40X (All Non-Hydro Models)	X	X	X		W111770	1023509	1023605		N/A	1006322	SM72A	
BRANSON®												
2910/3510/3820/4220/4720		X	X		111789	1023800	1023528		N/A	1013487		
CASE IH®												
D25/DX25/D29/DX29/DX31/D33/DX33/DX34	X	X	X		2200014	1023509	1023531		1023613	1022113		1, 11
D35/DX35/D40/DX40/D45/DX45	X	X	X	X	2200015	1023509	1023529		1023613	1001044		12
Farmall 30B/35B	X	X	X		2200033	N/A	N/A		1033412	1033415		16
Farmall 31/35	X	X	X		2200014	1023509	1023531		1023613	1022113		1, 11
Farmall 40/45/50	X	X	X	X	2200015	1023509	1023529		1023613	1001044		12
Farmall 40B/50B	X	X	X		2200034	N/A	N/A		1033412	1033425		16
Farmall 40C/50C		X	X		2200043	N/A	N/A		1037195	1042732		15
CHALLENGER®												
MT265B/MT275B		X	X		111787	1023509	1023604		N/A	1013288	72"	
CUB CADET®												
7260/7265/7300/7305	X	X	X		W111730	1023509	1023610		N/A	w/mount	401/404	6, 8
FORD® & NEW HOLLAND®												
1320/1520/1620/1715	X	X	X		W111755	1023509	1023535		N/A	1001550	914A	11
1530/1630	X	X	X		W111755	1023509	1023535		1023613	1001550		1, 2, 11
1720	X	X	X		W111755	1023509	1023535		N/A	1001550		
1725/1925	X	X	X		W111755	1023509	1023535		1023613	1001550		1, 11
1920	X	X	X		111758	1023509	1023529		N/A	46995		
Boomer 30/35	X	X	X		2200033	N/A	N/A		1033412	1033415		16
Boomer 40/50	X	X	X		2200034	N/A	N/A		1033412	1033425		16, 17
Boomer 41/47		X	X		2200043	N/A	N/A		1037195	1042732		15
Boomer 3040/3045/3050, BN	X	X	X	X	2200015	1023509	1023529		1023613	1001044		12
T1530	X	X	X		2200015	1023509	1023529		1023613	1001044		
T2210/T2220 with or without Super Steer	X	X	X		2200014	1023509	1023531		1023613	1022113		1, 11
T2310/T2320/T2330 with or without Super Steer	X	X	X	X	2200015	1023509	1023529		1023613	1001044		12
TC25/TC25D/TC29/TC29D/TC29DA/TC31DA/TC33/TC33D/TC33DA/TC34DA with or without Super Steer	X	X	X		2200014	1023509	1023531		1023613	1022113		1, 11
TC30/T1510/T1520	X	X	X		2200013	1023509	1022118		N/A	1022113		14
TC35/TC35A/TC35D/TC40/TC40A/TC40D/TC40DA/TC45/TC45A/TC45D/TC45DA with or without Super Steer	X	X	X	X	2200015	1023509	1023529		1023613	1001044		12

Tractor Reference Chart continued on next page.

Note: If listed, 4-hose kit for use with tractor remotes may be ordered instead of Woods® valve and hose kit for loader valve.

N/A = Not Available

Prices and specifications subject to change without notice.
 Prices effective January 1, 2021. Supersedes all previous pricing.
 Woods reserves the right to limit quantities and apply surcharges at any time.

COMPACT SERIES LOADERS – MODEL LC96 TRACTOR REFERENCE CHART (Continued)

Tractor Brand / Model	Fits Tractor Type				Mount Kit	Hydraulic Package		OR	4-Hose Kit	Grill Guard	OEM Mid-Mower Compat.	Tractor Notes
	2WD	4WD	ROPS	CAB		2-Spool Valve Kit	Hoses for Loader Valve		Connects to OEM Valve			
JOHN DEERE®												
870/970/1070 (Power Steering only)	X	X	X		W111742	1023509	1023542		1023616	40988		3
990	X	X	X		W111742	1023509	1023542		1023616	40988		3
3120/3320/3520/3720		X	X		211716	N/A	N/A		1023628	1019012		5
3203		X	X		211716	N/A	N/A		1023628	1019012		5
4120/4320/4520/4720	X	X	X		211713	N/A	N/A		1023615	1014864		5
4200/4300/4400	X	X	X		W111754	N/A	N/A		1023615	59738		5
4210/4310/4410	X	X	X		111776	N/A	N/A		1023615	59738		5
4500/4510/4600/4610/4700/4710	X	X	X		W111753	N/A	N/A		1023615	59738		5
KIOTI®												
DK35SE		X	X		2200009	N/A	N/A		1025739	1025236		13
KUBOTA®												
L2050/L2350	X	X	X		111762	1023509	1023620		N/A	1002615		4
L2250/L2550/L2850/L3250	X	X	X		W111739	1023509	1023549		N/A	1002615		
L2500/L2600	X	X	X		111762	1023509	1023620		N/A	1002615		
L2650/L2950/L3450/L3650	X	X	X		W111739	1023509	1023549		N/A	1002615		
L2800/L3400/L2800 HST/L3400 HST	X	X	X		111780	1023511	included w/valve		N/A	1006492		10
L2900/L3300/L3600/L4200	X	X	X		W111761	1023509	1023535		N/A	1002615		7
L2900/L3300/L3600/L4200	X	X		X	W111761	1023510	1023545		N/A	1002615		7
L3010/L3410/L3710/L4310	X	X	X		W111761	1023509	1023535		N/A	1002615	RC72-29A	7, 9
L3010/L3410/L3710/L4310	X	X		X	W111761	1023510	1023545		N/A	1002615	RC72-29A	7, 9
L3130/L3430/L3830	X	X	X		W111771	1023511	included w/valve		N/A	1006492		10
L3200/L3800	X	X	X		111780	1023511	included w/valve		N/A	1033670		
L3240/L3540	X	X	X	X	2200004	N/A	N/A		1023627	1006492	RC72-38	
L3430	X	X		X	W111771	1023510	1023550		N/A	1006492		
L3700SU	X	X	X		111780	1023511	included w/valve		N/A	1033670		
L3940	X	X	X	X	2200004	N/A	N/A		W1023996	1029450	RC72-38	
L4240/L4740		X	X	X	2200003	N/A	N/A		1023627	1029450		
L4330/L4630/L5030	X	X	X		W111772	1023511	included w/valve		N/A	1006492		10
L4330/L4630/L5030	X	X		X	W111772	1023510	1023550		N/A	1006492		
L4400	X	X	X		211711	1023511	included w/valve		N/A	1006492		10
L4600	X	X	X		211711	1023511	included w/valve		N/A	1033670		10
L4610	X	X	X		W111769	1023509	1023535		N/A	1004610		
L4610	X	X		X	W111769	1023510	1023545		N/A	1004610		
MX5000	X	X	X		W111769	1023509	1023535		N/A	1004610		
MAHINDRA®												
2615/3015	X	X	X		W111730	1023509	1023610		N/A	w/mount		

Tractor Reference Chart continued on next page.

Note: If listed, 4-hose kit for use with tractor remotes may be ordered instead of Woods® valve and hose kit for loader valve.

N/A = Not Available

Prices and specifications subject to change without notice.
 Prices effective January 1, 2021. Supersedes all previous pricing.
 Woods reserves the right to limit quantities and apply surcharges at any time.

COMPACT SERIES LOADERS – MODEL LC96 TRACTOR REFERENCE CHART (Continued)

Tractor Brand / Model	Fits Tractor Type				Mount Kit	Hydraulic Package		OR	4-Hose Kit	Grill Guard	OEM Mid-Mower Compat.	Tractor Notes
	2WD	4WD	ROPS	CAB		2-Spool Valve Kit	Hoses for Loader Valve		Connects to OEM Valve			
MASSEY FERGUSON®												
1125/1140/1145	X	X	X		W111741	1023509	1023622		N/A	58310		
1240	X	X	X		W111741	1023509	1023622		N/A	58310		
1250/1260 (Prior TO SN "G")	X	X	X		W111741	1023509	1023622		N/A	58310		
1250/1260 (SN "G" & Later)	X	X	X		W111741	1023509	1023623		N/A	58310		
1429/1433/1433V/1440/1440V (Non-Hydrostat versions)	X	X	X		W111770	1023509	1023624		N/A	1006322		
1529/1532		X	X		2200019	1023509	1030185		N/A	1013288		
1533/1540		X	X		111787	1023509	1023604		N/A	1013288		
1635		X	X		111787	1023509	1023604		N/A	1013288		

Note: If listed, 4-hose kit for use with tractor remotes may be ordered instead of Woods® valve and hose kit for loader valve.

N/A = Not Available

PRICING DOES NOT INCLUDE CURRENT SURCHARGE AMOUNT

Prices and specifications subject to change without notice.
 Prices effective January 1, 2021. Supersedes all previous pricing.
 Woods reserves the right to limit quantities and apply surcharges at any time.

Frames – Loader Model LC96

Part No.	Description	Shipping Wt. (lbs.)	Suggested List Price
2209620	Black (Universal)	452	\$ 3,439.00
2209621	Green to match John Deere®	452	3,439.00
2209622	Red to match Case IH®	452	3,439.00
2209623	Blue to match Ford® & New Holland®	452	3,439.00
2209624	Orange to match Kubota®	452	3,439.00
2209626	Red to match Massey Ferguson®	452	3,439.00
2209627	Vibrant Blue to match New Holland®	452	3,439.00
2209630	Red to match Mahindra®	452	3,439.00

COMPACT SERIES LOADERS – BUCKETS & FRONT-END ATTACHMENTS

SECTION 2

Buckets & Front End Attachments – Loader Model LC96

STANDARD BUCKETS – PIN-ON ATTACHMENT – Or choose Quick Attach Coupler System in sections below

Part No.	Width (in.)	Description	Capacity	Shipping Wt. (lbs.)	Suggested List Price	Qty. of 5 List Price *
2230066	66	Heavy-Duty Loader Bucket – Pin-on Attach	10.4 cu. ft.	205	\$ 1,064.00	—

OPTIONAL QUICK ATTACH COUPLER SYSTEM – Order in place of Standard Buckets above

2200000	Skid Steer (ISO 24410) Quick Attach Coupler System			89	\$ 630.00	—
---------	--	--	--	----	-----------	---

OPTIONAL BUCKETS – Compatible with Quick Attach Coupler System

2170060	60	Standard-Duty Loader Bucket – Skid Steer Quick Attach	8.4 cu. ft.	178	\$ 587.00	—
2240066	66	Heavy-Duty Loader Bucket – Skid Steer Quick Attach	10.4 cu. ft.	206	1,064.00	—

SKID STEER (ISO 24410) QUICK ATTACH SYSTEM COMPATIBLE ATTACHMENTS

1037170	BS3044S – Single Bale Spear with 2 Stabilizer Spikes	3000 lbs.	201	\$ 695.00	\$ 626.00
1037171	BS6044S – Double Bale Spear	6000 lbs.	223	845.00	761.00
1045980	PFW2242S – Pallet Fork with 42" Tines, Walk-thru Frame	2200 lbs.	328	1,056.00	950.00
1042551	PFW4442S – Pallet Fork with 42" Tines, Walk-thru Frame	4400 lbs.	380	1,147.00	1,032.00
1042552	PFW4448S – Pallet Fork with 48" Tines, Walk-thru Frame	4400 lbs.	380	1,165.00	1,049.00
1045940	PF4448S – Pallet Fork with 48" Tines, Full Frame	4400 lbs.	436	1,193.00	1,074.00

* Order 5+ units in any combination of bale spears or any combination of pallet forks to receive an additional 10% discount.

OPTIONAL WEIGHT BOX FOR THREE-POINT HITCH

1006124	Weight Box for Rear Ballast – Fits Category 1, 3-Point Hitch	6.0 cu. ft.	113	\$ 492.00	—
---------	--	-------------	-----	-----------	---

Prices and specifications subject to change without notice.
 Prices effective January 1, 2021. Supersedes all previous pricing.
 Woods reserves the right to limit quantities and apply surcharges at any time.

Mounting Kits – Loader Model LC96

Mount Kit Part No.	Tractor Brand / Model	Fits Tractor Type				Ship Wt. (lbs.)	Suggested List Price
		2WD	4WD	ROPS	CAB		
AGCO®							
111787	ST34A/ST41A		X	X		310	\$ 1,464.00
W111770	ST35/ST355X/ST40/ST45X (All Non-Hydro Models)	X	X	X		344	1,394.00
BRANSON®							
111789	2910/3510/3820/4220/4720		X	X		325	1,013.00
CASE IH®							
2200014	D25/DX25/D29/DX29/DX31/D33/DX33/DX34	X	X	X		327	1,543.00
2200015	D35/DX35/D40/DX40/D45/DX45	X	X	X	X	351	1,543.00
2200033	Farmall 30B/35B	X	X	X		274	1,388.00
2200014	Farmall 31/35	X	X	X		327	1,543.00
2200015	Farmall 40/45/50	X	X	X	X	351	1,543.00
2200034	Farmall 40B/50B	X	X	X		327	1,388.00
2200043	Farmall 40C/50C		X	X		348	1,965.00
CHALLENGER®							
111787	MT265B/MT275B		X	X		310	1,464.00
CUB CADET®							
W111730	7260/7265/7300/7305	X	X	X		402	1,332.00
FORD® & NEW HOLLAND®							
W111755	1320/1520/1620/1715	X	X	X		332	1,388.00
W111755	1530/1630	X	X	X		332	1,388.00
W111755	1720	X	X	X		332	1,388.00
W111755	1725/1925	X	X	X		332	1,388.00
111758	1920	X	X	X		343	1,464.00
2200033	Boomer 30/35	X	X	X		274	1,388.00
2200034	Boomer 40/50	X	X	X		327	1,388.00
2200043	Boomer 41/47		X	X		348	1,965.00
2200015	Boomer 3040/3045/3050, 8N	X	X	X	X	351	1,543.00
2200015	T1530	X	X	X		351	1,543.00
2200014	T2210/T2220 with or without Super Steer	X	X	X		327	1,543.00
2200015	T2310/T2320/T2330 with or without Super Steer	X	X	X	X	351	1,543.00
2200014	TC25/TC25D/TC29/TC29D/TC29DA/TC31DA/TC33/TC33D/TC33DA/TC34DA with or without Super Steer	X	X	X		327	1,543.00
2200013	TC30/T1510/T1520	X	X	X		316	1,388.00
2200015	TC35/TC35A/TC35D/TC40/TC40A/TC40D/TC40DA/TC45/TC45A/TC45D/TC45DA with or without Super Steer	X	X	X	X	351	1,543.00

Mount Kit Part No.	Tractor Brand / Model	Fits Tractor Type				Ship Wt. (lbs.)	Suggested List Price
		2WD	4WD	ROPS	CAB		
JOHN DEERE®							
W111742	870/970/1070 (with Power Steering Only)	X	X	X		275	\$ 1,243.00
W111742	990	X	X	X		275	1,243.00
211716	3120/3320/3520/3720		X	X		255	1,435.00
211716	3203		X	X		255	1,435.00
211713	4120/4320/4520/4720	X	X	X		272	952.00
W111754	4200/4300/4400	X	X	X		246	1,319.00
111776	4210/4310/4410	X	X	X		264	1,171.00
W111753	4500/4510/4600/4610/4700/4710	X	X	X		262	1,388.00
KIOTI®							
2200009	DK35SE		X	X		337	1,969.00
KUBOTA®							
111762	L2050/L2350	X	X	X		364	1,464.00
W111739	L2250/L2550/L2850/L3250	X	X	X		359	1,388.00
111762	L2500/L2600	X	X	X		364	1,464.00
W111739	L2650/L2950/L3450/L3650	X	X	X		359	1,388.00
111780	L2800/L3400/L2800 HST/L3400 HST	X	X	X		218	980.00
W111761	L2900/L3300/L3600/L4200	X	X	X		384	1,756.00
W111761	L2900/L3300/L3600/L4200	X	X		X	384	1,756.00
W111761	L3010/L3410/L3710/L4310	X	X	X		384	1,756.00
W111761	L3010/L3410/L3710/L4310	X	X		X	384	1,756.00
W111771	L3130/L3430/L3830	X	X	X		310	1,171.00
111780	L3200/L3800	X	X	X		218	980.00
2200004	L3240/L3540	X	X	X	X	220	883.00
W111771	L3430	X	X		X	310	1,171.00
111780	L3700SU	X	X	X		218	980.00
2200004	L3940	X	X	X	X	220	883.00
2200003	L4240/L4740		X	X	X	347	1,135.00

Mounting Kits continued on next page.

Prices and specifications subject to change without notice.
 Prices effective January 1, 2021. Supersedes all previous pricing.
 Woods reserves the right to limit quantities and apply surcharges at any time.

COMPACT SERIES LOADERS – MOUNTING KITS (Continued) SECTION 3

Mounting Kits – Loader Model LC96 (Continued)

Mount Kit Part No.	Tractor Brand / Model	Fits Tractor Type				Ship Wt. (lbs.)	Suggested List Price	Mount Kit Part No.	Tractor Brand / Model	Fits Tractor Type				Ship Wt. (lbs.)	Suggested List Price
		2WD	4WD	ROPS	CAB					2WD	4WD	ROPS	CAB		
KUBOTA® (Continued)							MASSEY FERGUSON®								
W111772	L4330/L4630/L5030	X	X	X		313	\$ 1,171.00	W111741	1125/1140/1145	X	X	X		324	\$ 1,319.00
W111772	L4330/L4630/L5030	X	X		X	313	1,171.00	W111741	1240	X	X	X		324	1,319.00
211711	L4400	X	X	X		285	1,171.00	W111741	1250/1260 (Prior to SN "G")	X	X	X		324	1,319.00
211711	L4600	X	X	X		285	1,171.00	W111741	1250/1260 (SN "G" & Later)	X	X	X		324	1,319.00
W111769	L4610	X	X	X		355	1,388.00	W111770	1429/1433/1433V/ 1440/1440V (Non-Hydrostat versions)	X	X	X		344	1,394.00
W111769	L4610	X	X		X	355	1,388.00	2200019	1529/1532		X	X		318	1,464.00
W111769	MX5000	X	X	X		355	1,388.00	111787	1533/1540		X	X		310	1,464.00
MAHINDRA®															
W111730	2615/3015	X	X	X		402	1,332.00	111787	1635		X	X		310	1,464.00

COMPACT SERIES LOADERS – LOADER VALVE KITS SECTION 4

Valve Kits – Loader Model LC96

Part No.	Description	Shipping Wt. (lbs.)	Suggested List Price
1023509	Joystick Valve Kit – 2500 psi relief – Direct Control, Series Regenerative	39	\$ 1,135.00
1023510	Joystick Valve Kit – 2500 psi relief – Fender Mount Cable Control, Series Regenerative	38	1,537.00
1023511	Joystick Valve Kit – 2500 psi relief – Direct Control, Series Regenerative (includes hoses)	39	1,171.00
1023800	Joystick Valve Kit – 2500 psi relief – Direct Control, Series Regenerative – Tall	TBD	1,205.00

Prices and specifications subject to change without notice.
 Prices effective January 1, 2021. Supersedes all previous pricing.
 Woods reserves the right to limit quantities and apply surcharges at any time.

Hose Kits – Loader Model LC96

Part No.	Description	Shipping Wt. (lbs.)	Suggested List Price
1022118	Hose Kit – Ford® & New Holland® TC30/T1510/T1520, reference 2200013 mount kit	4	\$ 149.00
1023528	Hose Kit – Power Beyond, Branson® 2910/3510/3820/4220/4720, reference 111789 mount kit	7	247.00
1023529	Hose Kit – Power Beyond, Case IH® and Ford & New Holland	6	222.00
1023531	Hose Kit – Power Beyond, Case IH and Ford & New Holland	6	133.00
1023535	Hose Kit – Power Beyond, Ford & New Holland and Kubota® (see reference list)	8	293.00
1023542	Hose Kit – Power Beyond, John Deere® 870/970/1070, 990 (requires JD BM18010 hydraulic kit)	13	333.00
1023545	Hose Kit – Power Beyond, Kubota L2900/L3300/L3600/L4200 CAB, L3010/L3410/L3710/L4310/L4610 CAB, reference W111761 mount kit	6	187.00
1023549	Hose Kit – Power Beyond, Kubota L2250 – L3650, reference W111739 mount kit	12	293.00
1023550	Hose Kit – Power Beyond, Kubota L3430/L4330/L4630/L5030 with Cab	11	293.00
1023604	Hose Kit – Power Beyond, AGCO® ST34A/ST41A, Challenger® MT265B/MT275B, Massey Ferguson® 1533/1540/1635, reference 111787 mount kit	9	267.00
1023605	Hose Kit – Power Beyond, AGCO ST35/ST35X/ST40/ST40X, reference W111770 mount kit	7	257.00
1023610	Hose Kit – Power Beyond, Cub Cadet® 7260/7265/7300/7305 and Mahindra® 2615/3015, reference W111730 mount kit	7	293.00
1023613	Hose Kit – (4) 54" Hoses with couplers, Case IH and Ford & New Holland	9	222.00
1023615	Hose Kit – (4) 46" Hoses with couplers, John Deere 4000 series tractors (use with JD SCV valve)	7	293.00
1023616	Hose Kit – (4) 75" Hoses with couplers, John Deere 870/970/990/1070 (use with JD SCV valve)	10	333.00
1023620	Hose Kit – Power Beyond, Kubota L2050/L2350/L2500/L2600, reference 111762 mount kit	10	333.00
1023622	Hose Kit – Power Beyond, Massey Ferguson 1125/1140/1145, 1240, 1250/1260 (Prior to SN "G"), reference W111741 mount kit	10	369.00
1023623	Hose Kit – Power Beyond, Massey Ferguson 1250/1260 (SN "G" & Later), reference W111741 mount kit	TBD	243.00
1023624	Hose Kit – Power Beyond, Massey Ferguson 1429/1433/1433V/ 1440/1440V, reference W111770 mount kit	6	257.00
1023627	Hose Kit – (4) 54" Hoses with couplers, Kubota L3240/L3540, L4240/L4740, reference 2200003/2200004 mount kits	9	313.00
1023628	Hose Kit – (4) 46" Hoses with couplers, John Deere 3120/3320/3520/3720 & 3203	7	137.00
W1023996	Hose Kit – Kubota L3940, reference 2200004 mount kit	12	349.00
1025739	Hose Kit – (4) 60" Hoses with couplers, Kioti® DK35SE, reference 2200009 mount kit	10	391.00
1030185	Hose Kit – Power Beyond, Massey Ferguson 1529/1532, reference 2200019 mount kit	7	369.00
1033412	Hose Kit – Case IH Farmall and New Holland Boomer, reference 2200033/2200034 mount kits	6	179.00
1037195	Hose Kit – Case IH Farmall and New Holland Boomer, reference 2200043 mount kit	10	342.00

Prices and specifications subject to change without notice.
 Prices effective January 1, 2021. Supersedes all previous pricing.
 Woods reserves the right to limit quantities and apply surcharges at any time.

Grill Guards – Loader Model LC96

Part No.	Description	Shipping Wt. (lbs.)	Suggested List Price
40988	Grill Guard – John Deere® 870/970/1070, 990 reference W111742 mount kit	43	\$ 149.00
46995	Grill Guard – Ford® & New Holland® 1920, reference 111758 mount kit	30	113.00
58310	Grill Guard – Massey Ferguson®, reference W111741 mount kit	36	222.00
59738	Grill Guard – John Deere, reference W111753/W111754/111776 mount kits	40	222.00
1001044	Grill Guard – Case IH® and Ford & New Holland, reference 2200015 mount kit	30	149.00
1001550	Grill Guard – Case IH and Ford & New Holland, reference W111755 mount kit	24	113.00
1002615	Grill Guard – Kubota®, reference W111739/W111761/111762 mount kits	46	222.00
1004610	Grill Guard – Kubota L4610/MX5000, reference W111769 mount kit	55	222.00
1006322	Grill Guard – Massey Ferguson and AGCO®, reference W111770 mount kit	42	149.00
1006492	Grill Guard – Kubota, reference W111771/W111772/111780/211711/2200004 mount kits	55	222.00
1013288	Grill Guard – AGCO ST34A/ST41A, Challenger® MT265B/MT275B, Massey Ferguson 1529/1532/1533/1540/1635, reference 111787/2200019 mount kits	47	198.00
1013487	Grill Guard – Branson® 2910/3510/3820/4220/4720, reference 111789 mount kit	38	175.00
1014864	Grill Guard – John Deere 4120/4320/4520/4720, reference 211713 mount kit	36	222.00
1019012	Grill Guard – John Deere 3120/3320/3520/3720 & 3203, reference 211716 mount kit	39	334.00
1022113	Grill Guard – Case IH and New Holland, reference 2200013/2200014 mount kits	34	217.00
1025236	Grill Guard – Kioti® DK35SE, reference 2200009 mount kit	39	279.00
1029450	Grill Guard – Kubota L3940, L4240/L4740, reference 2200003/2200004 mount kits	77	383.00
1033415	Grill Guard – Case IH Farmall 30B/35B and New Holland Boomer 30/35, reference 2200033 mount kit	31	179.00
1033425	Grill Guard – Case IH Farmall 40B/50B and New Holland Boomer 40/50, reference 2200034 mount kit	34	179.00
1033670	Grill Guard – Kubota L3200/L3700SU/L3800/L4600, reference 111780/211711 mount kits	61	239.00
1042732	Grill Guard – Case IH Farmall 40C/50C and New Holland Boomer 41/47, reference 2200043 mount kit	23	120.00

COMPACT SERIES LOADERS – MISCELLANEOUS

SECTION 7

Miscellaneous – Loader Model LC96

Part No.	Description	Shipping Wt. (lbs.)	Suggested List Price
1005093	Paint – Case of 12 Spray Cans – Red to match Case IH	13	\$ 173.00
1005095	Paint – Case of 12 Spray Cans – Blue to match New Holland Vibrant Blue	13	173.00
1005096	Paint – Case of 12 Spray Cans – Blue to match New Holland Ford Blue	13	173.00
1005097	Paint – Case of 12 Spray Cans – Orange to match Kubota	13	173.00
1005098	Paint – Case of 12 Spray Cans – Red to match Massey Ferguson	13	173.00

Prices and specifications subject to change without notice.
 Prices effective January 1, 2021. Supersedes all previous pricing.
 Woods reserves the right to limit quantities and apply surcharges at any time.

Tractor Notes – Loader Model LC96

1. Mount fits with OEM auxiliary valve – OEM auxiliary valve required Woods® hose kit 1023613.
2. Fits with Super Steer® front axle.
3. If tractor is equipped with John Deere® BM18010 rear quick coupler kit, use Woods hose kit 1023542. If tractor is equipped with John Deere Selective Control Valve (SCV), use Woods hose kit 1023616.
4. Tractor must have power steering to use hose kit.
5. Requires John Deere Selective Control Valve (SCV) and Woods hose kit to connect to tractor mid-remote couplers.
6. Grill guard included with mounting kit.
7. Will not fit 3-cylinder tractors with 29 x 12.5 x 15 turf tires.
8. Fits with Woods mower models C360 & C372.
9. L3010 and L3410 only – fits with Kubota® mid-mount mower model RC72-29A.
10. 2-function valve kit 1023511 includes all hoses and fittings to connect to tractor hydraulic system.
11. Requires reinforcement kit 1004750 to fit OEM mower model 914A. Reinforcement kit is NOT compatible with Super Steer front axle.
12. Tractors with Cab must be equipped with OEM loader valve and mid-remote quick couplers. Order hose kit 1023613 to connect.
13. Tractor must be equipped with Kioti® mid-remote cable valve and couplers to use hose kit 1025236.
14. Weight box 1006124 is recommended for tractor stability.
15. Tractor must be equipped with OEM loader valve and mid-remote quick couplers.
16. Tractor must be equipped with OEM loader valve and mid-remote quick couplers. Order hose kit 1033412 to connect.
17. Not compatible with Ag tires. Compatible with industrial and turf tires only.

PRICING DOES NOT INCLUDE
CURRENT SURCHARGE AMOUNT

Prices and specifications subject to change without notice.
Prices effective January 1, 2021. Supersedes all previous pricing.
Woods reserves the right to limit quantities and apply surcharges at any time.

LC102 Features and Specifications

FEATURES:

- Curved loader boom
- Midmount loader boom attachment
- Fast D-Tach loader
- Parking stands – stored in loader boom cross tube
- Bucket rod level indicator
- 4-bar bucket linkage
- Manual tube on the loader boom cross tube
- Optional Quick Attach Coupler System
- Construction bucket
- 2-year warranty

SPECIFICATIONS:

- | | |
|--|---|
| Fits 20 – 35 hp tractors (2WD & FWA) | Breakout at 19.7 inches ahead of bucket pivot pins: 2250 lbs. |
| Lift height: 102 inches | Maximum digging depth: 4 inches |
| Lift cylinders: 1.97 inches; Bucket cylinders: 1.97 inches | Dump angle: 50 degrees |
| Lift capacity at bucket pins: 1650 lbs. | Roll back angle: 35 degrees |
| Lift capacity at 19.7 inches ahead of bucket pivot pins: 1200 lbs. | Reach: 30 inches |
| Breakout at bucket pins: 2950 lbs. | Pivot pins diameter: 1.00 and 1.25 inches |

To Order a Complete Loader Using the Woods® Quick Order System

- Find the tractor brand and model you are attempting to fit in the **Tractor/Loader Adaptability Chart**.
- Select the loader model you wish to price (each model belongs to a Loader Series, i.e., Compact Series).
- Go to the appropriate Loader Model **Quick Order** tab.
- Find the tractor brand / model you are fitting.
- Order loader frame.
- Order Quick Attachment Carrier System and quick attach bucket.
- Order completing kit.

Be sure to refer to the “Notes” column; Tractor Notes are found at the end of each tabbed section in the Loader price pages. Prices for each component are listed in the appropriate component section. If you have any questions, please contact Woods Dealer Services.

EXAMPLE

When ordering a loader to fit a New Holland® tractor, model TC40D ROPS, do the following:

- The New Holland TC40D ROPS tractor is fit by three Woods loader models: LC96, LC102 and LC108. (Reference Tractor/Loader Adaptability Chart.) We are selecting the LC102 model.
- Flip to the LC102 **Quick Order** tab.
- Section 1** – Select tractor brand and model that the LC102 loader is to fit – New Holland TC40D ROPS.
 - Order the loader frame #2210227 (NH Vibrant Blue to match New Holland).
 - Order the bucket #2270066 (66” quick attach bucket).
 - Order Quick Attach Coupler System #2350000.
 - Order the completing kit #2200015D. Completing kit includes loader mount, valve, hose kit and grill guard. List price of complete loader is \$8,735; total weight is 1245 lbs.

Prices and specifications subject to change without notice.
Prices effective January 1, 2021. Supersedes all previous pricing.
Woods reserves the right to limit quantities and apply surcharges at any time.

Unless noted, each "Loader Complete" STANDARD configuration includes loader, bucket, and completing kit (mount, hydraulics and grill guard, if grill guard is available). Any deviation from standard configuration will require ordering components individually.

Quick Order Section – Loader Model LC102

Tractor Brand / Model	Loader Pkg. Type	Fits Tractor Type				Loader Frame Color	Quick Order Part Numbers					Ship Wt. (lbs.)	Suggested List Price	Tractor Notes
		2WD	4WD	ROPS	CAB		LC102 Loader Frame	Bucket Width (in.)	Quick Attach. Coupler	QA Bucket	Completing Kit *			
AGCO®														
ST34A/ST41A	QA		X	X		Black	2210220	66	2350000	2270066	111787D	819	\$ 8,751	
ST35/ST35X/ST40/ST40X (All Non-Hydro Models)	QA	X	X	X		Black	2210220	66	2350000	2270066	111770D	1244	8,763	
BRANSON®														
2910/3510/3820/4220/4720	QA		X	X		Black	2210220	66	2350000	2270066	111789D1	819	8,164	
CASE IH®														
D25/DX25/D29/DX29/DX31/D33/ DX33/DX34	QA	X	X	X		Red	2210222	66	2350000	2270066	2200014D	1225	8,715	11
D25/DX25/D29/DX29/DX31/D33/ DX33/DX34	QA	X	X	X		Red	2210222	66	2350000	2270066	2200014H	819	7,668	1, 11
D35/DX35/D40/DX40/D45/DX45	QA	X	X	X		Red	2210222	66	2350000	2270066	2200015D	1245	8,735	
D35/DX35/D40/DX40/D45/DX45	QA	X	X	X	X	Red	2210222	66	2350000	2270066	2200015H	819	7,598	12
Farmall 30B/35B	QA	X	X	X		Red	2210222	66	2350000	2270066	2200033H	819	7,436	15
Farmall 31/35	QA	X	X	X		Red	2210222	66	2350000	2270066	2200014D	1225	8,715	11
Farmall 31/35	QA	X	X	X		Red	2210222	66	2350000	2270066	2200014H	819	7,668	1, 11
Farmall 40/45/50	QA	X	X	X		Red	2210222	66	2350000	2270066	2200015D	1245	8,735	
Farmall 40/45/50	QA	X	X	X	X	Red	2210222	66	2350000	2270066	2200015H	819	7,598	12
Farmall 40B/50B	QA	X	X	X		Red	2210222	66	2350000	2270066	2200034H	819	7,436	15
Farmall 40C/50C	QA		X	X		Red	2210222	72	2350000	2270072	2200043H	835	8,184	16
CHALLENGER®														
MT265B/MT275B	QA		X	X		Black	2210220	66	2350000	2270066	111787D	819	8,751	
CUB CADET®														
7260/7265/7300/7305	QA	X	X	X		Black	2210220	66	2350000	2270066	111730D	1267	8,448	6, 8
FORD® & NEW HOLLAND®														
1320/1520/1620/1715	QA	X	X	X		Fd-NH Blue	2210223	66	2350000	2270066	111755D1	1222	8,618	11
1530/1630	QA	X	X	X		Fd-NH Blue	2210223	66	2350000	2270066	111755D1	1222	8,618	1, 2, 11
1530/1630	QA	X	X	X		Fd-NH Blue	2210223	66	2350000	2270066	111755H	TBD	7,411	1, 2, 11
1720	QA	X	X	X		Fd-NH Blue	2210223	66	2350000	2270066	111755D1	1222	8,618	
1725/1925	QA	X	X	X		NH Vib Blue	2210227	66	2350000	2270066	111755D1	1222	8,618	1, 11
1725/1925	QA	X	X	X		NH Vib Blue	2210227	66	2350000	2270066	111755H	TBD	7,411	1, 11
1920	QA	X	X	X		Fd-NH Blue	2210223	66	2350000	2270066	111758D1	819	8,621	
Boomer 30/35	QA	X	X	X		NH Vib Blue	2210227	66	2350000	2270066	2200033H	819	7,436	15
Boomer 40/50	QA	X	X	X		NH Vib Blue	2210227	66	2350000	2270066	2200034H	819	7,436	15
Boomer 41/47	QA		X	X		NH Vib Blue	2210227	72	2350000	2270072	2200043H	835	8,184	16
Boomer 3040/3045/3050, 8N	QA	X	X	X	X	NH Vib Blue	2210227	66	2350000	2270066	2200015D	1245	8,735	12
T1530	QA	X	X	X		NH Vib Blue	2210227	66	2350000	2270066	2200015D	1245	8,735	
T2210/T2220 with or without Super Steer	QA	X	X	X		NH Vib Blue	2210227	66	2350000	2270066	2200014D	1225	8,715	11

* Completing Kits that end in D or D* contain mounting kit, Woods Hydraulic Package (2-spool direct control valve and hose kit) and grill guard, if available.
 Completing Kits that end in C1 contain mounting kit, Woods Hydraulic Package (2-spool cable control valve and hose kit) and grill guard, if available.
 Completing Kits that end in H or H* contain mounting kit, 4-hose kit (to connect loader to OEM remote valve) and grill guard, if available.

Prices and specifications subject to change without notice.
 Prices effective January 1, 2021. Supersedes all previous pricing.
 Woods reserves the right to limit quantities and apply surcharges at any time.

Unless noted, each "Loader Complete" STANDARD configuration includes loader, bucket, and completing kit (mount, hydraulics and grill guard, if grill guard is available). Any deviation from standard configuration will require ordering components individually.

Quick Order Section – Loader Model LC102 (Continued)

Tractor Brand / Model	Loader Pkg. Type	Fits Tractor Type				Loader Frame Color	Quick Order Part Numbers					Ship Wt. (lbs.)	Suggested List Price	Tractor Notes
		2WD	4WD	ROPS	CAB		LC102 Loader Frame	Bucket Width (in.)	Quick Attach. Coupler	QA Bucket	Completing Kit *			
FORD® & NEW HOLLAND® (CONTINUED)														
T2210/T2220 with or without Super Steer	QA	X	X	X		NH Vib Blue	2210227	66	2350000	2270066	2200014H	819	\$ 7,668	1, 11
T2310/T2320/T2330 with or without Super Steer	QA	X	X	X		NH Vib Blue	2210227	66	2350000	2270066	2200015D	1245	8,735	
T2310/T2320/T2330 with or without Super Steer	QA	X	X	X	X	NH Vib Blue	2210227	66	2350000	2270066	2200015H	819	7,598	12
TC25/TC25D/TC29/ TC29D/TC29DA/TC31DA/ TC33/TC33D/TC33DA/TC34DA with or without Super Steer	QA	X	X	X		NH Vib Blue	2210227	66	2350000	2270066	2200014D	1225	8,715	11
TC25/TC25D/TC29/ TC29D/TC29DA/TC31DA/ TC33/TC33D/TC33DA/TC34DA with or without Super Steer	QA	X	X	X		NH Vib Blue	2210227	66	2350000	2270066	2200014H	819	7,668	1, 11
TC30/T1510/T1520	QA	X	X	X		NH Vib Blue	2210227	66	2350000	2270066	2200013D	1212	8,577	14
TC35/TC35A/TC35D/TC35DA/ TC40/TC40A/TC40D/TC40DA/ TC45/TC45A/TC45D/TC45DA with or without Super Steer	QA	X	X	X		NH Vib Blue	2210227	66	2350000	2270066	2200015D	1245	8,735	
TC35/TC35A/TC35D/TC35DA/ TC40/TC40A/TC40D/TC40DA/ TC45/TC45A/TC45D/TC45DA with or without Super Steer	QA	X	X	X	X	NH Vib Blue	2210227	66	2350000	2270066	2200015H	819	7,598	12
JOHN DEERE®														
870/970/1070 (Power Steering only)	QA	X	X	X		Green	2210221	66	2350000	2270066	111742D1	819	8,547	3
870/970/1070 (Power Steering only)	QA	X	X	X		Green	2210221	66	2350000	2270066	111742H1	1147	7,410	3
990	QA	X	X	X		Green	2210221	66	2350000	2270066	111742D1	819	8,547	3
990	QA	X	X	X		Green	2210221	66	2350000	2270066	111742H1	1147	7,410	3
3120/3320/3520/3720	QA		X	X		Green	2210221	66	2350000	2270066	211716H	819	7,593	5
3203	QA		X	X		Green	2210221	66	2350000	2270066	211716H	819	7,593	5
4120/4320/4520/4720	QA	X	X	X		Green	2210221	66	2350000	2270066	211713H1	819	7,154	5
4200/4300/4400	QA	X	X	X		Green	2210221	66	2350000	2270066	111754H	819	7,520	5
4210/4310/4410	QA	X	X	X		Green	2210221	66	2350000	2270066	111776H	1130	7,373	5
4500/4510/4600/4610/4700/4710	QA	X	X	X		Green	2210221	66	2350000	2270066	111753H1	819	7,593	5
KIOTI®														
DK35SE	QA		X	X		Orange	2210224	66	2350000	2270066	2200009H	819	8,422	14
KUBOTA®														
L2050/L2350	QA	X	X	X		Orange	2210224	66	2350000	2270066	111762D	819	8,840	4
L2250/L2550/L2850/L3250	QA	X	X	X		Orange	2210224	66	2350000	2270066	111739D1	1275	8,729	
L2500/L2600	QA	X	X	X		Orange	2210224	66	2350000	2270066	111762D	819	8,840	
L2650/L2950/L3450/L3650	QA	X	X	X		Orange	2210224	66	2350000	2270066	111739D1	1275	8,729	
L2800/L3400/ L2800 HST/L3400 HST	QA	X	X	X		Orange	2210224	66	2350000	2270066	111780D	819	8,057	10
L2900/L3300/L3600/L4200	QA	X	X	X		Orange	2210224	66	2350000	2270066	111761D1	1296	9,094	7

* Completing Kits that end in D or D* contain mounting kit, Woods Hydraulic Package (2-spool direct control valve and hose kit) and grill guard, if available.
 Completing Kits that end in C1 contain mounting kit, Woods Hydraulic Package (2-spool cable control valve and hose kit) and grill guard, if available.
 Completing Kits that end in H or H* contain mounting kit, 4-hose kit (to connect loader to OEM remote valve) and grill guard, if available.

Prices and specifications subject to change without notice.
 Prices effective January 1, 2021. Supersedes all previous pricing.
 Woods reserves the right to limit quantities and apply surcharges at any time.

Unless noted, each "Loader Complete" STANDARD configuration includes loader, bucket, and completing kit (mount, hydraulics and grill guard, if grill guard is available). Any deviation from standard configuration will require ordering components individually.

Quick Order Section – Loader Model LC102 (Continued)

Tractor Brand / Model	Loader Pkg. Type	Fits Tractor Type				Loader Frame Color	Quick Order Part Numbers					Ship Wt. (lbs.)	Suggested List Price	Tractor Notes
		2WD	4WD	ROPS	CAB		LC102 Loader Frame	Bucket Width (in.)	Quick Attach. Coupler	QA Bucket	Completing Kit *			
KUBOTA® (CONTINUED)														
L2900/L3300/L3600/L4200	QA	X	X		X	Orange	2210224	66	2350000	2270066	111761C1	819	\$ 9,389	7
L3010/L3410/L3710/L4310	QA	X	X	X		Orange	2210224	66	2350000	2270066	111761D1	1296	9,094	7, 9
L3010/L3410/L3710/L4310	QA	X	X		X	Orange	2210224	66	2350000	2270066	111761C1	819	9,389	7, 9
L3130/L3430/L3830	QA	X	X	X		Orange	2210224	66	2350000	2270066	111771D1	819	8,247	10
L3200/L3800	QA	X	X	X		Orange	2210224	66	2350000	2270066	111780D1	819	8,075	
L3240/L3540	QA	X	X	X	X	Orange	2210224	66	2350000	2270066	2200004H	1128	7,099	
L3430	QA	X	X		X	Orange	2210224	66	2350000	2270066	111771C1	TBD	8,908	
L3700SU	QA	X	X	X		Orange	2210224	66	2350000	2270066	111780D1	819	8,075	
L3940	QA	X	X	X	X	Orange	2210224	66	2350000	2270066	2200004H2	1128	TBD	
L4240/L4740	QA		X	X	X	Orange	2210224	66	2350000	2270066	2200003H2	1252	7,518	
L4330/L4630/L5030	QA	X	X	X		Orange	2210224	66	2350000	2270066	111772D1	819	8,247	10
L4330/L4630/L5030	QA	X	X		X	Orange	2210224	66	2350000	2270066	111772C1	819	8,908	
L4400	QA	X	X	X		Orange	2210224	66	2350000	2270066	211711D1	1198	8,247	10
L4600	QA	X	X	X		Orange	2210224	66	2350000	2270066	211711D2	TBD	8,263	10
L4610	QA	X	X	X		Orange	2210224	66	2350000	2270066	111769D1	1276	8,729	
L4610	QA	X	X		X	Orange	2210224	66	2350000	2270066	111769C1	819	9,018	
MX5000	QA	X	X	X		Orange	2210224	66	2350000	2270066	111769D1	1276	8,729	
MAHINDRA®														
2615/3015	QA	X	X	X		Red	2210230	66	2350000	2270066	111730D	1267	8,448	
MASSEY FERGUSON®														
1125/1140/1145	QA	X	X	X		Red	2210226	66	2350000	2270066	111741D	819	8,732	
1240	QA	X	X	X		Red	2210226	66	2350000	2270066	111741D	819	8,732	
1250/1260 (Prior To SN "G")	QA	X	X	X		Red	2210226	66	2350000	2270066	111741D	819	8,732	
1250/1260 (SN "G" & Later)	QA	X	X	X		Red	2210226	66	2350000	2270066	111741D1	TBD	8,605	
1429/1433/1433V/1440/1440V (Non-Hydrostat versions)	QA	X	X	X		Red	2210226	66	2350000	2270066	111770D	1244	8,763	
1529/1532	QA		X	X		Red	2210226	66	2350000	2270066	2200019D	TBD	8,851	
1533/1540	QA		X	X		Red	2210226	66	2350000	2270066	111787D	819	8,751	
1635	QA		X	X		Red	2210226	66	2350000	2270066	111787D	819	8,751	

* Completing Kits that end in D or D* contain mounting kit, Woods Hydraulic Package (2-spool direct control valve and hose kit) and grill guard, if available.
 Completing Kits that end in C1 contain mounting kit, Woods Hydraulic Package (2-spool cable control valve and hose kit) and grill guard, if available.
 Completing Kits that end in H or H* contain mounting kit, 4-hose kit (to connect loader to OEM remote valve) and grill guard, if available.

Prices and specifications subject to change without notice.
 Prices effective January 1, 2021. Supersedes all previous pricing.
 Woods reserves the right to limit quantities and apply surcharges at any time.

Unless noted, Completing Kits include Mount Kit, Woods® Hydraulic Package (or 4-Hose Kit for tractor remotes) and Grill Guard.

Completing Kits – Loader Model LC102

Tractor Brand / Model	Fits Tractor Type				Completing Kit Part No. **	Mount Kit	Woods Hydraulic Package		OR	4-Hose Kit	Grill Guard	Ship Wt. (lbs.)	Suggested List Price	Notes
	2WD	4WD	ROPS	CAB			Connects to OEM Valve or Remotes	2-Spool Valve Kit		Hoses for Loader Valve				
AGCO®														
ST34A/ST41A		X	X		111787D	111787	1023509	1023604		N/A	1013288	0	\$ 3,064	
ST35/ST35X/ST40/ST40X (All Non-Hydro Models)	X	X	X		111770D	W111770	1023509	1023605		N/A	1006322	425	3,076	
BRANSON®														
2910/3510/3820/4220/4720		X	X		111789D1	111789	1023800	1023528		N/A	1013487	0	2,477	
CASE IH®														
D25/DX25/D29/DX29/DX31/D33/ DX33/DX34	X	X	X		2200014D	2200014	1023509	1023531		A	1022113	406	3,028	11
D25/DX25/D29/DX29/DX31/D33/ DX33/DX34	X	X	X		2200014H	2200014	A	A		1023613	1022113	0	1,981	1, 11
D35/DX35/D40/DX40/D45/DX45	X	X	X		2200015D	2200015	1023509	1023529		A	1001044	426	3,048	
D35/DX35/D40/DX40/D45/DX45	X	X	X	X	2200015H	2200015	A	A		1023613	1001044	0	1,911	12
Farmall 30B/35B	X	X	X		2200033H	2200033	N/A	N/A		1033412	1033415	0	1,749	15
Farmall 31/35	X	X	X		2200014D	2200014	1023509	1023531		A	1022113	406	3,028	11
Farmall 31/35	X	X	X		2200014H	2200014	A	A		1023613	1022113	0	1,981	1, 11
Farmall 40/45/50	X	X	X		2200015D	2200015	1023509	1023529		A	1001044	426	3,048	
Farmall 40/45/50	X	X	X	X	2200015H	2200015	A	A		1023613	1001044	0	1,911	12
Farmall 40B/50B	X	X	X		2200034H	2200034	N/A	N/A		1033412	1033425	0	1,749	15
Farmall 40C/50C		X	X		2200043H	2200043	N/A	N/A		1037195	1042732	0	2,426	16
CHALLENGER®														
MT265B/MT275B		X	X		111787D	111787	1023509	1023604		N/A	1013288	0	3,064	
CUB CADET®														
7260/7265/7300/7305	X	X	X		111730D	W111730	1023509	1023610		N/A	w/mount	448	2,761	6, 8
FORD® & NEW HOLLAND®														
1320/1520/1620/1715	X	X	X		111755D1	W111755	1023509	1023535		N/A	1001550	403	2,931	11
1530/1630	X	X	X		111755D1	W111755	1023509	1023535		A	1001550	403	2,931	1, 2, 11
1530/1630	X	X	X		111755H	W111755	A	A		1023613	1001550	TBD	1,724	1, 2, 11
1720	X	X	X		111755D1	W111755	1023509	1023535		N/A	1001550	403	2,931	
1725/1925	X	X	X		111755D1	W111755	1023509	1023535		A	1001550	403	2,931	1, 11
1725/1925	X	X	X		111755H	W111755	A	A		1023613	1001550	TBD	1,724	1, 11
1920	X	X	X		111758D1	111758	1023509	1023529		N/A	46995	0	2,934	
Boomer 30/35	X	X	X		2200033H	2200033	N/A	N/A		1033412	1033415	0	1,749	15
Boomer 40/50	X	X	X		2200034H	2200034	N/A	N/A		1033412	1033425	0	1,749	15
Boomer 41/47		X	X		2200043H	2200043	N/A	N/A		1037195	1042732	0	2,426	16

** Completing Kits that end in D or D* contain mounting kit, Woods Hydraulic Package (2-spool direct control valve and hose kit) and grill guard, if available.
 Completing Kits that end in C1 contain mounting kit, Woods Hydraulic Package (2-spool cable control valve and hose kit) and grill guard, if available.
 Completing Kits that end in H or H* contain mounting kit, 4-hose kit (to connect loader to OEM remote valve) and grill guard, if available.

A = Available

N/A = Not Available

Prices and specifications subject to change without notice.
 Prices effective January 1, 2021. Supersedes all previous pricing.
 Woods reserves the right to limit quantities and apply surcharges at any time.

Unless noted, Completing Kits include Mount Kit, Woods® Hydraulic Package (or 4-Hose Kit for tractor remotes) and Grill Guard.

Completing Kits – Loader Model LC102 (Continued)

Tractor Brand / Model	Fits Tractor Type				Completing Kit Part No. **	Mount Kit	Woods Hydraulic Package		OR	4-Hose Kit Connects to OEM Valve or Remotes	Grill Guard	Ship Wt. (lbs.)	Suggested List Price	Notes
	2WD	4WD	ROPS	CAB			2-Spool Valve Kit	Hoses for Loader Valve						
FORD® & NEW HOLLAND® (Continued)														
Boomer 3040/3045/3050, 8N	X	X	X	X	2200015D	2200015	1023509	1023529		A	1001044	426	\$ 3,048	12
T1530	X	X	X		2200015D	2200015	1023509	1023529		A	1001044	426	3,048	
T2210/T2220 with or without Super Steer	X	X	X		2200014D	2200014	1023509	1023531		A	1022113	406	3,028	11
T2210/T2220 with or without Super Steer	X	X	X		2200014H	2200014	A	A		1023613	1022113	0	1,981	1, 11
T2310/T2320/T2330 with or without Super Steer	X	X	X		2200015D	2200015	1023509	1023529		A	1001044	426	3,048	
T2310/T2320/T2330 with or without Super Steer	X	X	X	X	2200015H	2200015	A	A		1023613	1001044	0	1,911	12
TC25/TC25D/TC29/TC29D/TC29DA/TC31DA/TC33/TC33D/TC33DA/TC34DA with or without Super Steer	X	X	X		2200014D	2200014	1023509	1023531		A	1022113	406	3,028	11
TC25/TC25D/TC29/TC29D/TC29DA/TC31DA/TC33/TC33D/TC33DA/TC34DA with or without Super Steer	X	X	X		2200014H	2200014	A	A		1023613	1022113	0	1,981	1, 11
TC30/T1510/T1520	X	X	X		2200013D	2200013	1023509	1022118		N/A	1022113	393	2,890	14
TC35/TC35A/TC35D/TC35DA/TC40/TC40A/TC40D/TC40DA/TC45/TC45A/TC45D/TC45DA with or without Super Steer	X	X	X		2200015D	2200015	1023509	1023529		A	1001044	426	3,048	
TC35/TC35A/TC35D/TC35DA/TC40/TC40A/TC40D/TC40DA/TC45/TC45A/TC45D/TC45DA with or without Super Steer	X	X	X	X	2200015H	2200015	A	A		1023613	1001044	0	1,911	12
JOHN DEERE®														
870/970/1070 (Power Steering only)	X	X	X		111742D1	W111742	1023509	1023542		A	40988	0	2,860	3
870/970/1070 (Power Steering only)	X	X	X		111742H1	W111742	A	A		1023616	40988	328	1,723	3
990	X	X	X		111742D1	W111742	1023509	1023542		A	40988	0	2,860	3
990	X	X	X		111742H1	W111742	A	A		1023616	40988	328	1,723	3
3120/3320/3520/3720		X	X		211716H	211716	N/A	N/A		1023628	1019012	0	1,906	5
3203		X	X		211716H	211716	N/A	N/A		1023628	1019012	0	1,906	5
4120/4320/4520/4720	X	X	X		211713H1	211713	N/A	N/A		1023615	1014864	0	1,467	5
4200/4300/4400	X	X	X		111754H	W111754	N/A	N/A		1023615	59738	0	1,833	5
4210/4310/4410	X	X	X		111776H	111776	N/A	N/A		1023615	59738	311	1,686	5
4500/4510/4600/4610/4700/4710	X	X	X		111753H1	W111753	N/A	N/A		1023615	59738	0	1,906	5
KIOTI®														
DK35SE		X	X		2200009H	2200009	N/A	N/A		1025739	1025236	0	2,735	14
KUBOTA®														
L2050/L2350	X	X	X		111762D	111762	1023509	1023620		N/A	1002615	0	3,153	4
L2250/L2550/L2850/L3250	X	X	X		111739D1	W111739	1023509	1023549		N/A	1002615	456	3,042	

** Completing Kits that end in D or D* contain mounting kit, Woods Hydraulic Package (2-spool direct control valve and hose kit) and grill guard, if available.
 Completing Kits that end in C1 contain mounting kit, Woods Hydraulic Package (2-spool cable control valve and hose kit) and grill guard, if available.
 Completing Kits that end in H or H* contain mounting kit, 4-hose kit (to connect loader to OEM remote valve) and grill guard, if available.
 A = Available
 N/A = Not Available

Prices and specifications subject to change without notice.
 Prices effective January 1, 2021. Supersedes all previous pricing.
 Woods reserves the right to limit quantities and apply surcharges at any time.

Unless noted, Completing Kits include Mount Kit, Woods® Hydraulic Package (or 4-Hose Kit for tractor remotes) and Grill Guard.

Completing Kits – Loader Model LC102 (Continued)

Tractor Brand / Model	Fits Tractor Type				Completing Kit Part No. **	Mount Kit	Woods Hydraulic Package		OR	4-Hose Kit	Grill Guard	Ship Wt. (lbs.)	Suggested List Price	Notes
	2WD	4WD	ROPS	CAB			Connects to OEM Valve or Remotes	2-Spool Valve Kit		Hoses for Loader Valve				
KUBOTA® (Continued)														
L2500/L2600	X	X	X		111762D	111762	1023509	1023620		N/A	1002615	0	\$ 3,153	
L2650/L2950/L3450/L3650	X	X	X		111739D1	W111739	1023509	1023549		N/A	1002615	456	3,042	
L2800/L3400/L2800 HST/L3400 HST	X	X	X		111780D	111780	1023511	included w/valve		N/A	1006492	0	2,370	10
L2900/L3300/L3600/L4200	X	X	X		111761D1	W111761	1023509	1023535		N/A	1002615	477	3,407	7
L2900/L3300/L3600/L4200	X	X		X	111761C1	W111761	1023510	1023545		N/A	1002615	0	3,702	7
L3010/L3410/L3710/L4310	X	X	X		111761D1	W111761	1023509	1023535		N/A	1002615	477	3,407	7, 9
L3010/L3410/L3710/L4310	X	X		X	111761C1	W111761	1023510	1023545		N/A	1002615	0	3,702	7, 9
L3130/L3430/L3830	X	X	X		111771D1	W111771	1023511	included w/valve		N/A	1006492	0	2,560	10
L3200/L3800	X	X	X		111780D1	111780	1023511	included w/valve		N/A	1033670	0	2,388	
L3240/L3540	X	X	X	X	2200004H	2200004	N/A	N/A	1023627	1006492	309	1,412		
L3430	X	X		X	111771C1	W111771	1023510	1023550		N/A	1006492	TBD	3,221	
L3700SU	X	X	X		111780D1	111780	1023511	included w/valve		N/A	1033670	0	2,388	
L3940	X	X	X	X	2200004H2	2200004	N/A	N/A	W1023996	1029450	309	TBD		
L4240/L4740		X	X	X	2200003H2	2200003	N/A	N/A	1023627	1029450	433	1,831		
L4330/L4630/L5030	X	X	X		111772D1	W111772	1023511	included w/valve		N/A	1006492	0	2,560	10
L4330/L4630/L5030	X	X		X	111772C1	W111772	1023510	1023550		N/A	1006492	0	3,221	
L4400	X	X	X		211711D1	211711	1023511	included w/valve		N/A	1006492	379	2,560	10
L4600	X	X	X		211711D2	211711	1023511	included w/valve		N/A	1033670	TBD	2,576	10
L4610	X	X	X		111769D1	W111769	1023509	1023535		N/A	1004610	457	3,042	
L4610	X	X		X	111769C1	W111769	1023510	1023545		N/A	1004610	0	3,331	
MX5000	X	X	X		111769D1	W111769	1023509	1023535		N/A	1004610	457	3,042	
MAHINDRA®														
2615/3015	X	X	X		111730D	W111730	1023509	1023610		N/A	w/mount	448	2,761	
MASSEY FERGUSON®														
1125/1140/1145	X	X	X		111741D	W111741	1023509	1023622		N/A	58310	0	3,045	
1240	X	X	X		111741D	W111741	1023509	1023622		N/A	58310	0	3,045	
1250/1260 (Prior to SN "G")	X	X	X		111741D	W111741	1023509	1023622		N/A	58310	0	3,045	
1250/1260 (SN "G" & Later)	X	X	X		111741D1	W111741	1023509	1023623		N/A	58310	TBD	2,918	
1429/1433/1433V/1440/1440V (Non-Hydrostat versions)	X	X	X		111770D	W111770	1023509	1023624		N/A	1006322	425	3,076	
1529/1532		X	X		2200019D	2200019	1023509	1030185		N/A	1013288	TBD	3,164	
1533/1540		X	X		111787D	111787	1023509	1023604		N/A	1013288	0	3,064	
1635		X	X		111787D	111787	1023509	1023604		N/A	1013288	0	3,064	

** Completing Kits that end in D or D* contain mounting kit, Woods Hydraulic Package (2-spool direct control valve and hose kit) and grill guard, if available.
 Completing Kits that end in C1 contain mounting kit, Woods Hydraulic Package (2-spool cable control valve and hose kit) and grill guard, if available.
 Completing Kits that end in H or H* contain mounting kit, 4-hose kit (to connect loader to OEM remote valve) and grill guard, if available.
 A = Available
 N/A = Not Available

Prices and specifications subject to change without notice.
 Prices effective January 1, 2021. Supersedes all previous pricing.
 Woods reserves the right to limit quantities and apply surcharges at any time.

Miscellaneous – Loader Model LC102

Part No.	Description	Shipping Wt. (lbs.)	Suggested List Price
1005093	Paint – Case of 12 Spray Cans – Red to match Case IH®	13	\$ 173.00
1005095	Paint – Case of 12 Spray Cans – Blue to match New Holland® Vibrant Blue	13	173.00
1005096	Paint – Case of 12 Spray Cans – Blue to match New Holland Ford® Blue	13	173.00
1005097	Paint – Case of 12 Spray Cans – Orange to match Kubota®	13	173.00
1005098	Paint – Case of 12 Spray Cans – Red to match Massey Ferguson®	13	173.00

COMPACT SERIES LOADERS – TRACTOR NOTES

SECTION 4

Tractor Notes – Loader Model LC102

1. Mount fits with OEM auxiliary valve – OEM auxiliary valve required Woods® hose kit 1023613.
2. Fits with Super Steer® front axle.
3. If tractor is equipped with John Deere® BM18010 rear quick coupler kit, use Woods hose kit 1023542. If tractor is equipped with John Deere Selective Control Valve (SCV), use Woods hose kit 1023616.
4. Tractor must have power steering to use hose kit.
5. Requires John Deere Selective Control Valve (SCV) and Woods hose kit to connect to tractor mid-remote couplers.
6. Grill guard included with mounting kit.
7. Will not fit 3-cylinder tractors with 29 x 12.5 x 15 turf tires.
8. Fits with Woods mower models C360 & C372.
9. L3010 and L3410 only – fits with Kubota mid-mount mower model RC72-29A.
10. 2-function valve kit 1023511 includes all hoses and fittings to connect to tractor hydraulic system.
11. Requires reinforcement kit 1004750 to fit OEM mower model 914A. Reinforcement kit is NOT compatible with Super Steer front axle.
12. Tractors with Cab must be equipped with OEM loader valve and mid-remote quick couplers. Order hose kit 1023613 to connect.
13. Tractor must be equipped with Kioti® mid-remote cable valve and couplers to use hose kit 1025236.
14. Weight box 1006124 is recommended for tractor stability.
15. Tractor must be equipped with OEM loader valve and mid-remote quick couplers. Order hose kit 1033412 to connect.
16. Tractor must be equipped with OEM loader valve and mid-remote quick couplers.

Prices and specifications subject to change without notice.
 Prices effective January 1, 2021. Supersedes all previous pricing.
 Woods reserves the right to limit quantities and apply surcharges at any time.

LC102 Features and Specifications

FEATURES:

- Curved loader boom
- Midmount loader boom attachment
- Fast D-Tach loader
- Parking stands – stored in loader boom cross tube
- Bucket rod level indicator
- 4-bar bucket linkage
- Manual tube on the loader boom cross tube
- Optional Quick Attach Coupler System
- Construction bucket
- 2-year warranty

SPECIFICATIONS:

- | | |
|--|---|
| Fits 20 – 35 hp tractors (2WD & FWA) | Breakout at 19.7 inches ahead of bucket pivot pins: 2250 lbs. |
| Lift height: 102 inches | Maximum digging depth: 4 inches |
| Lift cylinders: 1.97 inches; Bucket cylinders: 1.97 inches | Dump angle: 50 degrees |
| Lift capacity at bucket pins: 1650 lbs. | Roll back angle: 35 degrees |
| Lift capacity at 19.7 inches ahead of bucket pivot pins: 1200 lbs. | Reach: 30 inches |
| Breakout at bucket pins: 2950 lbs. | Pivot pins diameter: 1.00 and 1.25 inches |

To Order a Complete Loader by Ordering Individual Components

- Find the tractor brand and model you are attempting to fit in the **Tractor/Loader Adaptability Chart**.
- Select the loader model you wish to price (each model belongs to a Loader Series, i.e., Compact Series).
- Go to the appropriate Loader Model **Component Order** tab.
- Find the tractor brand / model you are fitting in the **Tractor Reference** section – part numbers needed to configure a loader are listed (except loader frame and bucket).
- Order loader frame.
- Order front-end attachment(s).
- Order mounting kit.
- Order valve kit.
- Order hose kit OR 4-hose kit to connect to OEM remote valve.
- Order grill guard.

Be sure to refer to the “Notes” column; Tractor Notes are found at the end of each tabbed section in the Loader price pages. Prices for each component are listed in the appropriate component section. If you have any questions, please contact Woods® Dealer Services.

EXAMPLE:

When ordering a loader to fit a Kubota® tractor, model L3430 ROPS, do the following:

- The Kubota L3430 ROPS tractor is fit by three Woods loader models: LC96, LC102 and LC108. (Reference Tractor/Loader Adaptability Chart.) We are selecting the LC102 model.
- Flip to the LC102 **Components** tab and go to the Tractor Reference Chart for components to order to complete the LC102 Loader.
 - Section 1** – Order the loader frame #2210224 (Orange to match Kubota).
 - Section 2** – Order the bucket #2270066 (66” quick attach bucket) and the Quick Attach Coupler System. Other front end attachments may be ordered within this section.
 - Section 3** – Order the mounting kit #W111771.
 - Section 4** – Order the valve kit #1023511.
 - Section 5** – Order the hose kit # (included with valve) OR the 4-hose kit # (N/A).
 - Section 6** – Order grill guard #1006492.

Prices and specifications subject to change without notice.
Prices effective January 1, 2021. Supersedes all previous pricing.
Woods reserves the right to limit quantities and apply surcharges at any time.

COMPACT SERIES LOADERS – MODEL LC102 TRACTOR REFERENCE CHART

Tractor Brand / Model	Fits Tractor Type				Mount Kit	Hydraulic Package		4-Hose Kit Connects to OEM Valve	Grill Guard	OEM Mid-Mower Compat.	Tractor Notes
	2WD	4WD	ROPS	CAB		2-Spool Valve Kit	Hoses for Loader Valve				
AGCO®											
ST34A/ST41A		X	X		111787	1023509	1023604	N/A	1013288	SM72A	
ST35/ST35X/ST40/ST40X (All Non-Hydro Models)	X	X	X		W111770	1023509	1023605	N/A	1006322	SM72A	
BRANSON®											
2910/3510/3820/4220/4720		X	X		111789	1023800	1023528	N/A	1013487		
CASE IH®											
D25/DX25/D29/DX29/DX31/D33/DX33/DX34	X	X	X		2200014	1023509	1023531	1023613	1022113		1, 11
D35/DX35/D40/DX40/D45/DX45	X	X	X	X	2200015	1023509	1023529	1023613	1001044		12
Farmall 30B/35B	X	X	X		2200033	N/A	N/A	1033412	1033415		15
Farmall 31/35	X	X	X		2200014	1023509	1023531	1023613	1022113		1, 11
Farmall 40/45/50	X	X	X	X	2200015	1023509	1023529	1023613	1001044		12
Farmall 40B/50B	X	X	X		2200034	N/A	N/A	1033412	1033425		15
Farmall 40C/50C		X	X		2200043	N/A	N/A	1037195	1042732		16
CHALLENGER®											
MT265B/MT275B		X	X		111787	1023509	1023604		1013288	72"	
CUB CADET®											
7260/7265/7300/7305	X	X	X		W111730	1023509	1023610	N/A	w/mount	401/404	6, 8
FORD® & NEW HOLLAND®											
1320/1520/1620/1715	X	X	X		W111755	1023509	1023535	N/A	1001550	914A	11
1530/1630	X	X	X		W111755	1023509	1023535	1023613	1001550		1, 2, 11
1720	X	X	X		W111755	1023509	1023535	N/A	1001550		
1725/1925	X	X	X		W111755	1023509	1023535	1023613	1001550		1, 11
1920	X	X	X		111758	1023509	1023529	N/A	46995		
Boomer 30/35	X	X	X		2200033	N/A	N/A	1033412	1033415		15
Boomer 40/50	X	X	X		2200034	N/A	N/A	1033412	1033425		15
Boomer 41/47		X	X		2200043	N/A	N/A	1037195	1042732		16
Boomer 3040/3045/3050, 8N	X	X	X	X	2200015	1023509	1023529	1023613	1001044		12
T1530	X	X	X		2200015	1023509	1023529	1023613	1001044		
T2210/T2220 with or without Super Steer	X	X	X		2200014	1023509	1023531	1023613	1022113		1, 11
T2310/T2320/T2330 with or without Super Steer	X	X	X	X	2200015	1023509	1023529	1023613	1001044		12
TC25/TC25D/TC29/TC29D/TC29DA/ TC31DA/TC33/TC33D/TC33DA/TC34DA with or without Super Steer	X	X	X		2200014	1023509	1023531	1023613	1022113		1, 11
TC30/T1510/T1520	X	X	X		2200013	1023509	1022118	N/A	1022113		14
TC35/TC35A/TC35D/TC35DA/TC40/TC40A/ TC40D/TC40DA/TC45/TC45A/TC45D/TC45DA with or without Super Steer	X	X	X	X	2200015	1023509	1023529	1023613	1001044		12

Tractor Reference Chart continued on next page.

Note: If listed, 4-hose kit for use with tractor remotes may be ordered instead of Woods® valve and hose kit for loader valve.

N/A = Not Available

Prices and specifications subject to change without notice.
 Prices effective January 1, 2021. Supersedes all previous pricing.
 Woods reserves the right to limit quantities and apply surcharges at any time.

COMPACT SERIES LOADERS – MODEL LC102 TRACTOR REFERENCE CHART (Continued)

Tractor Brand / Model	Fits Tractor Type				Mount Kit	Hydraulic Package			4-Hose Kit	Grill Guard	OEM Mid-Mower Compat.	Tractor Notes
	2WD	4WD	ROPS	CAB		2-Spool Valve Kit	Hoses for Loader Valve	OR				
JOHN DEERE®												
870/970/1070 (Power Steering only)	X	X	X		W111742	1023509	1023542		1023616	40988		3
990	X	X	X		W111742	1023509	1023542		1023616	40988		3
3120/3320/3520/3720		X	X		211716	N/A	N/A		1023628	1019012		5
3203		X	X		211716	N/A	N/A		1023628	1019012		5
4120/4320/4520/4720	X	X	X		211713	N/A	N/A		1023615	1014864		5
4200/4300/4400	X	X	X		W111754	N/A	N/A		1023615	59738		5
4210/4310/4410	X	X	X		111776	N/A	N/A		1023615	59738		5
4500/4510/4600/4610/4700/4710	X	X	X		W111753	N/A	N/A		1023615	59738		5
KIOTI®												
DK35SE		X	X		2200009	N/A	N/A		1025739	1025236		13
KUBOTA®												
L2050/L2350	X	X	X		111762	1023509	1023620		N/A	1002615		4
L2250/L2550/L2850/L3250	X	X	X		W111739	1023509	1023549		N/A	1002615		
L2500/L2600	X	X	X		111762	1023509	1023620		N/A	1002615		
L2650/L2950/L3450/L3650	X	X	X		W111739	1023509	1023549		N/A	1002615		
L2800/L3400/L2800 HST/L3400 HST	X	X	X		111780	1023511	included w/valve		N/A	1006492		10
L2900/L3300/L3600/L4200	X	X	X		W111761	1023509	1023535		N/A	1002615		7
L2900/L3300/L3600/L4200	X	X		X	W111761	1023510	1023545		N/A	1002615		7
L3010/L3410/L3710/L4310	X	X	X		W111761	1023509	1023535		N/A	1002615	RC72-29A	7, 9
L3010/L3410/L3710/L4310	X	X		X	W111761	1023510	1023545		N/A	1002615	RC72-29A	7, 9
L3130/L3430/L3830	X	X	X		W111771	1023511	included w/valve		N/A	1006492		10
L3200/L3800	X	X	X		111780	1023511	included w/valve		N/A	1033670		
L3240/L3540	X	X	X	X	2200004	N/A	N/A		1023627	1006492	RC72-38	
L3430	X	X		X	W111771	1023510	1023550		N/A	1006492		
L3700SU	X	X	X		111780	1023511	included w/valve		N/A	1033670		
L3940	X	X	X	X	2200004	N/A	N/A		W1023996	1029450	RC72-38	
L4240/L4740		X	X	X	2200003	N/A	N/A		1023627	1029450		
L4330/L4630/L5030	X	X	X		W111772	1023511	included w/valve		N/A	1006492		10
L4330/L4630/L5030	X	X		X	W111772	1023510	1023550		N/A	1006492		
L4400	X	X	X		211711	1023511	included w/valve		N/A	1006492		10
L4600	X	X	X		211711	1023511	included w/valve		N/A	1033670		10
L4610	X	X	X		W111769	1023509	1023535		N/A	1004610		
L4610	X	X		X	W111769	1023510	1023545		N/A	1004610		
MX5000	X	X	X		W111769	1023509	1023535		N/A	1004610		

Tractor Reference Chart continued on next page.

Note: If listed, 4-hose kit for use with tractor remotes may be ordered instead of Woods® valve and hose kit for loader valve.

N/A = Not Available

Prices and specifications subject to change without notice.
 Prices effective January 1, 2021. Supersedes all previous pricing.
 Woods reserves the right to limit quantities and apply surcharges at any time.

COMPACT SERIES LOADERS – MODEL LC102 TRACTOR REFERENCE CHART (Continued)

Tractor Brand / Model	Fits Tractor Type				Mount Kit	Hydraulic Package		4-Hose Kit	Grill Guard	OEM Mid-Mower Compat.	Tractor Notes
	2WD	4WD	ROPS	CAB		2-Spool Valve Kit	Hoses for Loader Valve				
MAHINDRA®											
2615/3015	X	X	X		W111730	1023509	1023610		N/A	w/mount	
MASSEY FERGUSON®											
1125/1140/1145	X	X	X		W111741	1023509	1023622		N/A	58310	
1240	X	X	X		W111741	1023509	1023622		N/A	58310	
1250/1260 (Prior TO SN "G")	X	X	X		W111741	1023509	1023622		N/A	58310	
1250/1260 (SN "G" & Later)	X	X	X		W111741	1023509	1023623		N/A	58310	
1429/1433/1433V/1440/1440V (Non-Hydrostat versions)	X	X	X		W111770	1023509	1023624		N/A	1006322	
1529/1532		X	X		2200019	1023509	1030185		N/A	1013288	
1533/1540		X	X		111787	1023509	1023604		N/A	1013288	
1635		X	X		111787	1023509	1023604		N/A	1013288	

Note: If listed, 4-hose kit for use with tractor remotes may be ordered instead of Woods® valve and hose kit for loader valve.

N/A = Not Available

PRICING DOES NOT INCLUDE CURRENT SURCHARGE AMOUNT

Prices and specifications subject to change without notice.
 Prices effective January 1, 2021. Supersedes all previous pricing.
 Woods reserves the right to limit quantities and apply surcharges at any time.

Frames – Loader Model LC102

Part No.	Description	Shipping Wt. (lbs.)	Suggested List Price
2210220	Black (Universal)	477	\$ 3,943.00
2210221	Green to match John Deere®	477	3,943.00
2210222	Red to match Case IH®	477	3,943.00
2210223	Blue to match Ford® & New Holland®	477	3,943.00
2210224	Orange to match Kubota®	477	3,943.00
2210226	Red to match Massey Ferguson®	477	3,943.00
2210227	Vibrant Blue to match New Holland®	477	3,943.00
2210230	Red to match Mahindra®	477	3,943.00

COMPACT SERIES LOADERS – BUCKETS & FRONT-END ATTACHMENTS

SECTION 2

Buckets & Front End Attachments – Loader Model LC102

OPTIONAL BUCKETS – Compatible with Quick Attach Coupler System

Part No.	Width (in.)	Description	Capacity	Shipping Wt. (lbs.)	Suggested List Price	Qty. of 5 List Price *
2270066	66	Heavy-Duty Loader Bucket – Skid Steer Quick Attach	12.8 cu. ft.	258	\$ 1,064.00	—
2270072	72	Heavy-Duty Loader Bucket – Skid Steer Quick Attach	14.0 cu. ft.	274	1,135.00	—

Note: Loader buckets are punched for optional Bolt-on Cutting Edges.

OPTIONAL QUICK ATTACH COUPLER SYSTEM

2350000		Skid Steer (ISO 24410) Quick Attach Coupler System		84	\$ 680.00	—
---------	--	--	--	----	-----------	---

OPTIONAL BOLT-ON EDGES, TOOTHBARS AND TINE KIT

46383	66	Bolt-On Edge for 66" Buckets, includes hardware		50	\$ 175.00	—
46384	72	Bolt-On Edge for 72" Buckets, includes hardware		55	195.00	—
CETB655	65.25	Toothbar for 66" Buckets, includes hardware		77	511.00	—
CETB715	71.25	Toothbar for 72" Buckets, includes hardware		80	511.00	—
46380		Tine Kit for 66" Buckets, includes hardware (Must drill holes in bucket)		33	149.00	—

SKID STEER (ISO 24410) QUICK ATTACH SYSTEM COMPATIBLE ATTACHMENTS

1037170		BS3044S – Single Bale Spear with 2 Stabilizer Spikes	3000 lbs.	201	\$ 695.00	\$ 626.00
1037171		BS6044S – Double Bale Spear	6000 lbs.	223	845.00	761.00
1045980		PFW2242S – Pallet Fork with 42" Tines, Walk-thru Frame	2200 lbs.	328	1,056.00	950.00
1042551		PFW4442S – Pallet Fork with 42" Tines, Walk-thru Frame	4400 lbs.	380	1,147.00	1,032.00
1042552		PFW4448S – Pallet Fork with 48" Tines, Walk-thru Frame	4400 lbs.	380	1,165.00	1,049.00
1045940		PF4448S – Pallet Fork with 48" Tines, Full Frame	4400 lbs.	436	1,193.00	1,074.00

* Order 5+ units in any combination of bale spears or any combination of pallet forks to receive an additional 10% discount.

OPTIONAL WEIGHT BOX FOR THREE-POINT HITCH

1006124		Weight Box for Rear Ballast – Fits Category 1, 3-Point Hitch	6.0 cu. ft.	113	\$ 492.00	—
---------	--	--	-------------	-----	-----------	---

Prices and specifications subject to change without notice.
 Prices effective January 1, 2021. Supersedes all previous pricing.
 Woods reserves the right to limit quantities and apply surcharges at any time.

Mounting Kits – Loader Model LC102

Mount Kit Part No.	Tractor Brand / Model	Fits Tractor Type				Ship Wt. (lbs.)	Suggested List Price
		2WD	4WD	ROPS	CAB		
AGCO®							
111787	ST34A/ST41A		X	X		310	\$ 1,464.00
W111770	ST35/ST35X/ST40/ST45X (All Non-Hydro Models)	X	X	X		344	1,394.00
BRANSON®							
111789	2910/3510/3820/4220/4720		X	X		325	1,013.00
CASE IH®							
2200014	D25/DX25/D29/DX29/DX31/D33/DX33/DX34	X	X	X		327	1,543.00
2200015	D35/DX35/D40/DX40/D45/DX45	X	X	X	X	351	1,543.00
2200033	Farmall 30B/35B	X	X	X		274	1,388.00
2200014	Farmall 31/35	X	X	X		327	1,543.00
2200015	Farmall 40/45/50	X	X	X	X	351	1,543.00
2200034	Farmall 40B/50B	X	X	X		327	1,388.00
2200043	Farmall 40C/50C		X	X		348	1,965.00
CHALLENGER®							
111787	MT265B/MT275B		X	X		310	1,464.00
CUB CADET®							
W111730	7260/7265/7300/7305	X	X	X		402	1,332.00
FORD® & NEW HOLLAND®							
W111755	1320/1520/1620/1715	X	X	X		332	1,388.00
W111755	1530/1630	X	X	X		332	1,388.00
W111755	1720	X	X	X		332	1,388.00
W111755	1725/1925	X	X	X		332	1,388.00
111758	1920	X	X	X		343	1,464.00
2200033	Boomer 30/35	X	X	X		274	1,388.00
2200034	Boomer 40/50	X	X	X		327	1,388.00
2200043	Boomer 41/47		X	X		348	1,965.00
2200015	Boomer 3040/3045/3050, 8N	X	X	X	X	351	1,543.00
2200015	T1530	X	X	X		351	1,543.00
2200014	T2210/T2220 with or without Super Steer	X	X	X		327	1,543.00
2200015	T2310/T2320/T2330 with or without Super Steer	X	X	X	X	351	1,543.00
2200014	TC25/TC25D/TC29/TC29D/TC29DA/TC30/TC31DA/TC33/TC33D/TC33DA/TC34DA with or without Super Steer	X	X	X		327	1,543.00
2200013	TC30/T1510/T1520	X	X	X		316	1,388.00
2200015	TC35/TC35A/TC35D/TC35DA/TC40/TC40A/TC40D/TC40DA/TC45/TC45A/TC45D/TC45DA with or without Super Steer	X	X	X	X	351	1,543.00

Mount Kit Part No.	Tractor Brand / Model	Fits Tractor Type				Ship Wt. (lbs.)	Suggested List Price
		2WD	4WD	ROPS	CAB		
JOHN DEERE®							
W111742	870/970/1070 (with Power Steering Only)	X	X	X		275	\$ 1,243.00
W111742	990	X	X	X		275	1,243.00
211716	3120/3320/3520/3720		X	X		255	1,435.00
211716	3203		X	X		255	1,435.00
211713	4120/4320/4520/4720	X	X	X		272	952.00
W111754	4200/4300/4400	X	X	X		246	1,319.00
111776	4210/4310/4410	X	X	X		264	1,171.00
W111753	4500/4510/4600/4610/4700/4710	X	X	X		262	1,388.00
KIOTI®							
2200009	DK35SE		X	X		337	1,969.00
KUBOTA®							
111762	L2050/L2350	X	X	X		364	1,464.00
W111739	L2250/L2550/L2850/L3250	X	X	X		359	1,388.00
111762	L2500/L2600	X	X	X		364	1,464.00
W111739	L2650/L2950/L3450/L3650	X	X	X		359	1,388.00
111780	L2800/L3400/L2800 HST/L3400 HST	X	X	X		218	980.00
W111761	L2900/L3300/L3600/L4200	X	X	X		384	1,756.00
W111761	L2900/L3300/L3600/L4200	X	X		X	384	1,756.00
W111761	L3010/L3410/L3710/L4310	X	X	X		384	1,756.00
W111761	L3010/L3410/L3710/L4310	X	X		X	384	1,756.00
W111771	L3130/L3430/L3830	X	X	X		310	1,171.00
111780	L3200/L3800	X	X	X		218	980.00
2200004	L3240/L3540	X	X	X	X	220	883.00
W111771	L3430	X	X		X	310	1,171.00
2200004	L3940	X	X	X	X	220	883.00
111780	L3700SU	X	X	X		218	980.00
2200003	L4240/L4740		X	X	X	347	1,135.00
W111772	L4330/L4630/L5030	X	X	X		313	1,171.00
W111772	L4330/L4630/L5030	X	X		X	313	1,171.00
211711	L4400	X	X	X		285	1,171.00
211711	L4600	X	X	X		285	1,171.00
W111769	L4610	X	X	X		355	1,388.00
W111769	L4610	X	X		X	355	1,388.00
W111769	MX5000	X	X	X		355	1,388.00

Mounting Kits continued on next page.

Prices and specifications subject to change without notice.
 Prices effective January 1, 2021. Supersedes all previous pricing.
 Woods reserves the right to limit quantities and apply surcharges at any time.

Mounting Kits – Loader Model LC102 (Continued)

Mount Kit Part No.	Tractor Brand / Model	Fits Tractor Type				Ship Wt. (lbs.)	Suggested List Price
		2WD	4WD	ROPS	CAB		
MAHINDRA®							
W111730	2615/3015	X	X	X		402	\$ 1,332.00

Mount Kit Part No.	Tractor Brand / Model	Fits Tractor Type				Ship Wt. (lbs.)	Suggested List Price
		2WD	4WD	ROPS	CAB		
MASSEY FERGUSON®							
W111741	1125/1140/1145	X	X	X		324	\$ 1,319.00
W111741	1240	X	X	X		324	1,319.00
W111741	1250/1260 (Prior to SN "G")	X	X	X		324	1,319.00
W111741	1250/1260 (SN "G" & Later)	X	X	X		324	1,319.00
W111770	1429/1433/1433V/ 1440/1440V (Non-Hydrostat versions)	X	X	X		344	1,394.00
2200019	1529/1532		X	X		318	1,464.00
111787	1533/1540		X	X		310	1,464.00
111787	1635		X	X		310	1,464.00

COMPACT SERIES LOADERS – LOADER VALVE KITS

SECTION 4

Valve Kits – Loader Model LC102

Part No.	Description	Shipping Wt. (lbs.)	Suggested List Price
1023509	Joystick Valve Kit – 2500 psi relief – Direct Control, Series Regenerative	39	\$ 1,135.00
1023510	Joystick Valve Kit – 2500 psi relief – Fender Mount Cable Control, Series Regenerative	38	1,537.00
1023511	Joystick Valve Kit – 2500 psi relief – Direct Control, Series Regenerative (includes hoses)	39	1,171.00
1023800	Joystick Valve Kit – 2500 psi relief – Direct Control, Series Regenerative – Tall	TBD	1,205.00

Prices and specifications subject to change without notice.
 Prices effective January 1, 2021. Supersedes all previous pricing.
 Woods reserves the right to limit quantities and apply surcharges at any time.

Hose Kits – Loader Model LC102

Part No.	Description	Shipping Wt. (lbs.)	Suggested List Price
1022118	Hose Kit – Ford® & New Holland® TC30/T1510/T1520, reference 2200013 mount kit	4	\$ 149.00
1023528	Hose Kit – Power Beyond, Branson® 2910/3510/3820/4220/4720, reference 111789 mount kit	7	247.00
1023529	Hose Kit – Power Beyond, Case IH® and Ford & New Holland	6	222.00
1023531	Hose Kit – Power Beyond, Case IH and Ford & New Holland	6	133.00
1023535	Hose Kit – Power Beyond, Ford & New Holland and Kubota® (see reference list)	8	293.00
1023542	Hose Kit – Power Beyond, John Deere® 870/970/1070, 990 (requires JD BM18010 hydraulic kit)	13	333.00
1023545	Hose Kit – Power Beyond, Kubota L2900/L3300/L3600/L4200 CAB, L3010/L3410/L3710/L4310/L4610 CAB, reference W111761 mount kit	6	187.00
1023549	Hose Kit – Power Beyond, Kubota L2250 – L3650, reference W111739 mount kit	12	293.00
1023550	Hose Kit – Power Beyond, Kubota L3430/L4330/L4630/L5030 with Cab	11	293.00
1023604	Hose Kit – Power Beyond, AGCO® ST34A/ST41A, Challenger® MT265B/MT275B, Massey Ferguson® 1533/1540/1635, reference 111787 mount kit	9	267.00
1023605	Hose Kit – Power Beyond, AGCO ST35/ST35X/ST40/ST40X, reference W111770 mount kit	7	257.00
1023610	Hose Kit – Power Beyond, Cub Cadet® 7260/7265/7300/7305 and Mahindra® 2615/3015, ref. W111730 mount kit	7	293.00
1023613	Hose Kit – (4) 54" Hoses with couplers, Case IH and Ford & New Holland	9	222.00
1023615	Hose Kit – (4) 46" Hoses with couplers, John Deere 4000 series tractors (use with JD SCV valve)	7	293.00
1023616	Hose Kit – (4) 75" Hoses with couplers, John Deere 870/970/990/1070 (use with JD SCV valve)	10	333.00
1023620	Hose Kit – Power Beyond, Kubota L2050/L2350/L2500/L2600, reference 111762 mount kit	10	333.00
1023622	Hose Kit – Power Beyond, Massey Ferguson 1125/1140/1145, 1240, 1250/1260 (Prior to SN "G"), reference W111741 mount kit	10	369.00
1023623	Hose Kit – Power Beyond, Massey Ferguson 1250/1260 (SN "G" & Later), reference W111741 mount kit	TBD	243.00
1023624	Hose Kit – Power Beyond, Massey Ferguson 1429/1433/1433V/ 1440/1440V, reference W111770 mount kit	6	257.00
1023627	Hose Kit – (4) 54" Hoses with couplers, Kubota L3240/L3540, L4240/L4740, reference 2200003/2200004 mount kits	9	313.00
1023628	Hose Kit – (4) 46" Hoses with couplers, John Deere 3120/3320/3520/3720 & 3203	7	137.00
W1023996	Hose Kit – Kubota L3940, reference 2200004 mount kit	12	349.00
1025739	Hose Kit – (4) 60" Hoses with couplers, Kioti® DK35SE, reference 2200009 mount kit	10	391.00
1030185	Hose Kit – Power Beyond, Massey Ferguson 1529/1532, reference 2200019 mount kit	7	369.00
1033412	Hose Kit – Case IH Farmall and New Holland Boomer, reference 2200033/2200034 mount kits	6	179.00
1037195	Hose Kit – Case IH Farmall and New Holland Boomer, reference 2200043 mount kit	10	342.00

Prices and specifications subject to change without notice.
 Prices effective January 1, 2021. Supersedes all previous pricing.
 Woods reserves the right to limit quantities and apply surcharges at any time.

Grill Guards – Loader Model LC102

Part No.	Description	Shipping Wt. (lbs.)	Suggested List Price
40988	Grill Guard – John Deere® 870/970/1070, 990 reference W111742 mount kit	43	\$ 149.00
46995	Grill Guard – Ford® & New Holland® 1920, reference 111758 mount kit	30	113.00
58310	Grill Guard – Massey Ferguson®, reference W111741 mount kit	36	222.00
59738	Grill Guard – John Deere, reference W111753/W111754/111776 mount kits	40	222.00
1001044	Grill Guard – Case IH® and Ford & New Holland, reference 2200015 mount kit	30	149.00
1001550	Grill Guard – Case IH and Ford & New Holland, reference W111755 mount kit	24	113.00
1002615	Grill Guard – Kubota®, reference W111739/W111761/111762 mount kits	46	222.00
1004610	Grill Guard – Kubota L4610/MX5000, reference W111769 mount kit	55	222.00
1006322	Grill Guard – Massey Ferguson and AGCO®, reference W111770 mount kit	42	149.00
1006492	Grill Guard – Kubota, reference W111771/W111772/111780/211711/2200004 mount kits	55	222.00
1013288	Grill Guard – AGCO ST34A/ST41A, Challenger® MT265B/MT275B, Massey Ferguson 1529/1532/1533/1540/1635, reference 111787/2200019 mount kits	47	198.00
1013487	Grill Guard – Branson® 2910/3510/3820/4220/4720, reference 111789 mount kit	38	175.00
1014864	Grill Guard – John Deere 4120/4320/4520/4720, reference 211713 mount kit	36	222.00
1019012	Grill Guard – John Deere 3120/3320/3520/3720 & 3203, reference 211716 mount kit	39	334.00
1022113	Grill Guard – Case IH and New Holland, reference 2200013/2200014 mount kits	34	217.00
1025236	Grill Guard – Kioti® DK35SE, reference 2200009 mount kit	39	279.00
1029450	Grill Guard – Kubota L3940, L4240/L4740, reference 2200003/2200004 mount kits	77	383.00
1033415	Grill Guard – Case IH Farmall 30B/35B and New Holland Boomer 30/35, reference 2200033 mount kit	31	179.00
1033425	Grill Guard – Case IH Farmall 40B/50B and New Holland Boomer 40/50, reference 2200034 mount kit	34	179.00
1033670	Grill Guard – Kubota L3200/L3700SU/L3800/L4600, reference 111780/211711 mount kits	61	239.00
1042732	Grill Guard – Case IH Farmall 40C/50C and New Holland Boomer 41/47, reference 2200043 mount kit	23	120.00

COMPACT SERIES LOADERS – MISCELLANEOUS

SECTION 7

Miscellaneous – Loader Model LC102

Part No.	Description	Shipping Wt. (lbs.)	Suggested List Price
1005093	Paint – Case of 12 Spray Cans – Red to match Case IH	13	\$ 173.00
1005095	Paint – Case of 12 Spray Cans – Blue to match New Holland Vibrant Blue	13	173.00
1005096	Paint – Case of 12 Spray Cans – Blue to match New Holland Ford Blue	13	173.00
1005097	Paint – Case of 12 Spray Cans – Orange to match Kubota	13	173.00
1005098	Paint – Case of 12 Spray Cans – Red to match Massey Ferguson	13	173.00

Prices and specifications subject to change without notice.
 Prices effective January 1, 2021. Supersedes all previous pricing.
 Woods reserves the right to limit quantities and apply surcharges at any time.

Tractor Notes – Loader Model LC102

1. Mount fits with OEM auxiliary valve – OEM auxiliary valve required Woods® hose kit 1023613.
2. Fits with Super Steer® front axle.
3. If tractor is equipped with John Deere® BM18010 rear quick coupler kit, use Woods hose kit 1023542. If tractor is equipped with John Deere Selective Control Valve (SCV), use Woods hose kit 1023616.
4. Tractor must have power steering to use hose kit.
5. Requires John Deere Selective Control Valve (SCV) and Woods hose kit to connect to tractor mid-remote couplers.
6. Grill guard included with mounting kit.
7. Will not fit 3-cylinder tractors with 29 x 12.5 x 15 turf tires.
8. Fits with Woods mower models C360 & C372.
9. L3010 and L3410 only – fits with Kubota® mid-mount mower model RC72-29A.
10. 2-function valve kit 1023511 includes all hoses and fittings to connect to tractor hydraulic system.
11. Requires reinforcement kit 1004750 to fit OEM mower model 914A. Reinforcement kit is NOT compatible with Super Steer front axle.
12. Tractors with Cab must be equipped with OEM loader valve and mid-remote quick couplers. Order hose kit 1023613 to connect.
13. Tractor must be equipped with Kioti® mid-remote cable valve and couplers to use hose kit 1025236.
14. Weight box 1006124 is recommended for tractor stability.
15. Tractor must be equipped with OEM loader valve and mid-remote quick couplers. Order hose kit 1033412 to connect.
16. Tractor must be equipped with OEM loader valve and mid-remote quick couplers.

PRICING DOES NOT INCLUDE
CURRENT SURCHARGE AMOUNT

Prices and specifications subject to change without notice.
Prices effective January 1, 2021. Supersedes all previous pricing.
Woods reserves the right to limit quantities and apply surcharges at any time.

LC108 Features and Specifications

FEATURES:

- Curved loader boom
- Midmount loader boom attachment
- Fast D-Tach loader
- Parking stands – stored in loader boom cross tube
- Rod bucket level indicator
- 4-bar bucket linkage
- Manual tube on the loader boom cross tube
- Optional Quick Attach Coupler System
- Construction bucket
- 2-year warranty

SPECIFICATIONS:

- | | |
|--|---|
| Fits 28 – 50 hp tractors (2WD & FWA) | Breakout at 19.7 inches ahead of bucket pivot pins: 3000 lbs. |
| Lift height: 108 inches | Maximum digging depth: 5 inches |
| Lift cylinders: 2.36 inches; Bucket cylinders: 2.36 inches | Dump angle: 58 degrees |
| Lift capacity at bucket pins: 2175 lbs. | Roll back angle: 35 degrees |
| Lift capacity at 19.7 inches ahead of bucket pivot pins: 1800 lbs. | Reach: 40 inches |
| Breakout at bucket pins: 3850 lbs. | Pivot pins diameter: 1.25 inches |

To Order a Complete Loader Using the Woods® Quick Order System

- Find the tractor brand and model you are attempting to fit in the **Tractor/Loader Adaptability Chart**.
- Select the loader model you wish to price (each model belongs to a Loader Series, i.e., Compact Series).
- Go to the appropriate Loader Model **Quick Order** tab.
- Find the tractor brand / model you are fitting.
- Order loader frame.
- Order Quick Attachment Carrier System and quick attach bucket.
- Order completing kit.

Be sure to refer to the “Notes” column; Tractor Notes are found at the end of each tabbed section in the Loader price pages. Prices for each component are listed in the appropriate component section. If you have any questions, please contact Woods Dealer Services.

EXAMPLE

When ordering a loader to fit a Kubota® tractor, model L3430 ROPS, do the following:

1. The Kubota L3430 ROPS tractor is fit by one Woods loader model: LC108. (Reference the Tractor/Loader Adaptability Chart.)
2. Flip to the LC108 **Quick Order** tab.
3. **Section 1** – Select tractor brand and model that the LC108 loader is to fit: Kubota L3430 ROPS.
 - a. Order the loader frame #2210844 (Orange to match Kubota).
 - b. Order the bucket #2270066 (66” quick attach bucket).
 - c. Order Quick Attach Coupler System #2350000.
 - d. Order the completing kit #111771D1. Completing kit includes loader mount, valve, hose kit and grill guard (if available). List price of complete loader is \$8,386; total weight is 882 lbs.

Prices and specifications subject to change without notice.
Prices effective January 1, 2021. Supersedes all previous pricing.
Woods reserves the right to limit quantities and apply surcharges at any time.

Unless noted, each "Loader Complete" STANDARD configuration includes loader, bucket, and completing kit (mount, hydraulics and grill guard, if grill guard is available). Any deviation from standard configuration will require ordering components individually.

Quick Order Section – Loader Model LC108

Tractor Brand / Model	Loader Pkg. Type	Fits Tractor Type				Loader Frame Color	Quick Order Part Numbers					Ship Wt. (lbs.)	Suggested List Price	Tractor Notes
		2WD	4WD	ROPS	CAB		LC108 Loader Frame	Bucket Width (in.)	Quick Attach. Coupler	QA Bucket	Completing Kit *			
BRANSON®														
3820/4220/4720	QA		X	X		Black	2210840	66	2350000	2270066	111789D1	882	\$ 8,303	
CASE IH®														
DX40/DX45	QA		X		X	Red	2210842	66	2350000	2270066	2200015H	882	7,737	7
DX48/DX55	QA	X	X	X		Red	2210842	66	2350000	2270066	2200002D2	882	8,893	
DX48/DX55	QA	X	X	X		Red	2210842	66	2350000	2270066	2200002H2	1192	7,748	7, 8
Farmall 45/50	QA		X		X	Red	2210842	66	2350000	2270066	2200015H	882	7,737	7
Farmall 45A/55A	QA	X	X	X		Red	2210842	66	2350000	2270066	2200031D	1290	8,903	
Farmall 50A/60A/70A	QA		X	X		Red	2210842	72	2350000	2270072	2200047D	898	9,132	
Farmall 55/60	QA	X	X	X		Red	2210842	66	2350000	2270066	2200002D2	882	8,893	
Farmall 55/60	QA	X	X	X		Red	2210842	66	2350000	2270066	2200002H2	1192	7,748	7, 8
FORD® & NEW HOLLAND®														
1920	QA	X	X	X		Fd-NH Blue	2210843	66	2350000	2270066	111758D1	882	8,760	
3230/3430/3930	QA	X		X		Fd-NH Blue	2210843	66	2350000	2270066	111764D2	882	8,940	
Boomer 3040/3045/3050, 8N	QA		X	X	X	Vibrant-NH Blue	2210847	66	2350000	2270066	2200015D	1308	8,874	5, 7
T1530	QA		X	X		Vibrant-NH Blue	2210847	66	2350000	2270066	2200015D	1308	8,874	5
T2310/T2320/T2330 with Super Steer Only	QA		X	X		Vibrant-NH Blue	2210847	66	2350000	2270066	2200015D	1308	8,874	
T2310/T2320/T2330 with Super Steer Only	QA		X	X		Vibrant-NH Blue	2210847	66	2350000	2270066	2200015H	882	7,737	7
T2310/T2320/T2330 with or without Super Steer	QA		X		X	Vibrant-NH Blue	2210847	66	2350000	2270066	2200015H	882	7,737	7
T2410/T2420	QA	X	X	X		Vibrant-NH Blue	2210847	66	2350000	2270066	2200002D2	882	8,893	
T2410/T2420	QA	X	X	X		Vibrant-NH Blue	2210847	66	2350000	2270066	2200002H2	1192	7,748	7, 8
TC35/TC35A/TC35D/TC35DA/TC40/TC40A/TC40D/TC40DA/TC45/TC45A/TC45D/TC45DA with Super Steer only	QA		X	X		Vibrant-NH Blue	2210847	66	2350000	2270066	2200015D	1308	8,874	5
TC35/TC35A/TC35D/TC35DA/TC40/TC40A/TC40D/TC40DA/TC45/TC45A/TC45D/TC45DA with Super Steer only	QA		X	X		Vibrant-NH Blue	2210847	66	2350000	2270066	2200015H	882	7,737	7
TC40DA/TC45DA with or without Super Steer	QA		X		X	Vibrant-NH Blue	2210847	66	2350000	2270066	2200015H	882	7,737	7
TC48DA/TC55DA	QA	X	X	X		Vibrant-NH Blue	2210847	66	2350000	2270066	2200002D2	882	8,893	
TC48DA/TC55DA	QA	X	X	X		Vibrant-NH Blue	2210847	66	2350000	2270066	2200002H2	1192	7,748	7, 8

* Completing Kits that end in D or D* contain mounting kit, Woods Hydraulic Package (2-spool direct control valve and hose kit) and grill guard, if available.
 Completing Kits that end in C* contain mounting kit, Woods Hydraulic Package (2-spool cable control valve and hose kit) and grill guard, if available.
 Completing Kits that end in H or H* contain mounting kit, 4-hose kit (to connect loader to OEM remote valve) and grill guard, if available.

Prices and specifications subject to change without notice.
 Prices effective January 1, 2021. Supersedes all previous pricing.
 Woods reserves the right to limit quantities and apply surcharges at any time.

Unless noted, each “Loader Complete” STANDARD configuration includes loader, bucket, and completing kit (mount, hydraulics and grill guard, if grill guard is available). Any deviation from standard configuration will require ordering components individually.

Quick Order Section – Loader Model LC108 (Continued)

Tractor Brand Model	Loader Pkg. Type	Fits Tractor Type				Loader Frame Color	Quick Order Part Numbers					Ship Wt. (lbs.)	Suggested List Price	Tractor Notes
		2WD	4WD	ROPS	CAB		LC108 Loader Frame	Bucket Width (in.)	Quick Attach. Coupler	QA Bucket	Completing Kit *			
FORD® & NEW HOLLAND® (Continued)														
TT45A/TT50A	QA	X		X		Vibrant-NH Blue	2210847	66	2350000	2270066	2200011D2	882	\$ 8,877	
Workmaster 45/55	QA	X	X	X		Vibrant-NH Blue	2210847	66	2350000	2270066	2200031D	1290	8,903	
Workmaster 50/60/70	QA		X	X		Vibrant-NH Blue	2210847	72	2350000	2270072	2200047D	898	9,132	
JOHN DEERE®														
870/970/1070 (Power Steering only)	QA	X	X	X		Green	2210841	66	2350000	2270066	111742D1	882	8,686	2
990	QA	X	X	X		Green	2210841	66	2350000	2270066	111742D1	882	8,686	2
4120/4320/4520/4720	QA	X	X	X		Green	2210841	66	2350000	2270066	211713H1	882	7,293	1
4500/4510/4600/4610/4700/4710	QA	X	X	X		Green	2210841	66	2350000	2270066	111753H1	882	7,732	1
KIOTI®														
DK35SE	QA		X	X		Orange	2210844	66	2350000	2270066	2200009H	882	8,561	9
KUBOTA®														
L2550/L2850/L3250	QA	X	X	X		Orange	2210844	66	2350000	2270066	111739D1	1338	8,868	
L2650/L2950/L3450/L3650	QA	X	X	X		Orange	2210844	66	2350000	2270066	111739D1	1338	8,868	
L2900/L3300/L3600/L4200	QA	X	X	X		Orange	2210844	66	2350000	2270066	111761D1	1359	9,233	3, 4
L2900/L3300/L3600/L4200	QA	X	X		X	Orange	2210844	66	2350000	2270066	111761C1	882	9,528	3, 4
L3010/L3410/L3710/L4310	QA	X	X	X		Orange	2210844	66	2350000	2270066	111761D1	1359	9,233	3, 4
L3010/L3410/L3710/L4310	QA	X	X		X	Orange	2210844	66	2350000	2270066	111761C1	882	9,528	3, 4
L3130/L3430/L3830	QA	X	X	X		Orange	2210844	66	2350000	2270066	111771D1	882	8,386	6
L3240/L3540	QA		X	X	X	Orange	2210844	66	2350000	2270066	2200004H	1191	7,238	10
L3430	QA	X	X		X	Orange	2210844	66	2350000	2270066	111771C1	TBD	9,047	
L3940	QA		X	X	X	Orange	2210844	66	2350000	2270066	2200004H2	1191	TBD	10
L4240/L4740	QA		X	X	X	Orange	2210844	66	2350000	2270066	2200003H2	1282	7,657	
L4330/L4630/L5030	QA	X	X	X		Orange	2210844	66	2350000	2270066	111772D1	882	8,386	6
L4330/L4630/L5030	QA	X	X		X	Orange	2210844	66	2350000	2270066	111772C1	882	9,047	
L4400	QA	X	X	X		Orange	2210844	66	2350000	2270066	211711D1	1261	8,386	6
L4600	QA	X	X	X		Orange	2210844	66	2350000	2270066	211711D2	TBD	8,402	6
L4610	QA	X	X	X		Orange	2210844	66	2350000	2270066	111769D1	1339	8,868	
L4610	QA	X	X		X	Orange	2210844	66	2350000	2270066	111769C1	882	9,157	
L5040/L5240/L5740	QA		X	X	X	Orange	2210844	66	2350000	2270066	2200003H3	1282	7,621	
MX5000	QA	X	X	X		Orange	2210844	66	2350000	2270066	111769D1	1339	8,868	
MX5100	QA	X	X	X		Orange	2210844	72	2350000	2270072	2200003D2	898	8,592	
MASSEY FERGUSON®														
2605/2615	QA		X	X		Red	2210846	66	2350000	2270066	2200023D	882	9,276	

* Completing Kits that end in D or D* contain mounting kit, Woods Hydraulic Package (2-spool direct control valve and hose kit) and grill guard, if available.
 Completing Kits that end in C* contain mounting kit, Woods Hydraulic Package (2-spool cable control valve and hose kit) and grill guard, if available.
 Completing Kits that end in H or H* contain mounting kit, 4-hose kit (to connect loader to OEM remote valve) and grill guard, if available.

Prices and specifications subject to change without notice.
 Prices effective January 1, 2021. Supersedes all previous pricing.
 Woods reserves the right to limit quantities and apply surcharges at any time.

Unless noted, Completing Kits include Mount Kit, Woods® Hydraulic Package (or 4-Hose Kit for tractor remotes) and Grill Guard.

Completing Kits – Loader Model LC108

Tractor Brand / Model	Fits Tractor Type				Completing Kit Part No. **	Mount Kit	Woods Hydraulic Package		OR	4-Hose Kit	Grill Guard	Ship Wt. (lbs.)	Suggested List Price	Notes
	2WD	4WD	ROPS	CAB			Connects to OEM Valve or Remotes	2-Spool Valve Kit		Hoses for Loader Valve				
BRANSON®														
3820/4220/4720		X	X		111789D1	111789	1023800	1023528		N/A	1013487	0	\$ 2,477	
CASE IH®														
DX40/DX45		X		X	2200015H	2200015	N/A	N/A		1023613	1001044	0	1,911	7
DX48/DX55	X	X	X		2200002D2	2200002	1023509	1023626		A	1007768	0	3,067	
DX48/DX55	X	X	X		2200002H2	2200002	A	A		1023625	1007768	310	1,922	7, 8
Farmall 45/50		X		X	2200015H	2200015	A	A		1023613	1001044	0	1,911	7
Farmall 45A/55A	X	X	X		2200031D	2200031	1023509	1024328		N/A	1033140	408	3,077	
Farmall 50A/60A/70A		X	X		2200047D	2200047	1023514	1042824		A	1042826	0	3,235	
Farmall 55/60	X	X	X		2200002D2	2200002	1023509	1023626		A	1007768	0	3,067	
Farmall 55/60	X	X	X		2200002H2	2200002	A	A		1023625	1007768	310	1,922	7, 8
FORD® & NEW HOLLAND®														
1920	X	X	X		111758D1	111758	1023509	1023529		N/A	46995	0	2,934	
3230/3430/3930	X		X		111764D2	W111764	1023509	1023538		N/A	1001412	0	3,114	
Boomer 3040/3045/3050, 8N		X	X	X	2200015D	2200015	1023509	1023529		A	1001044	426	3,048	5, 7
T1530		X	X		2200015D	2200015	1023509	1023529		A	1001044	426	3,048	7
T2310/T2320/T2330 with Super Steer only		X	X		2200015D	2200015	1023509	1023529		A	1001044	426	3,048	
T2310/T2320/T2330 with Super Steer only		X	X		2200015H	2200015	A	A		1023613	1001044	0	1,911	9
T2310/T2320/T2330 with or without Super Steer		X		X	2200015H	2200015	N/A	N/A		1023613	1001044	0	1,911	9
T2410/T2420	X	X	X		2200002D2	2200002	1023509	1023626		A	1007768	0	3,067	
T2410/T2420	X	X	X		2200002H2	2200002	A	A		1023625	1007768	310	1,922	9, 8
TC35/TC35A/TC35D/TC35DA/TC40/TC40A/TC40D/TC40DA/TC45/TC45A/TC45D/TC45DA with Super Steer only		X	X		2200015D	2200015	1023509	1023529		A	1001044	426	3,048	5
TC35/TC35A/TC35D/TC35DA/TC40/TC40A/TC40D/TC40DA/TC45/TC45A/TC45D/TC45DA with Super Steer only		X	X		2200015H	2200015	A	A		1023613	1001044	0	1,911	9
TC40DA/TC45DA with or without Super Steer		X		X	2200015H	2200015	A	A		1023613	1001044	0	1,911	7
TC48DA/TC55DA	X	X	X		2200002D2	2200002	1023509	1023626		A	1007768	0	3,067	
TC48DA/TC55DA	X	X	X		2200002H2	2200002	A	A		1023625	1007768	310	1,922	9, 8
TT45A/TT50A	X		X		2200011D2	2200011	1023509	1024328		N/A	1028289	0	3,051	
Workmaster 45/55	X	X	X		2200031D	2200031	1023509	1024328		N/A	1033140	408	3,077	
Workmaster 50/60/70		X	X		2200047D	2200047	1023514	1042824		A	1042826	0	3,235	

** Completing Kits that end in D or D* contain mounting kit, Woods Hydraulic Package (2-spool direct control valve and hose kit) and grill guard, if available.
 Completing Kits that end in C* contain mounting kit, Woods Hydraulic Package (2-spool cable control valve and hose kit) and grill guard, if available.
 Completing Kits that end in H or H* contain mounting kit, 4-hose kit (to connect loader to OEM remote valve) and grill guard, if available.

A = Available
 N/A = Not Available

Prices and specifications subject to change without notice.
 Prices effective January 1, 2021. Supersedes all previous pricing.
 Woods reserves the right to limit quantities and apply surcharges at any time.

Unless noted, Completing Kits include Mount Kit, Woods® Hydraulic Package (or 4-Hose Kit for tractor remotes) and Grill Guard.

Completing Kits – Loader Model LC108 (Continued)

Tractor Brand / Model	Fits Tractor Type				Completing Kit Part No. **	Mount Kit	Woods Hydraulic Package		OR	4-Hose Kit	Grill Guard	Ship Wt. (lbs.)	Suggested List Price	Notes
	2WD	4WD	ROPS	CAB			Connects to OEM Valve or Remotes	2-Spool Valve Kit		Hoses for Loader Valve				
JOHN DEERE®														
870/970/1070 (Power Steering only)	X	X	X		111742D1	W111742	1023509	1023542		1023616	40988	0	\$ 2,860	2
990	X	X	X		111742D1	W111742	1023509	1023542		1023616	40988	0	2,860	2
4120/4320/4520/4720	X	X	X		211713H1	211713	N/A	N/A		1023615	1014864	0	1,467	1
4500/4510/4600/4610/4700/4710	X	X	X		111753H1	W111753	N/A	N/A		1023615	59738	0	1,906	1
KIOTI®														
DK35SE		X	X		2200009H	2200009	N/A	N/A		1025739	1025236	0	2,735	9
KUBOTA®														
L2550/L2850/L3250	X	X	X		111739D1	W111739	1023509	1023549		N/A	1002615	456	3,042	
L2650/L2950/L3450/L3650	X	X	X		111739D1	W111739	1023509	1023549		N/A	1002615	456	3,042	
L2900/L3300/L3600/L4200	X	X	X		111761D1	W111761	1023509	1023535		N/A	1002615	477	3,407	3, 4
L2900/L3300/L3600/L4200	X	X		X	111761C1	W111761	1023510	1023545		N/A	1002615	0	3,702	3, 4
L3010/L3410/L3710/L4310	X	X	X		111761D1	W111761	1023509	1023535		N/A	1002615	477	3,407	3, 4
L3010/L3410/L3710/L4310	X	X		X	111761C1	W111761	1023510	1023545		N/A	1002615	0	3,702	3, 4
L3130/L3430/L3830	X	X	X		111771D1	W111771	1023511	included w/valve		N/A	1006492	0	2,560	6
L3240/L3540		X	X	X	2200004H	2200004	N/A	N/A		1023627	1006492	309	1,412	10
L3430	X	X		X	111771C1	W111771	1023510	1023550		N/A	1006492	TBD	3,221	
L3940		X	X	X	2200004H2	2200004	N/A	N/A		W1023996	1029450	309	TBD	10
L4240/L4740		X	X	X	2200003H2	2200003	N/A	N/A		1023627	1029450	433	1,831	
L4330/L4630/L5030	X	X	X		111772D1	W111772	1023511	included w/valve		N/A	1006492	0	2,560	6
L4330/L4630/L5030	X	X		X	111772C1	W111772	1023510	1023550		N/A	1006492	0	3,221	
L4400	X	X	X		211711D1	211711	1023511	included w/valve		N/A	1006492	379	2,560	6
L4600	X	X	X		211711D2	211711	1023511	included w/valve		N/A	1033670	TBD	2,576	6
L4610	X	X	X		111769D1	W111769	1023509	1023535		N/A	1004610	457	3,042	
L4610	X	X		X	111769C1	W111769	1023510	1023545		N/A	1004610	0	3,331	
L5040/L5240/L5740		X	X	X	2200003H3	2200003	N/A	N/A		1028835	1018190	400	1,795	
MX5000	X	X	X		111769D1	W111769	1023509	1023535		N/A	1004610	457	3,042	
MX5100	X	X	X		2200003D2	2200003	1023509	1029005		N/A	1027854	0	2,695	
MASSEY FERGUSON®														
2605/2615		X	X		2200023D	2200023	1023512	1032897		N/A	1032895	0	3,450	

** Completing Kits that end in D or D* contain mounting kit, Woods Hydraulic Package (2-spool direct control valve and hose kit) and grill guard, if available.
 Completing Kits that end in C* contain mounting kit, Woods Hydraulic Package (2-spool cable control valve and hose kit) and grill guard, if available.
 Completing Kits that end in H or H* contain mounting kit, 4-hose kit (to connect loader to OEM remote valve) and grill guard, if available.
 A = Available
 N/A = Not Available

Prices and specifications subject to change without notice.
 Prices effective January 1, 2021. Supersedes all previous pricing.
 Woods reserves the right to limit quantities and apply surcharges at any time.

Miscellaneous – Loader Model LC108

Part No.	Description	Shipping Wt. (lbs.)	Suggested List Price
1005093	Paint – Case of 12 Spray Cans – Red to match Case IH®	13	\$ 173.00
1005095	Paint – Case of 12 Spray Cans – Blue to match New Holland® Vibrant Blue	13	173.00
1005096	Paint – Case of 12 Spray Cans – Blue to match New Holland Ford® Blue	13	173.00
1005097	Paint – Case of 12 Spray Cans – Orange to match Kubota®	13	173.00
1005098	Paint – Case of 12 Spray Cans – Red to match Massey Ferguson®	13	173.00
1024040	Rear Rail Kit – For Kubota L3240/L3540/L3940 (LC108 Loader only)	78	\$ 334.00

COMPACT SERIES LOADERS – TRACTOR NOTES

SECTION 4

Tractor Notes – Loader Model LC108

1. Requires John Deere® Selective Control Valve (SCV) and Woods® hose kit to connect to tractor mid-remote couplers.
2. If tractor is equipped with John Deere BM18010 rear quick coupler kit, use Woods hose kit 1023542. If tractor is equipped with John Deere Selective Control Valve (SCV), use Woods hose kit 1023616.
3. Will not fit 3-cylinder tractors with 29 x 12.5 x 15 turf tires.
4. Grill guard required for LC108 Loader.
5. Recommend LC96 or LC102 Woods model loader on tractors without Super Steer®. LC108 Loader is required to fit tractors with Super Steer.
6. 2-function valve kit 1023511 includes all hoses and fittings to connect to tractor hydraulic system.
7. Tractors with Cab must be equipped with OEM loader valve and remote quick couplers.
8. Hose kit 1023625 for tractor remotes does not include quick couplers.
9. Tractor must be equipped with Kioti® mid-remote cable valve and couplers to use hose kit 1025739.
10. LC108 Loader requires 1024040 Rear Rail Kit to prevent damage to tractor or mounting kit. Refer to Miscellaneous section for pricing.

Prices and specifications subject to change without notice.
 Prices effective January 1, 2021. Supersedes all previous pricing.
 Woods reserves the right to limit quantities and apply surcharges at any time.

LC108 Features and Specifications

FEATURES:

Curved loader boom
Midmount loader boom attachment
Fast D-Tach loader
Parking stands – stored in loader boom cross tube
Rod bucket level indicator
4-bar bucket linkage
Manual tube on the loader boom cross tube
Optional Quick Attach Coupler System
Construction bucket
2-year warranty

SPECIFICATIONS:

Fits 28 – 50 hp tractors (2WD & FWA)	Breakout at 19.7 inches ahead of bucket pivot pins: 3000 lbs.
Lift height: 108 inches	Maximum digging depth: 5 inches
Lift cylinders: 2.36 inches; Bucket cylinders: 2.36 inches	Dump angle: 58 degrees
Lift capacity at bucket pins: 2175 lbs.	Roll back angle: 35 degrees
Lift capacity at 19.7 inches ahead of bucket pivot pins: 1800 lbs.	Reach: 40 inches
Breakout at bucket pins: 3850 lbs.	Pivot pins diameter: 1.25 inches

To Order a Complete Loader by Ordering Individual Components

- Find the tractor brand and model you are attempting to fit in the **Tractor/Loader Adaptability Chart**.
- Select the loader model you wish to price (each model belongs to a Loader Series, i.e., Compact Series).
- Go to the appropriate Loader Model **Component Order** tab.
- Find the tractor brand / model you are fitting in the **Tractor Reference** section – part numbers needed to configure a loader are listed (except loader frame and bucket).
- Order loader frame.
- Order front-end attachment(s).
- Order mounting kit.
- Order valve kit.
- Order hose kit OR 4-hose kit to connect to OEM remote valve.
- Order grill guard.

Be sure to refer to the “Notes” column; Tractor Notes are found at the end of each tabbed section in the Loader price pages. Prices for each component are listed in the appropriate component section. If you have any questions, please contact Woods® Dealer Services.

EXAMPLE:

When ordering a loader to fit a Kubota® tractor, model L3430 ROPS, do the following:

1. The Kubota L3430 ROPS tractor is fit by one Woods loader model: LC108. (Reference the Tractor/Loader Adaptability Chart.)
2. Flip to the LC108 **Components** tab and go to the Tractor Reference Chart for components to order to complete the LC108 Loader.
 - a. **Section 1** – Order the loader frame #2210844 (Orange to match Kubota).
 - b. **Section 2** – Order the bucket #2270066 (66” quick attach bucket) and the Quick Attach Coupler System. Other front end attachments may be ordered within this section.
 - c. **Section 3** – Order the mounting kit #W111771.
 - d. **Section 4** – Order the valve kit #1023511.
 - e. **Section 5** – Order the hose kit # (included with valve) OR the 4-hose kit # (N/A).
 - f. **Section 6** – Order grill guard #1006492.

Prices and specifications subject to change without notice.
Prices effective January 1, 2021. Supersedes all previous pricing.
Woods reserves the right to limit quantities and apply surcharges at any time.

COMPACT SERIES LOADERS – MODEL LC108 TRACTOR REFERENCE CHART

Tractor Brand / Model	Fits Tractor Type				Mount Kit	Hydraulic Package		OR	4-Hose Kit	Grill Guard	OEM Mid-Mower Compat.	Tractor Notes
	2WD	4WD	ROPS	CAB		2-Spool Valve Kit	Hoses for Loader Valve		Connects to OEM Valve			
BRANSON®												
3820/4220/4720		X	X		111789	1023800	1023528		N/A	1013487		
CASE IH®												
DX40/DX45		X		X	2200015	N/A	N/A		1023613	1001044		7
DX48/DX55	X	X	X		2200002	1023509	1023626		1023625	1007768		7, 8
Farmall 45/50		X		X	2200015	1023509	1023529		1023613	1001044		7
Farmall 45A/55A	X	X	X		2200031	1023509	1024328		N/A	1033140		
Farmall 50A/60A/70A		X	X		2200047	1023514	1042824		1042823	1042826		
Farmall 55/60	X	X	X		2200002	1023509	1023626		1023625	1007768		7, 8
FORD® & NEW HOLLAND®												
1920	X	X	X		111758	1023509	1023529		N/A	46995		
3230/3430/3930	X		X		W111764	1023509	1023538		1028847	1001412		
Boomer 3040/3045/3050, 8N		X	X	X	2200015	1023509	1023529		1023613	1001044		5, 7
T1530		X	X		2200015	1023509	1023529		1023613	1001044		7
T2310/T2320/T2330 with Super Steer Only		X	X		2200015	1023509	1023529		1023613	1001044		7
T2310/T2320/T2330 with or without Super Steer		X	X		2200015	N/A	N/A		1023613	1001044		7
T2410/T2420	X	X	X		2200002	1023509	1023626		1023625	1007768		7, 8
TC35/TC35A/TC35D/TC35DA/TC40/TC40A/TC40D/TC40DA/TC45/TC45A/TC45D/TC45DA with Super Steer Only		X	X		2200015	1023509	1023529		1023613	1001044		5, 7
TC40DA/TC45DA with or without Super Steer		X	X		2200015	N/A	N/A		1023613	1001044		7
TC48DA/TC55DA	X	X	X		2200002	1023509	1023626		1023625	1007768		7, 8
TT45A/TT50A	X		X		2200011	1023509	1024328		N/A	1028289		
Workmaster 45/55	X	X	X		2200031	1023509	1024328		N/A	1033140		
Workmaster 50/60/70		X	X		2200047	1023514	1042824		1042823	1042826		
JOHN DEERE®												
870/970/1070 (Power Steering only)	X	X	X		W111742	1023509	1023542		1023616	40988		2
990	X	X	X		W111742	1023509	1023542		1023616	40988		2
4120/4320/4520/4720	X	X	X		211713	N/A	N/A		1023615	1014864		1
4500/4510/4600/4610/4700/4710	X	X	X		W111753	N/A	N/A		1023615	59738		1
KIOTI®												
DK35SE		X	X		2200009	N/A	N/A		1025739	1025236		9

Tractor Reference Chart continued on next page.

Note: If listed, 4-hose kit for use with tractor remotes may be ordered instead of Woods® valve and hose kit for loader valve.

N/A = Not Available

Prices and specifications subject to change without notice.
 Prices effective January 1, 2021. Supersedes all previous pricing.
 Woods reserves the right to limit quantities and apply surcharges at any time.

COMPACT SERIES LOADERS – MODEL LC108 TRACTOR REFERENCE CHART (Continued)

Tractor Brand / Model	Fits Tractor Type				Mount Kit	Hydraulic Package		OR	4-Hose Kit	Grill Guard	OEM Mid-Mower Compat.	Tractor Notes
	2WD	4WD	ROPS	CAB		2-Spool Valve Kit	Hoses for Loader Valve		Connects to OEM Valve			
KUBOTA®												
L2550/L2850/L3250	X	X	X		W111739	1023509	1023549		N/A	1002615		
L2650/L2950/L3450/L3650	X	X	X		W111739	1023509	1023549		N/A	1002615		
L2900/L3300/L3600/L4200	X	X	X		W111761	1023509	1023535		N/A	1002615		3, 4
L2900/L3300/L3600/L4200	X	X		X	W111761	1023510	1023545		N/A	1002615		3, 4
L3010/L3410/L3710/L4310	X	X	X		W111761	1023509	1023535		N/A	1002615	RC72-29A	3, 4
L3010/L3410/L3710/L4310	X	X		X	W111761	1023510	1023545		N/A	1002615	RC72-29A	3, 4
L3130/L3430/L3830	X	X	X		W111771	1023511	included w/valve		N/A	1006492		6
L3240/L3540		X	X	X	2200004	N/A	N/A		1023627	1006492	RC72-38	10
L3430	X	X		X	W111771	1023510	1023550		N/A	1006492		
L3940		X	X	X	2200004	N/A	N/A		W1023996	1029450	RC72-38	10
L4240/L4740		X	X	X	2200003	N/A	N/A		1023627	1029450		
L4330/L4630/L5030	X	X	X		W111772	1023511	included w/valve		N/A	1006492		6
L4330/L4630/L5030	X	X		X	W111772	1023510	1023550		N/A	1006492		
L4400	X	X	X		211711	1023511	included w/valve		N/A	1006492		6
L4600	X	X	X		211711	1023511	included w/valve		N/A	1033670		6
L4610	X	X	X		W111769	1023509	1023535		N/A	1004610		
L4610	X	X		X	W111769	1023510	1023545		N/A	1004610		
L5040/L5240/L5740		X	X	X	2200003	N/A	N/A		1028835	1018190		
MX5000	X	X	X		W111769	1023509	1023535		N/A	1004610		
MX5100	X	X	X		2200003	1023509	1029005		N/A	1027854		
MASSEY FERGUSON®												
2605/2615		X	X		2200023	1023512	1032897		N/A	1032895		

Note: If listed, 4-hose kit for use with tractor remotes may be ordered instead of Woods® valve and hose kit for loader valve.

N/A = Not Available

Prices and specifications subject to change without notice.
 Prices effective January 1, 2021. Supersedes all previous pricing.
 Woods reserves the right to limit quantities and apply surcharges at any time.

Frames – Loader Model LC108

Part No.	Description	Shipping Wt. (lbs.)	Suggested List Price
2210840	Black (Universal)	540	\$ 4,082.00
2210841	Green to match John Deere®	540	4,082.00
2210842	Red to match Case IH®	540	4,082.00
2210843	Blue to match Ford® & New Holland®	540	4,082.00
2210844	Orange to match Kubota®	540	4,082.00
2210846	Red to match Massey Ferguson®	540	4,082.00
2210847	Vibrant Blue to match New Holland®	540	4,082.00
2210850	Red to match Mahindra®	540	4,082.00

COMPACT SERIES LOADERS – BUCKETS & FRONT-END ATTACHMENTS

SECTION 2

Buckets & Front End Attachments – Loader Model LC108

OPTIONAL BUCKETS – Compatible with Quick Attach Coupler System

Part No.	Width (in.)	Description	Capacity	Shipping Wt. (lbs.)	Suggested List Price	Qty. of 5 List Price *
2270066	66	Heavy-Duty Loader Bucket – Skid Steer Quick Attach	12.8 cu. ft.	258	\$ 1,064.00	—
2270072	72	Heavy-Duty Loader Bucket – Skid Steer Quick Attach	14.0 cu. ft.	274	1,135.00	—

Note: Loader buckets are punched for optional Bolt-on Cutting Edges.

OPTIONAL QUICK ATTACH COUPLER SYSTEM

2350000		Skid Steer (ISO 24410) Quick Attach Coupler System		84	\$ 680.00	—
---------	--	--	--	----	-----------	---

OPTIONAL BOLT-ON EDGES, TOOTHBARS AND TINE KIT

46383	66	Bolt-On Edge for 66" Buckets, includes hardware		50	\$ 175.00	—
46384	72	Bolt-On Edge for 72" Buckets, includes hardware		55	195.00	—
CETB655	65.25	Toothbar for 66" Buckets, includes hardware		77	511.00	—
CETB715	71.25	Toothbar for 72" Buckets, includes hardware		80	511.00	—
46380		Tine Kit for 66" & 72" Buckets, includes hardware (Must drill holes in bucket)		33	149.00	—

SKID STEER (ISO 24410) QUICK ATTACH SYSTEM COMPATIBLE ATTACHMENTS

1037170		BS3044S – Single Bale Spear with 2 Stabilizer Spikes	3000 lbs.	201	\$ 695.00	\$ 626.00
1037171		BS6044S – Double Bale Spear	6000 lbs.	223	845.00	761.00
1044700		BS4032S – Triple Bale Spear	4000 lbs.	275	950.00	855.00
1045980		PFW2242S – Pallet Fork with 42" Tines, Walk-thru Frame	2200 lbs.	328	1,056.00	950.00
1042551		PFW4442S – Pallet Fork with 42" Tines, Walk-thru Frame	4400 lbs.	380	1,147.00	1,032.00
1042552		PFW4448S – Pallet Fork with 48" Tines, Walk-thru Frame	4400 lbs.	380	1,165.00	1,049.00
1045940		PF4448S – Pallet Fork with 48" Tines, Full Frame	4400 lbs.	436	1,193.00	1,074.00

* Order 5+ units in any combination of bale spears or any combination of pallet forks to receive an additional 10% discount.

OPTIONAL WEIGHT BOX FOR THREE-POINT HITCH

1006124		Weight Box for Rear Ballast – Fits Category 1, 3-Point Hitch	6.0 cu. ft.	113	\$ 492.00	—
---------	--	--	-------------	-----	-----------	---

Prices and specifications subject to change without notice.
 Prices effective January 1, 2021. Supersedes all previous pricing.
 Woods reserves the right to limit quantities and apply surcharges at any time.

Mounting Kits – Loader Model LC108

Mount Kit Part No.	Tractor Brand / Model	Fits Tractor Type				Ship Wt. (lbs.)	Suggested List Price
		2WD	4WD	ROPS	CAB		
BRANSON®							
111789	3820/4220/4720		X	X		325	\$ 1,013.00
CASE IH®							
2200015	DX40/DX45		X		X	351	1,543.00
2200002	DX48/DX55	X	X	X		276	1,589.00
2200015	Farmall 45/50		X		X	351	1,543.00
2200031	Farmall 45A/55A	X	X	X		361	1,589.00
2200047	Farmall 50A/60A/70A		X	X		358	1,716.00
2200002	Farmall 55/60	X	X	X		276	1,589.00
FORD® & NEW HOLLAND®							
111758	1920	X	X	X		343	1,464.00
W111764	3230/3430/3930	X		X		236	1,319.00
2200015	Boomer 3040/3045/3050, 8N		X	X	X	351	1,543.00
2200015	T1530		X	X		351	1,543.00
2200015	T2310/T2320/T2330 with Super Steer Only		X	X		351	1,543.00
2200015	T2310/T2320/T2330 with or without Super Steer		X		X	351	1,543.00
2200002	T2410/T2420	X	X	X		276	1,589.00
2200015	TC35/TC35A/TC35D/TC35DA/TC40/TC40A/TC40D/TC40DA/TC45/TC45A/TC45D/TC45DA with Super Steer Only		X	X		351	1,543.00
2200015	TC40DA/TC45DA with or without Super Steer		X		X	351	1,543.00
2200002	TC48DA/TC55DA	X	X	X		276	1,589.00
2200011	TT45A/TT50A	X		X		340	1,589.00
2200031	Workmaster 45/55	X	X	X		361	1,589.00
2200047	Workmaster 50/60/70		X	X		358	1,716.00

Mount Kit Part No.	Tractor Brand / Model	Fits Tractor Type				Ship Wt. (lbs.)	Suggested List Price
		2WD	4WD	ROPS	CAB		
JOHN DEERE®							
W111742	870/970/1070 (with Power Steering Only)	X	X	X		275	\$ 1,243.00
W111742	990	X	X	X		275	1,243.00
211713	4120/4320/4520/4720	X	X	X		272	952.00
W111753	4500/4510/4600/4610/4700/4710	X	X	X		262	1,388.00
KIOTI®							
2200009	DK35SE		X	X		337	1,969.00
KUBOTA®							
W111739	L2550/L2850/L3250	X	X	X		359	1,388.00
W111739	L2650/L2950/L3450/L3650	X	X	X		359	1,388.00
W111761	L2900/L3300/L3600/L4200	X	X	X		384	1,756.00
W111761	L2900/L3300/L3600/L4200	X	X		X	384	1,756.00
W111761	L3010/L3410/L3710/L4310	X	X	X		384	1,756.00
W111761	L3010/L3410/L3710/L4310	X	X		X	384	1,756.00
W111771	L3130/L3430/L3830	X	X	X		310	1,171.00
2200004	L3240/L3540		X	X	X	220	883.00
W111771	L3430	X	X		X	310	1,171.00
2200004	L3940		X	X	X	220	883.00
2200003	L4240/L4740		X	X	X	347	1,135.00
W111772	L4330/L4630/L5030	X	X	X		313	1,171.00
W111772	L4330/L4630/L5030	X	X		X	313	1,171.00
211711	L4400	X	X	X		285	1,171.00
211711	L4600	X	X	X		285	1,171.00
W111769	L4610	X	X	X		355	1,388.00
W111769	L4610	X	X		X	355	1,388.00
2200003	L5040/L5240/L5740		X	X	X	347	1,135.00
W111769	MX5000	X	X	X		355	1,388.00
2200003	MX5100	X	X	X		347	1,135.00
MASSEY FERGUSON®							
2200023	2605/2615		X	X		441	1,929.00

Prices and specifications subject to change without notice.
 Prices effective January 1, 2021. Supersedes all previous pricing.
 Woods reserves the right to limit quantities and apply surcharges at any time.

Valve Kits – Loader Model LC108

Part No.	Description	Shipping Wt. (lbs.)	Suggested List Price
1023509	Joystick Valve Kit – 2500 psi relief – Direct Control, Series Regenerative	39	\$ 1,135.00
1023510	Joystick Valve Kit – 2500 psi relief – Fender Mount Cable Control, Series Regenerative	38	1,537.00
1023511	Joystick Valve Kit – 2500 psi relief – Direct Control, Series Regenerative – Complete for Kubota® L30 Series (includes hoses)	39	1,171.00
1023512	Joystick Valve Kit – 2500 psi relief – Direct Control, Series Regenerative	37	1,011.00
1023514	Joystick Valve Kit – 2500 psi relief – Direct Control, Series Regenerative	38	1,142.00
1023800	Joystick Valve Kit – 2500 psi relief – Direct Control, Series Regenerative – Tall	TBD	1,205.00

COMPACT SERIES LOADERS – HOSE KITS

SECTION 5

Hose Kits – Loader Model LC108

Part No.	Description	Shipping Wt. (lbs.)	Suggested List Price
1023528	Hose Kit – Power Beyond, Branson® 3820/4220/4720, reference 111789 mount kit	7	\$ 247.00
1023529	Hose Kit – Power Beyond, Case IH® and Ford® & New Holland® (see reference list)	6	222.00
1023535	Hose Kit – Power Beyond, Ford & New Holland and Kubota (see reference list)	8	293.00
1023538	Hose Kit – Power Beyond with Hydraulic Block, Ford & New Holland 3230/3430/3930, reference W111764 mount kit	21	511.00
1023542	Hose Kit – Power Beyond, John Deere® 870/970/1070/990 (requires JD #BM18010 hydraulic kit)	13	333.00
1023545	Hose Kit – Power Beyond, Kubota L2900/L3300/L3600/L4200, L3010/L3410/L3710/L4310/L4610 & Kioti® DK45/DK50	6	187.00
1023549	Hose Kit – Power Beyond, Kubota L2250 - L3650, reference W111739 mount kit	12	293.00
1023550	Hose Kit – Power Beyond, Kubota L3430/L4330/L4630/L5030 with Cab	11	293.00
1023613	Hose Kit – (4) 54" Hoses with couplers, Case IH and Ford & New Holland	9	222.00
1023615	Hose Kit – (4) 46" For John Deere 4000 series tractors (use with JD SCV valve)	7	293.00
1023616	Hose Kit – (4) 75" Hoses with couplers, John Deere 870/970/990/1070 (use with JD SCV valve)	10	333.00
1023625	Hose Kit – (4) 84" Connects loader feedlines to tractor remote couplers, reference 2200002 mount kit	10	149.00
1023626	Hose Kit – Power Beyond, Case IH and Ford & New Holland, reference 2200002 mount kit	10	157.00
1023627	Hose Kit – (4) 54" Hoses with couplers, Kubota, reference 2200003/2200004 mount kits	9	313.00
W1023996	Hose Kit – Kubota L3940, reference 2200004 mount kit	12	349.00
1024328	Hose Kit – Power Beyond, New Holland TT45A/TT50A, Workmaster 45/55 and Case IH Farmall 45A/55A, reference 2200011/2200031 mount kits	8	169.00
1025739	Hose Kit – (4) 60" Hoses with couplers, For Kioti DK35SE, reference 2200009 mount kit	10	391.00
1028835	Hose Kit – (4) 76" to connect to OEM loader valve, reference 2200003 mount kit.	14	443.00
1028847	Hose Kit – (4) 116" Connects loader feedlines to tractor remote couplers, reference W111764 mount kit	TBD	402.00
1029005	Hose Kit – Power Beyond, Kubota MX5100, reference 2200003 mount kit	6	187.00
1032897	Hose Kit – Massey Ferguson® 2605/2615, reference 2200023 mount kit	15	308.00
1042823	Hose Kit – (4) 54" Hoses with couplers, For Case IH Farmall 50A/60A/70A and New Holland Workmaster 50/60/70, reference 2200047 mount kit	11	313.00
1042824	Hose Kit – Case IH Farmall 50A/60A/70A and New Holland Workmaster 50/60/70, reference 2200047 mount kit	9	194.00

Hose Kits continued on next page.

Prices and specifications subject to change without notice.
 Prices effective January 1, 2021. Supersedes all previous pricing.
 Woods reserves the right to limit quantities and apply surcharges at any time.

Grill Guards – Loader Model LC108

Part No.	Description	Shipping Wt. (lbs.)	Suggested List Price
40988	Grill Guard – John Deere® 870/970/1070, 990 reference W111742 mount kit	43	\$ 149.00
46995	Grill Guard – Ford® & New Holland® 1920, reference 111758 mount kit	30	113.00
59738	Grill Guard – John Deere 4500/4510/4600/4610/4700/4710, reference W111753 mount kit	40	222.00
1001044	Grill Guard – Case IH® and Ford & New Holland, reference 2200015 mount kit	30	149.00
1001412	Grill Guard – Ford & New Holland 3230/3430/3930, reference W111764 mount kit	49	149.00
1002615	Grill Guard – Kubota®, reference W111739/W111761 mount kits	46	222.00
1004610	Grill Guard – Kubota L4610/MX5000, reference W111769 mount kit	55	222.00
1006492	Grill Guard – Kubota L-Series tractors, reference W111771/W111772/211711/2200004 mount kits	55	222.00
1007768	Grill Guard – Case IH and Ford & New Holland, reference 2200002 mount kit	24	187.00
1013487	Grill Guard – Branson® 3820/4220/4720, reference 111789 mount kit	38	175.00
1014864	Grill Guard – John Deere 4120/4320/4520/4720, reference 211713 mount kit	36	222.00
1018190	Grill Guard – Kubota L5040/L5240/L5740, reference 2200003 mount kit	39	217.00
1025236	Grill Guard – Kioti® DK35SE, reference 2200009 mount kit	39	279.00
1027854	Grill Guard – Kubota MX5100, reference 2200003 mount kit	54	239.00
1028289	Grill Guard – New Holland TT45A/TT50A, reference 2200011 mount kit	18	158.00
1029450	Grill Guard – Kubota L3940, L4240/L4740, reference 2200003/2200004 mount kits	77	383.00
1032895	Grill Guard – Massey Ferguson® 2605/2615 (4WD), reference 2200023 mount kit	28	204.00
1033140	Grill Guard – Case IH Farmall 45A/55A and New Holland Workmaster 45/55, reference 2200031 mount kit	33	187.00
1033670	Grill Guard – Kubota L4600, reference 211711 mount kit	61	239.00
1042826	Grill Guard – Case IH Farmall 50A/60A/70A and New Holland Workmaster 50/60/70, reference 2200047 mount kit	22	187.00

COMPACT SERIES LOADERS – MISCELLANEOUS

SECTION 7

Miscellaneous – Loader Model LC108

Part No.	Description	Shipping Wt. (lbs.)	Suggested List Price
1005093	Paint – Case of 12 Spray Cans – Red to match Case IH	13	\$ 173.00
1005095	Paint – Case of 12 Spray Cans – Blue to match New Holland Vibrant Blue	13	173.00
1005096	Paint – Case of 12 Spray Cans – Blue to match New Holland Ford Blue	13	173.00
1005097	Paint – Case of 12 Spray Cans – Orange to match Kubota	13	173.00
1005098	Paint – Case of 12 Spray Cans – Red to match Massey Ferguson	13	173.00
1024040	Rear Rail Kit – For Kubota L3240/L3540/L3940 (LC108 Loader only)	78	\$ 334.00

Prices and specifications subject to change without notice.
 Prices effective January 1, 2021. Supersedes all previous pricing.
 Woods reserves the right to limit quantities and apply surcharges at any time.

Tractor Notes – Loader Model LC108

1. Requires John Deere® Selective Control Valve (SCV) and Woods® hose kit to connect to tractor mid-remote couplers.
2. If tractor is equipped with John Deere BM18010 rear quick coupler kit, use Woods hose kit 1023542. If tractor is equipped with John Deere Selective Control Valve (SCV), use Woods hose kit 1023616.
3. Will not fit 3-cylinder tractors with 29 x 12.5 x 15 turf tires.
4. Grill guard required for LC108 Loader.
5. Recommend LC96 or LC102 Woods model loader on tractors without Super Steer®. LC108 Loader is required to fit tractors with Super Steer.
6. 2-function valve kit 1023511 includes all hoses and fittings to connect to tractor hydraulic system.
7. Tractors with Cab must be equipped with OEM loader valve and remote quick couplers.
8. Hose kit 1023625 for tractor remotes does not include quick couplers.
9. Tractor must be equipped with Kioti® mid-remote cable valve and couplers to use hose kit 1025739.
10. LC108 Loader requires 1024040 Rear Rail Kit to prevent damage to tractor or mounting kit. Refer to Miscellaneous section for pricing.

**PRICING DOES NOT INCLUDE
CURRENT SURCHARGE AMOUNT**

Prices and specifications subject to change without notice.
Prices effective January 1, 2021. Supersedes all previous pricing.
Woods reserves the right to limit quantities and apply surcharges at any time.

LC114 Features and Specifications

FEATURES:

- Curved loader boom
- Midmount loader boom attachment
- Fast D-Tach loader
- Parking stands – stored in loader boom cross tube
- Rod bucket level indicator
- 4-bar bucket linkage
- Manual tube on the loader boom cross tube
- Optional Quick Attach Coupler System
- 2-year warranty

SPECIFICATIONS:

- | | |
|--|---|
| Fits 30 – 50 hp tractors (2WD & FWA) | Breakout at 19.7 inches ahead of bucket pivot pins: 3400 lbs. |
| Lift height: 114 inches | Maximum digging depth: 5 inches |
| Lift cylinders: 2.48 inches; Bucket cylinders: 2.36 inches | Dump angle: 50 degrees |
| Lift capacity at bucket pins: 2400 lbs. | Roll back angle: 35 degrees |
| Lift capacity at 19.7 inches ahead of bucket pivot pins: 1950 lbs. | Reach: 32 inches |
| Breakout at bucket pins: 4600 lbs. | Pivot pins diameter: 1.25 inches |

To Order a Complete Loader Using the Woods® Quick Order System

- Find the tractor brand and model you are attempting to fit in the **Tractor/Loader Adaptability Chart**.
- Select the loader model you wish to price (each model belongs to a Loader Series, i.e., Compact Series).
- Go to the appropriate Loader Model **Quick Order** tab.
- Find the tractor brand / model you are fitting.
- Order loader frame.
- Order Quick Attachment Carrier System and quick attach bucket.
- Order completing kit.

Be sure to refer to the “Notes” column; Tractor Notes are found at the end of each tabbed section in the Loader price pages. Prices for each component are listed in the appropriate component section. If you have any questions, please contact Woods Dealer Services.

EXAMPLE

When ordering a loader to fit a Ford®-New Holland® tractor, model 3930 ROPS, do the following:

1. The Ford-New Holland 3930 ROPS tractor is fit by two Woods loader models: LC108 and LC114. (Reference Tractor/Loader Adaptability Chart.) We are selecting the LC114 model.
2. Flip to the LC114 **Quick Order** tab.
3. **Section 1** – Select tractor brand and model that the LC114 loader is to fit: Ford-New Holland 3930 ROPS.
 - a. Order the loader frame #2211443 (Blue to match Ford-New Holland).
 - b. Order the bucket #2270072 (72” quick attach bucket).
 - c. Order Quick Attach Coupler System #2350000.
 - d. Order the completing kit #111764D2. Completing kit includes loader mount, valve, hose kit and grill guard (if available). List price of complete loader is \$9,370; total weight is 921 lbs.

Prices and specifications subject to change without notice.
Prices effective January 1, 2021. Supersedes all previous pricing.
Woods reserves the right to limit quantities and apply surcharges at any time.

Unless noted, each "Loader Complete" STANDARD configuration includes loader, bucket, and completing kit (mount, hydraulics and grill guard, if grill guard is available). Any deviation from standard configuration will require ordering components individually.

Quick Order Section – Loader Model LC114

Tractor Brand / Model	Loader Pkg. Type	Fits Tractor Type				Loader Frame Color	Quick Order Part Numbers					Ship Wt. (lbs.)	Suggested List Price	Tractor Notes
		2WD	4WD	ROPS	CAB		LC114 Loader Frame	Bucket Width (in.)	Quick Attach. Coupler	QA Bucket	Completing Kit *			
CASE IH®														
DX48/DX55	QA	X	X	X		Red	2211442	72	2350000	2270072	2200002D2	921	\$ 9,323	
DX48/DX55	QA	X	X	X		Red	2211442	72	2350000	2270072	2200002H2	1231	8,178	3, 4
Farmall 45A/55A	QA	X	X	X		Red	2211442	66	2350000	2270066	2200031D	1313	9,262	
Farmall 50A/60A/70A	QA		X	X		Red	2211442	72	2350000	2270072	2200047D	921	9,491	
Farmall 55/60	QA	X	X	X		Red	2211442	66	2350000	2270066	2200002D2	905	9,252	
Farmall 55/60	QA	X	X	X		Red	2211442	66	2350000	2270066	2200002H2	1215	8,107	3, 4
FORD® & NEW HOLLAND®														
3230/3430/3930	QA	X		X		Fd-NH Blue	2211443	72	2350000	2270072	111764D2	921	9,370	
T2410/T2420	QA	X	X	X		Vibrant-NH Blue	2211447	66	2350000	2270066	2200002D2	905	9,252	
T2410/T2420	QA	X	X	X		Vibrant-NH Blue	2211447	66	2350000	2270066	2200002H2	1215	8,107	3, 4
TC48DA/TC55DA	QA	X	X	X		Vibrant-NH Blue	2211447	72	2350000	2270072	2200002D2	921	9,323	
TC48DA/TC55DA	QA	X	X	X		Vibrant-NH Blue	2211447	72	2350000	2270072	2200002H2	1231	8,178	3, 4
TT45A/TT50A	QA	X		X		Vibrant-NH Blue	2211447	66	2350000	2270066	2200011D2	905	9,236	
Workmaster 45/55	QA	X	X	X		Vibrant-NH Blue	2211447	66	2350000	2270066	2200031D	1313	9,262	
Workmaster 50/60/70	QA		X	X		Vibrant-NH Blue	2211447	72	2350000	2270072	2200047D	921	9,491	
JOHN DEERE®														
4120/4320/4520/4720	QA	X	X	X		Green	2211441	72	2350000	2270072	211713H1	TBD	7,723	1
KUBOTA®														
L4240/L4740	QA		X	X	X	Orange	2211444	72	2350000	2270072	2200003H2	1321	8,087	
L4330/L4630/L5030	QA	X	X	X		Orange	2211444	72	2350000	2270072	111772D1	921	8,816	2
L4330/L4630/L5030	QA	X	X		X	Orange	2211444	72	2350000	2270072	111772C1	921	9,477	
L5040/L5240/L5740	QA		X	X	X	Orange	2211444	72	2350000	2270072	2200003H3	1321	8,051	
MX5100	QA	X	X	X		Orange	2211444	72	2350000	2270072	2200003D2	921	8,951	
MASSEY FERGUSON®														
2605/2615	QA		X	X		Red	2211446	66	2350000	2270066	2200023D	905	9,635	

* Completing Kits that end in D* contain mounting kit, Woods Hydraulic Package (2-spool direct control valve and hose kit) and grill guard, if available.
 Completing Kits that end in C* contain mounting kit, Woods Hydraulic Package (2-spool cable control valve and hose kit) and grill guard, if available.
 Completing Kits that end in H or H* contain mounting kit, 4-hose kit (to connect loader to OEM remote valve) and grill guard, if available.

Prices and specifications subject to change without notice.
 Prices effective January 1, 2021. Supersedes all previous pricing.
 Woods reserves the right to limit quantities and apply surcharges at any time.

Unless noted, Completing Kits include Mount Kit, Woods® Hydraulic Package (or 4-Hose Kit for tractor remotes) and Grill Guard.

Completing Kits – Loader Model LC114

Tractor Brand / Model	Fits Tractor Type				Completing Kit Part No. **	Mount Kit	Woods Hydraulic Package		OR	4-Hose Kit	Grill Guard	Ship Wt. (lbs.)	Suggested List Price	Notes
	2WD	4WD	ROPS	CAB			2-Spool Valve Kit	Hoses for Loader Valve		Connects to OEM Valve or Remotes				
CASE IH®														
DX48/DX55	X	X	X		2200002D2	2200002	1023509	1023626		A	1007768	0	\$ 3,067	
DX48/DX55	X	X	X		2200002H2	2200002	A	A		1023625	1007768	310	1,922	3, 4
Farmall 45A/55A	X	X	X		2200031D	2200031	1023509	1024328		N/A	1033140	408	3,077	
Farmall 50A/60A/70A		X	X		2200047D	2200047	1023514	1042824		A	1042826	0	3,235	
Farmall 55/60	X	X	X		2200002D2	2200002	1023509	1023626		A	1007768	0	3,067	
Farmall 55/60	X	X	X		2200002H2	2200002	A	A		1023625	1007768	310	1,922	3, 4
FORD® & NEW HOLLAND®														
3230/3430/3930	X		X		111764D2	W111764	1023509	1023538		N/A	1001412	0	3,114	
T2410/T2420	X	X	X		2200002D2	2200002	1023509	1023626		A	1007768	0	3,067	
T2410/T2420	X	X	X		2200002H2	2200002	A	A		1023625	1007768	310	1,922	3, 4
TC48DA/TC55DA	X	X	X		2200002D2	2200002	1023509	1023626		A	1007768	0	3,067	
TC48DA/TC55DA	X	X	X		2200002H2	2200002	A	A		1023625	1007768	310	1,922	3, 4
TT45A/TT50A	X		X		2200011D2	2200011	1023509	1024328		N/A	1028289	0	3,051	
Workmaster 45/55	X	X	X		2200031D	2200031	1023509	1024328		N/A	1033140	408	3,077	
Workmaster 50/60/70		X	X		2200047D	2200047	1023514	1042824		A	1042826	0	3,235	
JOHN DEERE®														
4120/4320/4520/4720	X	X	X		211713H1	211713	N/A	N/A		1023615	1014864	0	1,467	1
KUBOTA®														
L4240/L4740		X	X	X	2200003H2	2200003	N/A	N/A		1023627	1029450	433	1,831	
L4330/L4630/L5030	X	X	X		111772D1	W111772	1023511	included w/valve		N/A	1006492	0	2,560	2
L4330/L4630/L5030	X	X		X	111772C1	W111772	1023510	1023550		N/A	1006492	0	3,221	
L5040/L5240/L5740		X	X	X	2200003H3	2200003	N/A	N/A		1028835	1018190	400	1,795	
MX5100	X	X	X		2200003D2	2200003	1023509	1029005		N/A	1027854	0	2,695	
MASSEY FERGUSON®														
2605/2615		X	X		2200023D	2200023	1023512	1032897		N/A	1032895	0	3,450	

** Completing Kits that end in D* contain mounting kit, Woods Hydraulic Package (2-spool direct control valve and hose kit) and grill guard, if available.
 Completing Kits that end in C* contain mounting kit, Woods Hydraulic Package (2-spool cable control valve and hose kit) and grill guard, if available.
 Completing Kits that end in H or H* contain mounting kit, 4-hose kit (to connect loader to OEM remote valve) and grill guard, if available.
 A = Available
 N/A = Not Available

Prices and specifications subject to change without notice.
 Prices effective January 1, 2021. Supersedes all previous pricing.
 Woods reserves the right to limit quantities and apply surcharges at any time.

Miscellaneous – Loader Model LC114

Part No.	Description	Shipping Wt. (lbs.)	Suggested List Price
1005093	Paint – Case of 12 Spray Cans – Red to match Case IH®	13	\$ 173.00
1005095	Paint – Case of 12 Spray Cans – Blue to match New Holland® Vibrant Blue	13	173.00
1005096	Paint – Case of 12 Spray Cans – Blue to match New Holland Ford® Blue	13	173.00
1005097	Paint – Case of 12 Spray Cans – Orange to match Kubota®	13	173.00
1005098	Paint – Case of 12 Spray Cans – Red to match Massey Ferguson®	13	173.00

COMPACT SERIES LOADERS – TRACTOR NOTES**SECTION 4****Tractor Notes – Loader Model LC114**

1. Requires John Deere® Selective Control Valve (SCV) and Woods® hose kit to connect to tractor mid-remote couplers.
2. 2-function valve kit 1023511 includes all hoses and fittings to connect to tractor hydraulic system.
3. Tractor must be equipped with OEM loader valve and remote quick couplers.
4. Hose kit 1023625 for tractor remotes does not include quick couplers.

PRICING DOES NOT INCLUDE CURRENT SURCHARGE AMOUNT

Prices and specifications subject to change without notice.
Prices effective January 1, 2021. Supersedes all previous pricing.
Woods reserves the right to limit quantities and apply surcharges at any time.

LC114 Features and Specifications

FEATURES:

- Curved loader boom
- Midmount loader boom attachment
- Fast D-Tach loader
- Parking stands – stored in loader boom cross tube
- Rod bucket level indicator
- 4-bar bucket linkage
- Manual tube on the loader boom cross tube
- Optional Quick Attach Coupler System
- 2-year warranty

SPECIFICATIONS:

- | | |
|--|---|
| Fits 30 – 50 hp tractors (2WD & FWA) | Breakout at 19.7 inches ahead of bucket pivot pins: 3400 lbs. |
| Lift height: 114 inches | Maximum digging depth: 5 inches |
| Lift cylinders: 2.48 inches; Bucket cylinders: 2.36 inches | Dump angle: 50 degrees |
| Lift capacity at bucket pins: 2400 lbs. | Roll back angle: 35 degrees |
| Lift capacity at 19.7 inches ahead of bucket pivot pins: 1950 lbs. | Reach: 32 inches |
| Breakout at bucket pins: 4600 lbs. | Pivot pins diameter: 1.25 inches |

To Order a Complete Loader by Ordering Individual Components

- Find the tractor brand and model you are attempting to fit in the **Tractor/Loader Adaptability Chart**.
- Select the loader model you wish to price (each model belongs to a Loader Series, i.e., Compact Series).
- Go to the appropriate Loader Model **Component Order** tab.
- Find the tractor brand / model you are fitting in the **Tractor Reference** section – part numbers needed to configure a loader are listed (except loader frame and bucket).
- Order loader frame.
- Order front-end attachment(s).
- Order mounting kit.
- Order valve kit.
- Order hose kit OR 4-hose kit to connect to OEM remote valve.
- Order grill guard.

Be sure to refer to the “Notes” column; Tractor Notes are found at the end of each tabbed section in the Loader price pages. Prices for each component are listed in the appropriate component section. If you have any questions, please contact Woods® Dealer Services.

EXAMPLE:

When ordering a loader to fit a Kubota® tractor, model L4630 CAB, do the following:

1. The Kubota L4630 CAB tractor is fit by two Woods loader models: LC108 and LC114. (Reference the Tractor/Loader Adaptability Chart.) Let's select the LC114.
2. Flip to the LC114 **Components** tab and go to the Tractor Reference Chart for components to order to complete the LC114 Loader.
 - a. **Section 1** – Order the loader frame #2211444 (Orange to match Kubota).
 - b. **Section 2** – Order the bucket #2270072 (72" quick attach bucket) and the Quick Attach Coupler System. Other front end attachments may be ordered within this section.
 - c. **Section 3** – Order the mounting kit #W111772.
 - d. **Section 4** – Order the valve kit #1023510.
 - e. **Section 5** – Order the hose kit #1023550 OR the 4-hose kit # (N/A).
 - f. **Section 6** – Order grill guard #1006492.

Prices and specifications subject to change without notice.
 Prices effective January 1, 2021. Supersedes all previous pricing.
 Woods reserves the right to limit quantities and apply surcharges at any time.

COMPACT SERIES LOADERS – MODEL LC114 TRACTOR REFERENCE CHART

Tractor Brand / Model	Fits Tractor Type				Mount Kit	Hydraulic Package		OR	4-Hose Kit	Grill Guard	OEM Mid-Mower Compat.	Tractor Notes
	2WD	4WD	ROPS	CAB		2-Spool Valve Kit	Hoses for Loader Valve		Connects to OEM Valve			
CASE IH®												
DX48/DX55	X	X	X		2200002	1023509	1023626		1023625	1007768		3, 4
Farmall 45A/55A	X	X	X		2200031	1023509	1024328		N/A	1033140		
Farmall 50A/60A/70A		X	X		2200047	1023514	1042824		1042823	1042826		
Farmall 55/60	X	X	X		2200002	1023509	1023626		1023625	1007768		3, 4
FORD® & NEW HOLLAND®												
3230/3430/3930	X		X		W111764	1023509	1023538		N/A	1001412		
T2410/T2420	X	X	X		2200002	1023509	1023626		1023625	1007768		3, 4
TC48DA/TC55DA	X	X	X		2200002	1023509	1023626		1023625	1007768		3, 4
TT45A/TT50A	X		X		2200011	1023509	1024328		N/A	1028289		
Workmaster 45/55	X	X	X		2200031	1023509	1024328		N/A	1033140		
Workmaster 50/60/70		X	X		2200047	1023514	1042824		1042823	1042826		
JOHN DEERE®												
4120/4320/4520/4720	X	X	X		211713	N/A	N/A		1023615	1014864		1
KUBOTA®												
L4240/L4740		X	X	X	2200003	N/A	N/A		1023627	1029450		
L4330/L4630/L5030	X	X	X		W111772	1023511	included w/valve		N/A	1006492		2
L4330/L4630/L5030	X	X	X		W111772	1023510	1023550		N/A	1006492		
L5040/L5240/L5740		X	X	X	2200003	N/A	N/A		1028835	1018190		
MX5100	X	X	X		2200003	1023509	1029005		N/A	1027854		
MASSEY FERGUSON®												
2605/2615		X	X		2200023	1023512	1032897		N/A	1032895		

Note: If listed, 4-hose kit for use with tractor remotes may be ordered instead of Woods® valve and hose kit for loader valve.

N/A = Not Available

Prices and specifications subject to change without notice.
 Prices effective January 1, 2021. Supersedes all previous pricing.
 Woods reserves the right to limit quantities and apply surcharges at any time.

Frames – Loader Model LC114

Part No.	Description	Shipping Wt. (lbs.)	Suggested List Price
2211440	Black (Universal)	TBD	\$ 4,441.00
2211441	Green to match John Deere®	TBD	4,441.00
2211442	Red to match Case IH®	563	4,441.00
2211443	Blue to match Ford® & New Holland®	563	4,441.00
2211444	Orange to match Kubota®	563	4,441.00
2211446	Red to match Massey Ferguson®	563	4,441.00
2211447	Vibrant Blue to match New Holland®	563	4,441.00
2211450	Red to match Mahindra®	TBD	4,441.00

COMPACT SERIES LOADERS – BUCKETS & FRONT-END ATTACHMENTS

SECTION 2

Buckets & Front End Attachments – Loader Model LC114

OPTIONAL BUCKETS – Compatible with Quick Attach Coupler System

Part No.	Width (in.)	Description	Capacity	Shipping Wt. (lbs.)	Suggested List Price	Qty. of 5 List Price *
2270066	66	Heavy-Duty Loader Bucket – Skid Steer Quick Attach	12.8 cu. ft.	258	\$ 1,064.00	—
2270072	72	Heavy-Duty Loader Bucket – Skid Steer Quick Attach	14.0 cu. ft.	274	1,135.00	—

Note: Loader buckets are punched for optional Bolt-on Cutting Edges.

OPTIONAL QUICK ATTACH COUPLER SYSTEM

2350000		Skid Steer (ISO 24410) Quick Attach Coupler System		84	\$ 680.00	—
---------	--	--	--	----	-----------	---

OPTIONAL BOLT-ON EDGES, TOOTHBARS AND TINE KIT

46383	66	Bolt-On Edge for 66" Buckets, includes hardware		50	\$ 175.00	—
46384	72	Bolt-On Edge for 72" Buckets, includes hardware		55	195.00	—
CETB655	65.25	Toothbar for 66" Buckets, includes hardware		77	511.00	—
CETB715	71.25	Toothbar for 72" Buckets, includes hardware		80	511.00	—
46380		Tine Kit for 66" & 72" Buckets, includes hardware (Must drill holes in bucket)		33	149.00	—

SKID STEER (ISO 24410) QUICK ATTACH SYSTEM COMPATIBLE ATTACHMENTS

1037170		BS3044S – Single Bale Spear with 2 Stabilizer Spikes	3000 lbs.	201	\$ 695.00	\$ 626.00
1037171		BS6044S – Double Bale Spear	6000 lbs.	223	845.00	761.00
1044700		BS4032S – Triple Bale Spear	4000 lbs.	275	950.00	855.00
1045980		PFW2242S – Pallet Fork with 42" Tines, Walk-thru Frame	2200 lbs.	328	1,056.00	950.00
1042551		PFW4442S – Pallet Fork with 42" Tines, Walk-thru Frame	4400 lbs.	380	1,147.00	1,032.00
1042552		PFW4448S – Pallet Fork with 48" Tines, Walk-thru Frame	4400 lbs.	380	1,165.00	1,049.00
1045940		PF4448S – Pallet Fork with 48" Tines, Full Frame	4400 lbs.	436	1,193.00	1,074.00

* Order 5+ units in any combination of bale spears or any combination of pallet forks to receive an additional 10% discount.

OPTIONAL WEIGHT BOX FOR THREE-POINT HITCH

1006124		Weight Box for Rear Ballast – Fits Category 1, 3-Point Hitch	6.0 cu. ft.	113	\$ 492.00	—
---------	--	--	-------------	-----	-----------	---

Prices and specifications subject to change without notice.
 Prices effective January 1, 2021. Supersedes all previous pricing.
 Woods reserves the right to limit quantities and apply surcharges at any time.

Mounting Kits – Loader Model LC114

Mount Kit Part No.	Tractor Brand / Model	Fits Tractor Type				Ship Wt. (lbs.)	Suggested List Price
		2WD	4WD	ROPS	CAB		
CASE IH®							
2200002	DX48/DX55	X	X	X		276	\$ 1,589.00
2200031	Farmall 45A/55A	X	X	X		361	1,589.00
2200047	Farmall 50A/60A/70A		X	X		358	1,716.00
2200002	Farmall 55/60	X	X	X		276	1,589.00
FORD® & NEW HOLLAND®							
W111764	3230/3430/3930	X		X		236	1,319.00
2200002	T2410/T2420	X	X	X		276	1,589.00
2200002	TC48DA/TC55DA	X	X	X		276	1,589.00
2200011	TT45A/TT50A	X		X		340	1,589.00
2200031	Workmaster 45/55	X	X	X		361	1,589.00
2200047	Workmaster 50/60/70		X	X		358	1,716.00

Mount Kit Part No.	Tractor Brand / Model	Fits Tractor Type				Ship Wt. (lbs.)	Suggested List Price
		2WD	4WD	ROPS	CAB		
JOHN DEERE®							
211713	4120/4320/4520/4720	X	X	X		272	\$ 952.00
KUBOTA®							
2200003	L4240/L4740		X	X	X	347	1,135.00
W111772	L4330/L4630/L5030	X	X	X		313	1,171.00
W111772	L4330/L4630/L5030	X	X		X	313	1,171.00
2200003	L5040/L5240/L5740		X	X	X	347	1,135.00
2200003	MX5100	X	X	X		347	1,135.00
MASSEY FERGUSON®							
2200023	2605/2615		X	X		441	1,929.00

COMPACT SERIES LOADERS – LOADER VALVE KITS

SECTION 4

Valve Kits – Loader Model LC114

Part No.	Description	Shipping Wt. (lbs.)	Suggested List Price
1023509	Joystick Valve Kit – 2500 psi relief – Direct Control, Series Regenerative	39	\$ 1,135.00
1023510	Joystick Valve Kit – 2500 psi relief – Fender Mount Cable Control, Series Regenerative	38	1,537.00
1023511	Joystick Valve Kit – 2500 psi relief – Direct Control, Series Regenerative – Complete for Kubota L30 Series (includes hoses)	39	1,171.00
1023512	Joystick Valve Kit – 2500 psi relief – Direct Control, Series Regenerative	37	1,011.00
1023514	Joystick Valve Kit – 2500 psi relief – Direct Control, Series Regenerative	38	1,142.00

Prices and specifications subject to change without notice.
 Prices effective January 1, 2021. Supersedes all previous pricing.
 Woods reserves the right to limit quantities and apply surcharges at any time.

Hose Kits – Loader Model LC114

Part No.	Description	Shipping Wt. (lbs.)	Suggested List Price
1023538	Hose Kit – Power Beyond with Hydraulic Block, Ford® & New Holland® 3230/3430/3930, reference W111764 mount kit	21	\$ 511.00
1023550	Hose Kit – Power Beyond, Kubota® L4330/L4630/L5030 with Cab, reference W111772 mount kit	11	293.00
1023615	Hose Kit – (4) 46" For John Deere® 4000 series tractors (use with JD SCV valve)	7	293.00
1023625	Hose Kit – (4) 84" Connects loader feedlines to tractor remote couplers, reference 2200002 mount kit	10	149.00
1023626	Hose Kit – Power Beyond, Case IH® and Ford & New Holland, reference 2200002 mount kit	10	157.00
1023627	Hose Kit – (4) 54" Connects loader feedlines to tractor remote couplers, reference 2200003 mount kit	9	313.00
1024328	Hose Kit – Power Beyond, New Holland TT45A/TT50A, Workmaster 45/55 and Case IH Farmall 45A/55A, reference 2200011/2200031 mount kits	8	169.00
1028835	Hose Kit – (4) 76" to connect to OEM loader valve, reference 2200003 mount kit.	14	443.00
1029005	Hose Kit – Power Beyond, Kubota MX5100, reference 2200003 mount kit	6	187.00
1032897	Hose Kit – Massey Ferguson® 2605/2615, reference 2200023 mount kit	15	308.00
1042823	Hose Kit – (4) 54" Hoses with couplers, For Case IH Farmall 50A/60A/70A and New Holland Workmaster 50/60/70, reference 2200047 mount kit	11	313.00
1042824	Hose Kit – Case IH Farmall 50A/60A/70A and New Holland Workmaster 50/60/70, reference 2200047 mount kit	9	194.00

COMPACT SERIES LOADERS – GRILL GUARDS

SECTION 6

Grill Guards – Loader Model LC114

Part No.	Description	Shipping Wt. (lbs.)	Suggested List Price
1001412	Grill Guard – Ford & New Holland 3230/3430/3930, reference W111764 mount kit	49	\$ 149.00
1006492	Grill Guard – Kubota L-Series tractors, reference W111772 mount kit	55	222.00
1007768	Grill Guard – Case IH and Ford & New Holland, reference 2200002 mount kit	24	187.00
1014864	Grill Guard – John Deere 4120/4320/4520/4720, reference 211713 mount kit	36	222.00
1018190	Grill Guard – Kubota L5040/L5240/L5740, reference 2200003 mount kit	39	217.00
1027854	Grill Guard – Kubota MX5100, reference 2200003 mount kit	54	239.00
1028289	Grill Guard – New Holland TT45A/TT50A, reference 2200011 mount kit	18	158.00
1029450	Grill Guard – Kubota L4240/L4740, reference 2200003 mount kit	77	383.00
1032895	Grill Guard – Massey Ferguson 2605/2615 (4WD), reference 2200023 mount kit	28	204.00
1033140	Grill Guard – Case IH Farmall 45A/55A and New Holland Workmaster 45/55, reference 2200031 mount kit	33	187.00
1042826	Grill Guard – Case IH Farmall 50A/60A/70A and New Holland Workmaster 50/60/70, reference 2200047 mount kit	22	187.00

Prices and specifications subject to change without notice.
 Prices effective January 1, 2021. Supersedes all previous pricing.
 Woods reserves the right to limit quantities and apply surcharges at any time.

Miscellaneous – Loader Model LC114

Part No.	Description	Shipping Wt. (lbs.)	Suggested List Price
1005093	Paint – Case of 12 Spray Cans – Red to match Case IH®	13	\$ 173.00
1005095	Paint – Case of 12 Spray Cans – Blue to match New Holland® Vibrant Blue	13	173.00
1005096	Paint – Case of 12 Spray Cans – Blue to match New Holland Ford® Blue	13	173.00
1005097	Paint – Case of 12 Spray Cans – Orange to match Kubota®	13	173.00
1005098	Paint – Case of 12 Spray Cans – Red to match Massey Ferguson®	13	173.00

COMPACT SERIES LOADERS – TRACTOR NOTES**SECTION 8****Tractor Notes – Loader Model LC114**

1. Requires John Deere® Selective Control Valve (SCV) and Woods® hose kit to connect to tractor mid-remote couplers.
2. 2-function valve kit 1023511 includes all hoses and fittings to connect to tractor hydraulic system.
3. Tractor must be equipped with OEM loader valve and remote quick couplers.
4. Hose kit 1023625 for tractor remotes does not include quick couplers.

PRICING DOES NOT INCLUDE CURRENT SURCHARGE AMOUNT

Prices and specifications subject to change without notice.
 Prices effective January 1, 2021. Supersedes all previous pricing.
 Woods reserves the right to limit quantities and apply surcharges at any time.

LU126 Features and Specifications

FEATURES:

- Curved loader boom
- Midmount loader boom attachment
- Fast D-Tach loader
- Parking stands – stored in loader boom cross tube
- Rod bucket level indicator
- 4-bar bucket linkage
- Manual tube on the loader boom cross tube
- Optional Quick Attach Coupler System
- Construction grade buckets
- 2-year warranty



SPECIFICATIONS:

- Fits 45 – 90 hp tractors (2WD & FWA)
- Lift height: 126 inches
- Lift cylinders: 2.48 inches; Bucket cylinders: 2.76 inches
- Lift capacity at bucket pins: 3000 lbs.
- Lift capacity at 31.5 inches ahead of bucket pivot pins: 1970 lbs.
- Capacities rated at 2750 psi

- Breakout at bucket pins: 4650 lbs.
- Breakout at 31.5 inches ahead of bucket pivot pins: 3250 lbs.
- Maximum digging depth: 5 inches
- Dump angle: 50 degrees
- Roll back angle: 35 degrees
- Reach at maximum height: 29 inches
- Pivot pins diameter: 1.25 inches

To Order a Complete Loader Using the Woods® Quick Order System

- Find the tractor brand and model you are attempting to fit in the **Tractor/Loader Adaptability Chart**.
- Select the loader model you wish to price (each model belongs to a Loader Series, i.e., Utility Series).
- Go to the appropriate Loader Model **Quick Order** tab.
- Find the tractor brand / model you are fitting.
- Order loader frame.
- Order Quick Attachment Carrier System and quick attach bucket.
- Order completing kit.

Be sure to refer to the “Notes” column; Tractor Notes are found at the end of each tabbed section in the Loader price pages. Prices for each component are listed in the appropriate component section. If you have any questions, please contact Woods Dealer Services.

EXAMPLE

When ordering a loader to fit a Case IH® tractor, model Farmall 65A 4WD ROPS, do the following:

1. The Case IH Farmall 65A 4WD ROPS tractor is fit by one Woods loader model: LU126. (Reference Tractor/Loader Adaptability Chart.)
2. Flip to the LU126 **Quick Order** tab.
3. **Section 1** – Select tractor brand and model that the LU126 loader is to fit: Case IH Farmall 65A 4WD ROPS.
 - a. Order the loader frame #2312652 (Red to match Case IH).
 - b. Order the bucket #2370072 (72” quick attach bucket).
 - c. Order Quick Attach Coupler System #2350000.
 - d. Order the completing kit #2300031D. Completing kit includes loader mount, valve, hose kit and grill guard (if available). List price of complete loader is \$10,529; total weight is 1184 lbs.

Prices and specifications subject to change without notice.
 Prices effective January 1, 2021. Supersedes all previous pricing.
 Woods reserves the right to limit quantities and apply surcharges at any time.

Unless noted, each "Loader Complete" STANDARD configuration includes loader, bucket, and completing kit (mount, hydraulics and grill guard, if grill guard is available). Any deviation from standard configuration will require ordering components individually.

Quick Order Section – Loader Model LU126

Tractor Brand / Model	Loader Pkg. Type	Fits Tractor Type				Loader Frame Color	Quick Order Part Numbers					Ship Wt. (lbs.)	Suggested List Price	Tractor Notes
		2WD	4WD	ROPS	CAB		LU126 Loader Frame	Bucket Width (in.)	Quick Attach. Coupler	QA Bucket	Completing Kit *			
CASE IH®														
385/395/485/495	QA	X	X	X		Red	2312652	72	2350000	2370072	111830D2	1620	\$ 10,203	18
454	QA	X		X		Red	2312652	72	2350000	2370072	111830D2	1620	10,203	18
464	QA	X		X		Red	2312652	72	2350000	2370072	111830D2	1620	10,203	18
484/84 Hydro	QA	X		X		Red	2312652	72	2350000	2370072	111830D2	1620	10,203	18
574/584/684	QA	X		X		Red	2312652	72	2350000	2370072	111830D3	TBD	9,979	18
585/380B	QA	X		X		Red	2312652	72	2350000	2370072	111830D2	1620	10,203	3, 18
674	QA	X		X		Red	2312652	72	2350000	2370072	111830D2	1620	10,203	18
3220	QA	X	X	X		Red	2312652	72	2350000	2370072	111830D2	1620	10,203	18
C50/C60	QA	X	X	X		Red	2312652	72	2350000	2370072	111830D2	1620	10,203	18
Farmall 65A/75A	QA	X	X	X		Red	2312652	72	2350000	2370072	2300031D	1184	10,529	
Farmall 70/80	QA	X	X	X	X	Red	2312652	72	2350000	2370072	2300013D	1184	10,751	21
Farmall 85/95	QA	X	X	X	X	Red	2312652	84	2350000	2370084	2300017D	1696	10,645	19, 21
Farmall 85C/95C (Except Tier IV)	QA	X	X	X		Red	2312652	84	2350000	2370084	2300016H	1701	9,519	20, 21
Farmall 85U/95U/105U	QA	X	X	X	X	Red	2312652	84	2350000	2370084	2300009H3	1227	9,513	20, 21
Farmall 90/95	QA	X	X	X	X	Red	2312652	84	2350000	2370084	2300014D	1759	10,861	19, 26
JX55/JX65/JX75/JX85 (Turbo & Non-Turbo versions)	QA	X	X	X	X	Red	2312652	72	2350000	2370072	111889C2	1828	11,338	12
JX60/JX70/JX80/JX90	QA	X	X	X	X	Red	2312652	72	2350000	2370072	111889C2	1828	11,338	
JX60/JX70/JX80/JX90	QA	X	X	X	X	Red	2312652	72	2350000	2370072	111889H2	TBD	9,981	
JX95	QA	X	X	X	X	Red	2312652	72	2350000	2370072	111890C2	1678	10,535	12
JX1060C/JX1070C/JX1075C	QA	X	X	X		Red	2312652	72	2350000	2370072	111897D2	1740	10,534	4, 11, 13
JX1060C/JX1070C/JX1075C	QA	X	X		X	Red	2312652	72	2350000	2370072	111897H2	1676	9,409	4, 11, 13
JX1080U	QA	X	X	X	X	Red	2312652	72	2350000	2370072	2300009H2	1589	9,362	14
JX1090U/JX1100U	QA	X	X	X	X	Red	2312652	72	2350000	2370072	2300009H2	1589	9,362	14
FORD® & NEW HOLLAND®														
2000/3000 (1968 & Later)	QA	X		X		Fd-NH Blue	2312653	72	2350000	2370072	111877D2	1703	10,420	10
2310/2610/3610	QA	X		X		Fd-NH Blue	2312653	72	2350000	2370072	111877D2	1703	10,420	10
2600/3600	QA	X		X		Fd-NH Blue	2312653	72	2350000	2370072	111877D2	1703	10,420	10
2810/2910/3910	QA	X		X		Fd-NH Blue	2312653	72	2350000	2370072	111877D2	1703	10,420	2, 10
2810/2910/3910	QA		X	X		Fd-NH Blue	2312653	72	2350000	2370072	111876D2	1620	10,235	9
3010S	QA	X	X	X		Fd-NH Blue	2312653	72	2350000	2370072	111878D2	1184	10,054	
3230/3430/3930/4630	QA	X	X	X		Fd-NH Blue	2312653	72	2350000	2370072	111876D2	1620	10,235	9
4000 AP/4100 AP	QA	X		X		Fd-NH Blue	2312653	72	2350000	2370072	111876D2	1620	10,235	9

- * Completing Kits that end in D/D2/D3 contain mounting kit, Woods Hydraulic Package (2-spool direct control valve and hose kit) and grill guard, if available.
- Completing Kits that end in C2 or C3 contain mounting kit, Woods Hydraulic Package (2-spool cable control valve and hose kit) and grill guard, if available.
- Completing Kits that end in H, H2 or H3 contain mounting kit, 4-hose kit (to connect loader to OEM remote valve) and grill guard, if available.
- Completing Kits that end in HM2 contain mounting kit, 4-hose kit (to connect loader to OEM midmount valve) and grill guard, if available.
- Completing Kits that end in HR2 contain mounting kit, 4-hose kit (to connect loader to tractor rear remotes) and grill guard, if available.

Prices and specifications subject to change without notice.
 Prices effective January 1, 2021. Supersedes all previous pricing.
 Woods reserves the right to limit quantities and apply surcharges at any time.

Unless noted, each “Loader Complete” STANDARD configuration includes loader, bucket, and completing kit (mount, hydraulics and grill guard, if grill guard is available). Any deviation from standard configuration will require ordering components individually.

Quick Order Section – Loader Model LU126 (Continued)

Tractor Brand / Model	Loader Pkg. Type	Fits Tractor Type				Loader Frame Color	Quick Order Part Numbers					Ship Wt. (lbs.)	Suggested List Price	Tractor Notes
		2WD	4WD	ROPS	CAB		LU126 Loader Frame	Bucket Width (in.)	Quick Attach. Coupler	QA Bucket	Completing Kit *			
FORD® & NEW HOLLAND® (Continued)														
4000 SU/4600 SU/4610 SU	QA	X		X		Fd-NH Blue	2312653	72	2350000	2370072	111877D2	1703	\$ 10,420	10
4100/4110	QA	X		X		Fd-NH Blue	2312653	72	2350000	2370072	111877D2	1703	10,420	10
4600 AP/4610 AP	QA	X		X		Fd-NH Blue	2312653	72	2350000	2370072	111876D2	1620	10,235	2, 9
4610	QA		X	X		Fd-NH Blue	2312653	72	2350000	2370072	111876D2	1620	10,235	9
4835/5635	QA	X	X		X	Fd-NH Blue	2312653	72	2350000	2370072	111834H2	1184	9,108	
5000 (1965 & Later)	QA	X		X		Fd-NH Blue	2312653	72	2350000	2370072	111875D2	1667	9,980	28
5600/5610/5900/6600/6610/6610S	QA	X		X		Fd-NH Blue	2312653	72	2350000	2370072	111875D2	1667	9,980	28
5610S	QA	X	X	X		Fd-NH Blue	2312653	72	2350000	2370072	111875D2	1667	9,980	
6635/7635	QA	X	X		X	Fd-NH Blue	2312653	72	2350000	2370072	111834H2	1184	9,108	
T4040/T4050 (Except Tier IV)	QA	X	X	X		Vib-NH Blue	2312657	84	2350000	2370084	2300016H	1701	9,519	20, 21
T5040/T5050/T5060/T5070	QA	X	X	X	X	Vib-NH Blue	2312657	84	2350000	2370084	2300009H3	1227	9,513	20, 21
TD75D/TD80D/TD90D	QA	X	X	X	X	Vib-NH Blue	2312657	72	2350000	2370072	111889C2	1828	11,338	
TD75D/TD80D/TD90D	QA	X	X	X	X	Vib-NH Blue	2312657	72	2350000	2370072	111889H2	TBD	9,981	12
TD95D	QA	X	X	X	X	Vib-NH Blue	2312657	72	2350000	2370072	111890C2	1678	10,535	
TD95D	QA	X	X	X	X	Vib-NH Blue	2312657	72	2350000	2370072	111890H2	TBD	9,181	12
TD5030	QA	X	X	X	X	Vib-NH Blue	2312657	72	2350000	2370072	2300013D	1184	10,751	21
TD5050 (Loader Ready)	QA	X	X	X	X	Vib-NH Blue	2312657	84	2350000	2370084	2300014D	1759	10,861	19, 26
TD5050	QA	X	X	X	X	Vib-NH Blue	2312657	84	2350000	2370084	2300017D	1696	10,645	19, 21
TL70/TL80	QA	X	X	X	X	Vib-NH Blue	2312657	72	2350000	2370072	111834H2	1184	9,108	
TL80A	QA	X	X	X	X	Vib-NH Blue	2312657	72	2350000	2370072	2300009H2	1589	9,362	15
TL90/TL100	QA	X	X	X	X	Vib-NH Blue	2312657	72	2350000	2370072	111834HR2	TBD	9,108	
TL90/TL100	QA	X	X	X	X	Vib-NH Blue	2312657	72	2350000	2370072	111834HM2	1184	9,058	
TL90A/TL100A	QA	X	X	X	X	Vib-NH Blue	2312657	72	2350000	2370072	2300009H2	1589	9,362	15
TN55/TN65/TN70/TN75	QA	X	X	X		Vib-NH Blue	2312657	72	2350000	2370072	111874D2	1184	10,167	11
TN55D/TN65D/TN70D/TN75D	QA	X	X		X	Vib-NH Blue	2312657	72	2350000	2370072	111897H2	1676	9,409	4, 11
TN60A/TN70A/TN75A	QA	X	X	X		Vib-NH Blue	2312657	72	2350000	2370072	111897D2	1740	10,534	11
TN60DA/TN70DA/TN75DA	QA	X	X		X	Vib-NH Blue	2312657	72	2350000	2370072	111897H2	1676	9,409	4, 11, 13
TT55	QA	X	X	X		Vib-NH Blue	2312657	72	2350000	2370072	111895D2	1184	10,643	
Workmaster 65/75	QA	X	X	X		Vib-NH Blue	2312657	72	2350000	2370072	2300031D	1184	10,529	
JOHN DEERE®														
820	QA	X		X		Green	2312651	72	2350000	2370072	111843D2	1184	9,832	
830/830 Orchard	QA	X		X		Green	2312651	72	2350000	2370072	111843D2	1184	9,832	
1020/1520/2020	QA	X		X		Green	2312651	72	2350000	2370072	111843D2	1184	9,832	1

* Completing Kits that end in D/D2/D3 contain mounting kit, Woods Hydraulic Package (2-spool direct control valve and hose kit) and grill guard, if available.
 Completing Kits that end in C2 or C3 contain mounting kit, Woods Hydraulic Package (2-spool cable control valve and hose kit) and grill guard, if available.
 Completing Kits that end in H, H2 or H3 contain mounting kit, 4-hose kit (to connect loader to OEM remote valve) and grill guard, if available.
 Completing Kits that end in HM2 contain mounting kit, 4-hose kit (to connect loader to OEM midmount valve) and grill guard, if available.
 Completing Kits that end in HR2 contain mounting kit, 4-hose kit (to connect loader to tractor rear remotes) and grill guard, if available.

Prices and specifications subject to change without notice.
 Prices effective January 1, 2021. Supersedes all previous pricing.
 Woods reserves the right to limit quantities and apply surcharges at any time.

Unless noted, each “Loader Complete” STANDARD configuration includes loader, bucket, and completing kit (mount, hydraulics and grill guard, if grill guard is available). Any deviation from standard configuration will require ordering components individually.

Quick Order Section – Loader Model LU126 (Continued)

Tractor Brand / Model	Loader Pkg. Type	Fits Tractor Type				Loader Frame Color	Quick Order Part Numbers					Ship Wt. (lbs.)	Suggested List Price	Tractor Notes
		2WD	4WD	ROPS	CAB		LU126 Loader Frame	Bucket Width (in.)	Quick Attach. Coupler	QA Bucket	Completing Kit *			
JOHN DEERE® (Continued)														
1530/1530 Orchard	QA	X		X		Green	2312651	72	2350000	2370072	111843D2	1184	\$ 9,832	1
2030/2630	QA	X		X		Green	2312651	72	2350000	2370072	111843D2	1184	9,832	1
2040 Orchard/2255 Orchard	QA	X		X		Green	2312651	72	2350000	2370072	111843D2	1184	9,832	1
2150/2155/2040	QA	X	X	X		Green	2312651	72	2350000	2370072	111843D2	1184	9,832	1
2240	QA	X	X	X		Green	2312651	72	2350000	2370072	111843D2	1184	9,832	1
2240 NO	QA	X		X		Green	2312651	72	2350000	2370072	111843D2	1184	9,832	
2350/2355/2550/2555	QA	X	X	X		Green	2312651	72	2350000	2370072	211823D2	1184	9,967	
2355 Narrow Orchard	QA	X		X		Green	2312651	72	2350000	2370072	111843D2	1184	9,832	1
2440/2440 Orchard/2640	QA	X		X		Green	2312651	72	2350000	2370072	111843D2	1184	9,832	1
5045E/5055E/5065E/5075E (Except Tier IV)	QA	X	X	X		Green	2312651	72	2350000	2370072	211815H	1629	9,113	27
5103/5203/5303	QA	X	X	X		Green	2312651	72	2350000	2370072	211815HR2	1184	9,218	5
5105/5205	QA	X	X	X		Green	2312651	72	2350000	2370072	211817H2	1184	8,932	16
5200/5210/5220/5300/5310/5320/5400	QA	X	X	X		Green	2312651	72	2350000	2370072	111850D2	1184	10,277	5, 23
5410/5420/5500/5510/5520	QA	X	X	X	X	Green	2312651	72	2350000	2370072	111863D2	1184	10,277	6, 7, 24
KUBOTA®														
M4700/M5400	QA	X	X	X		Orange	2312654	72	2350000	2370072	111871D2	1184	10,459	
M4800SU/M4900SU	QA	X	X	X		Orange	2312654	72	2350000	2370072	111880D2	1184	10,235	
M4900/M5700	QA	X	X	X		Orange	2312654	72	2350000	2370072	111880D2	1184	10,235	
M5040/M6040/M7040	QA	X	X	X		Orange	2312654	72	2350000	2370072	211832D2	1590	9,429	17
M5040/M6040/M7040	QA	X	X		X	Orange	2312654	72	2350000	2370072	211832C2	1184	9,584	17
M5640SU	QA	X	X	X		Orange	2312654	72	2350000	2370072	111880D3	TBD	10,264	
M6060/M7060	QA		X	X	X	Orange	2312654	84	2350000	2370084	211832H	TBD	8,458	22, 25
M8200/M9000	QA	X	X	X		Orange	2312654	72	2350000	2370072	111868D2	1184	10,494	
M8200/M9000	QA	X	X		X	Orange	2312654	72	2350000	2370072	111868C3	1809	10,935	
MAHINDRA®														
5500/6000/6500	QA	X		X		Red	2312660	72	2350000	2370072	211812D2	1184	10,577	15
MASSEY FERGUSON®														
240/253	QA		X	X		Red	2312656	72	2350000	2370072	111855D2	1184	10,020	8
271XE	QA	X		X		Red	2312656	72	2350000	2370072	111869D2	1184	10,313	
281XE	QA	X	X	X		Red	2312656	72	2350000	2370072	111869D2	1184	10,313	
471/481	QA	X	X	X		Red	2312656	72	2350000	2370072	111869D3	1784	10,394	

* Completing Kits that end in D/D2/D3 contain mounting kit, Woods Hydraulic Package (2-spool direct control valve and hose kit) and grill guard, if available.
 Completing Kits that end in C2 or C3 contain mounting kit, Woods Hydraulic Package (2-spool cable control valve and hose kit) and grill guard, if available.
 Completing Kits that end in H, H2 or H3 contain mounting kit, 4-hose kit (to connect loader to OEM remote valve) and grill guard, if available.
 Completing Kits that end in HM2 contain mounting kit, 4-hose kit (to connect loader to OEM midmount valve) and grill guard, if available.
 Completing Kits that end in HR2 contain mounting kit, 4-hose kit (to connect loader to tractor rear remotes) and grill guard, if available.

Prices and specifications subject to change without notice.
 Prices effective January 1, 2021. Supersedes all previous pricing.
 Woods reserves the right to limit quantities and apply surcharges at any time.

Unless noted, Completing Kits include Mount Kit, Woods® Hydraulic Package (or 4-Hose Kit for tractor midmount OEM valve or remotes) and Grill Guard, if grill guard is available.

Completing Kits – Loader Model LU126

Tractor Brand / Model	Fits Tractor Type				Completing Kit Part No. **	Mount Kit	Woods Hydraulic Package		OR	4-Hose Kit		Grill Guard	Ship Wt. (lbs.)	Suggested List Price	Notes
	2WD	4WD	ROPS	CAB			2-Spool Valve Kit	Hoses for Loader Valve		Connects to OEM Valve or Remotes					
CASE IH®															
385/395/485/495	X	X	X		111830D2	W111830	1028841	58029			57862	436	\$ 3,295	18	
454	X		X		111830D2	W111830	1028841	58029			57862	436	3,295	18	
464	X		X		111830D2	W111830	1028841	58029			57862	436	3,295	18	
484/84 Hydro	X		X		111830D2	W111830	1028841	58029			57862	436	3,295	18	
574/584/684	X		X		111830D3	W111830	1028841	58029			1019090	TBD	3,071	18	
585/380B	X		X		111830D2	W111830	1028841	58029			57862	436	3,295	3, 18	
674	X		X		111830D2	W111830	1028841	58029			57862	436	3,295	18	
3220	X	X	X		111830D2	W111830	1028841	58029			57862	436	3,295	18	
C50/C60	X	X	X		111830D2	W111830	1028841	58029			57862	436	3,295	18	
Farmall 65A/75A	X	X	X		2300031D	2300031	1028840	1024328			1018190	0	3,621		
Farmall 70/80	X	X	X	X	2300013D	2300013	1029710	1029713			1009274	0	3,843	21	
Farmall 85/95	X	X	X	X	2300017D	2300017	1029710	1029713			1009274	469	3,627	19, 21	
Farmall 85C/95C (Except Tier IV)	X	X	X		2300016H	2300016	N/A	N/A	1010460-MR		40448	474	2,501	20, 21	
Farmall 85U/95U/105U	X	X	X	X	2300009H3	2300009	N/A	N/A	1028835		1028908	0	2,495	20, 21	
Farmall 90/95	X	X	X	X	2300014D	2300014	1029710	1029713			1009274	532	3,843	19, 26	
JX55/JX65/JX75/JX85 (Turbo & Non-Turbo versions)	X	X	X	X	111889C2	W111889	1028842	1023579			1009274	644	4,430	12	
JX60/JX70/JX80/JX90	X	X	X	X	111889C2	W111889	1028842	1023579			1009274	644	4,430		
JX60/JX70/JX80/JX90	X	X	X	X	111889H2	W111889	N/A	N/A	58025		1009274	TBD	3,073	12	
JX95	X	X	X	X	111890C2	W111890	1028842	1023579			1009274	494	3,627	12	
JX1060C/JX1070C/JX1075C	X	X	X		111897D2	W111897	1028841	1023583			1012018	556	3,626	4, 11, 13	
JX1060C/JX1070C/JX1075C	X	X		X	111897H2	W111897	N/A	N/A	1010460-MR		1012018	492	2,501	4, 11, 13	
JX1080U	X	X	X	X	2300009H2	2300009	N/A	N/A	1028835-MR		1012018	405	2,454	14	
JX1090U/JX1100U	X	X	X	X	2300009H2	2300009	N/A	N/A	1028835-MR		1012018	405	2,454	14	
FORD® & NEW HOLLAND®															
2000/3000 (1968 & Later)	X		X		111877D2	111877	1028840	1023582			57913	519	3,512	10	
2310/2610/3610	X		X		111877D2	111877	1028840	1023582			57913	519	3,512	10	
2600/3600	X		X		111877D2	111877	1028840	1023582			57913	519	3,512	10	
2810/2910/3910	X		X		111877D2	111877	1028840	1023582			57913	519	3,512	2, 10	
2810/2910/3910		X	X		111876D2	111876	1028840	1023582			57864	436	3,327	9	
3010S	X	X	X		111878D2	111878	1028840	1023562			w/mount	0	3,146		
3230/3430/3930/4630	X	X	X		111876D2	111876	1028840	1023582			57864	436	3,327	9	
4000 AP/4100 AP	X		X		111876D2	111876	1028840	1023582			57864	436	3,327	9	

** Completing Kits that end in D/D2/D3 contain mounting kit, Woods Hydraulic Package (2-spool direct control valve and hose kit) and grill guard, if available.
 Completing Kits that end in C2 or C3 contain mounting kit, Woods Hydraulic Package (2-spool cable control valve and hose kit) and grill guard, if available.
 Completing Kits that end in H, H2 or H3 contain mounting kit, 4-hose kit (to connect loader to OEM remote valve) and grill guard, if available.
 Completing Kits that end in HM2 contain mounting kit, 4-hose kit (to connect loader to OEM midmount valve) and grill guard, if available.
 Completing Kits that end in HR2 contain mounting kit, 4-hose kit (to connect loader to tractor rear remotes) and grill guard, if available.

Prices and specifications subject to change without notice.
 Prices effective January 1, 2021. Supersedes all previous pricing.
 Woods reserves the right to limit quantities and apply surcharges at any time.

Unless noted, Completing Kits include Mount Kit, Woods® Hydraulic Package (or 4-Hose Kit for tractor midmount OEM valve or remotes) and Grill Guard, if grill guard is available.

Completing Kits – Loader Model LU126 (Continued)

Tractor Brand / Model	Fits Tractor Type				Completing Kit Part No. **	Mount Kit	Woods Hydraulic Package		OR	4-Hose Kit		Grill Guard	Ship Wt. (lbs.)	Suggested List Price	Notes
	2WD	4WD	ROPS	CAB			2-Spool Valve Kit	Hoses for Loader Valve		Connects to OEM Valve or Remotes					
FORD® & NEW HOLLAND® (Continued)															
4000 SU/4600 SU/4610 SU	X		X		111877D2	111877	1028840	1023582			57913	519	\$ 3,512	10	
4100/4110	X		X		111877D2	111877	1028840	1023582			57913	519	3,512	10	
4600 AP/4610 AP	X		X		111876D2	111876	1028840	1023582			57864	436	3,327	2, 9	
4610		X	X		111876D2	111876	1028840	1023582			57864	436	3,327	9	
4835/5635	X	X		X	111834H2	W111834	N/A	N/A		58025	40448	0	2,200		
5000 (1965 & Later)	X		X		111875D2	111875	1028841	1023567			1001412	483	3,072	28	
5600/5610/5900/6600/6610/6610S	X		X		111875D2	111875	1028841	1023567			1001412	483	3,072	28	
5610S	X	X	X		111875D2	111875	1028841	1023567			1001412	483	3,072		
6635/7635	X	X		X	111834H2	W111834	N/A	N/A		58025	40448	0	2,200		
T4040/T4050 (Except Tier IV)	X	X	X		2300016H	2300016	N/A	N/A		1010460-MR	40448	474	2,501	20, 21	
T5040/T5050/T5060/T5070	X	X	X	X	2300009H3	2300009	N/A	N/A		1028835	1028908	0	2,495	20, 21	
TD75D/TD80D/TD90D	X	X	X	X	111889C2	W111889	1028842	1023579			1009274	644	4,430		
TD75D/TD80D/TD90D	X	X	X	X	111889H2	W111889				58025	1009274	TBD	3,073	12	
TD95D	X	X	X	X	111890C2	W111890	1028842	1023579			1009274	494	3,627		
TD95D	X	X	X	X	111890H2	W111890				58025	1009274	TBD	2,273	12	
TD5030	X	X	X	X	2300013D	2300013	1029710	1029713			1009274	0	3,843	21	
TD5050 (Loader Ready)	X	X	X	X	2300014D	2300014	1029710	1029713			1009274	532	3,843	19, 26	
TD5050	X	X	X	X	2300017D	2300017	1029710	1029713			1009274	469	3,627	19, 21	
TL70/TL80	X	X	X	X	111834H2	W111834	N/A	N/A		58025	40448	0	2,200		
TL80A	X	X	X	X	2300009H2	2300009	N/A	N/A		1028835-MR	1012018	405	2,454	15	
TL90/TL100	X	X	X	X	111834HR2	W111834	N/A	N/A		58025-RR	40448	TBD	2,200		
TL90/TL100	X	X	X	X	111834HM2	W111834	N/A	N/A		44434-MR	40448	0	2,150		
TL90A/TL100A	X	X	X	X	2300009H2	2300009	N/A	N/A		1028835-MR	1012018	405	2,454	15	
TN55/TN65/TN70/TN75	X	X	X		111874D2	111874	1028841	1023583			40448	0	3,259	15	
TN55D/TN65D/TN70D/TN75D	X	X		X	111897H2	W111897	N/A	N/A		1010460-MR	1012018	492	2,501	4, 11	
TN60A/TN70A/TN75A	X	X	X		111897D2	W111897	1028841	1023583			1012018	556	3,626	11	
TN60DA/TN70DA/TN75DA	X	X		X	111897H2	W111897	N/A	N/A		1010460-MR	1012018	492	2,501	4, 11, 13	
TT55	X	X	X		111895D2	W111895	1028840	1023558			1012018	0	3,735		
Workmaster 65/75	X	X	X		2300031D	2300031	1028840	1024328			1018190	0	3,621		
JOHN DEERE®															
820	X		X		111843D2	W111843	1028841	1023564			N/A	0	2,924		
830/830 Orchard	X		X		111843D2	W111843	1028841	1023564			N/A	0	2,924		
1020/1520/2020	X		X		111843D2	W111843	1028841	1023564			N/A	0	2,924	1	

** Completing Kits that end in D/D2/D3 contain mounting kit, Woods Hydraulic Package (2-spool direct control valve and hose kit) and grill guard, if available.
 Completing Kits that end in C2 or C3 contain mounting kit, Woods Hydraulic Package (2-spool cable control valve and hose kit) and grill guard, if available.
 Completing Kits that end in H, H2 or H3 contain mounting kit, 4-hose kit (to connect loader to OEM remote valve) and grill guard, if available.
 Completing Kits that end in HM2 contain mounting kit, 4-hose kit (to connect loader to OEM midmount valve) and grill guard, if available.
 Completing Kits that end in HR2 contain mounting kit, 4-hose kit (to connect loader to tractor rear remotes) and grill guard, if available.

Prices and specifications subject to change without notice.
 Prices effective January 1, 2021. Supersedes all previous pricing.
 Woods reserves the right to limit quantities and apply surcharges at any time.

Unless noted, Completing Kits include Mount Kit, Woods® Hydraulic Package (or 4-Hose Kit for tractor midmount OEM valve or remotes) and Grill Guard, if grill guard is available.

Completing Kits – Loader Model LU126 (Continued)

Tractor Brand / Model	Fits Tractor Type				Completing Kit Part No. **	Mount Kit	Woods Hydraulic Package		OR	4-Hose Kit		Grill Guard	Ship Wt. (lbs.)	Suggested List Price	Notes
	2WD	4WD	ROPS	CAB			2-Spool Valve Kit	Hoses for Loader Valve		Connects to OEM Valve or Remotes					
JOHN DEERE® (Continued)															
1530/1530 Orchard	X		X		111843D2	W111843	1028841	1023564			N/A	0	\$ 2,924	1	
2030/2630	X		X		111843D2	W111843	1028841	1023564			N/A	0	2,924	1	
2040 Orchard/2255 Orchard	X		X		111843D2	W111843	1028841	1023564			N/A	0	2,924	1	
2150/2155/2040	X	X	X		111843D2	W111843	1028841	1023564			N/A	0	2,924	1	
2240	X	X	X		111843D2	W111843	1028841	1023564			N/A	0	2,924	1	
2240 NO	X		X		111843D2	W111843	1028841	1023564			N/A	0	2,924		
2350/2355/2550/2555	X	X	X		211823D2	211823	1028841	1023575			1018101	0	3,059		
2355 Narrow Orchard	X		X		111843D2	W111843	1028841	1023564			N/A	0	2,924	1	
2440/2440 Orchard/2640	X		X		111843D2	W111843	1028841	1023564			N/A	0	2,924	1	
5045E/5055E/5065E/5075E (Except Tier IV)	X	X	X		211815H	211815			1028989		1002763	445	2,205	27	
5103/5203/5303	X	X	X		211815HR2	211815			58025-RR		1002763	0	2,310	5	
5105/5205	X	X	X		211817H2	211817			1002877-MR		1002763	0	2,024	16	
5200/5210/5220/5300/5310/5320/5400	X	X	X		111850D2	W111850	1028841	1023557			1002763	0	3,369	5, 23	
5410/5420/5500/5510/5520	X	X	X	X	111863D2	W111863	1028841	1023557			1002763	0	3,369	6, 7, 24	
KUBOTA®															
M4700/M5400	X	X	X		111871D2	111871	1028840	1023589			57854	0	3,551		
M4800SU/M4900SU	X	X	X		111880D2	111880	1028840	1023589			57854	0	3,327		
M4900/M5700	X	X	X		111880D2	111880	1028840	1023589			57854	0	3,327		
M5040/M6040/M7040	X	X	X		211832D2	W211832	1028840	1022991			1018206	406	2,521		
M5040/M6040/M7040	X	X		X	211832C2	W211832	1028843	w/valve			1018206	0	2,676		
M5640SU	X	X	X		111880D3	111880	1028840	1030990			1018206	TBD	3,356		
M6060/M7060		X	X	X	211832H	W211832	N/A	N/A	1042870		1018206	TBD	1,440	22, 25	
M8200/M9000	X	X	X		111868D2	W111868	1028841	1023561			w/mount	0	3,586		
M8200/M9000	X	X		X	111868C3	W111868	1028845	1023556			w/mount	625	4,027		
MAHINDRA®															
5500/6000/6500	X		X		211812D2	211812	1028840	1023590			1012306	0	3,669	15	
MASSEY FERGUSON®															
240/253		X	X		111855D2	111855	1028841	1023566			N/A	0	3,112	8	
271XE	X		X		111869D2	W111869	1028840	1023591			1002860	0	3,405		
281XE	X	X	X		111869D2	W111869	1028840	1023591			1002860	0	3,405		
471/481	X	X	X		111869D3	W111869	1028841	1023591			1013347	600	3,486		

** Completing Kits that end in D/D2/D3 contain mounting kit, Woods Hydraulic Package (2-spool direct control valve and hose kit) and grill guard, if available.
 Completing Kits that end in C2 or C3 contain mounting kit, Woods Hydraulic Package (2-spool cable control valve and hose kit) and grill guard, if available.
 Completing Kits that end in H, H2 or H3 contain mounting kit, 4-hose kit (to connect loader to OEM remote valve) and grill guard, if available.
 Completing Kits that end in HM2 contain mounting kit, 4-hose kit (to connect loader to OEM midmount valve) and grill guard, if available.
 Completing Kits that end in HR2 contain mounting kit, 4-hose kit (to connect loader to tractor rear remotes) and grill guard, if available.

Prices and specifications subject to change without notice.
 Prices effective January 1, 2021. Supersedes all previous pricing.
 Woods reserves the right to limit quantities and apply surcharges at any time.

Miscellaneous – Loader Model LU126

Part No.	Description	Shipping Wt. (lbs.)	Suggested List Price
1005093	Paint – Case of 12 Spray Cans – Red to match Case IH®	13	\$ 173.00
1005095	Paint – Case of 12 Spray Cans – Blue to match New Holland® Vibrant Blue	13	173.00
1005096	Paint – Case of 12 Spray Cans – Blue to match New Holland Ford® Blue	13	173.00
1005097	Paint – Case of 12 Spray Cans – Orange to match Kubota®	13	173.00
1005098	Paint – Case of 12 Spray Cans – Red to match Massey Ferguson®	13	173.00

UTILITY SERIES LOADERS – TRACTOR NOTES

SECTION 4

Tractor Notes – Loader Model LU126

1. Hose kit 1023564 for open center hydraulics ONLY.
2. Fits Series I and II.
3. Does not fit with heavy-duty, I-beam front axle (585/595).
4. Use Case/New Holland joystick OEM valve.
5. John Deere® selective control valve (SCV) requires Woods hose kit 58025 to connect to tractor rear-remote couplers.
6. John Deere selective control valve (SCV) requires Woods hose kit 57924.
7. Fits 12.4 x 24 and smaller front tires.
8. Hose Kit 1023566 requires selector valve #TS300 from Tisco® or 1075120M92 from Massey Ferguson.
9. Does not fit tractors with swept-back front axles. For tractors with swept-back front axles use mounting kit 111877.
10. Does not fit tractors with straight front axles. For tractors with straight front axles use mounting kit 111876.
11. Does not fit tractors with Super Steer® or Orchard/Vineyard models.
12. Mount is compatible with OEM cable control valve kit, but additional fittings may be required.
13. Hose kit 1010460 requires OEM mid-remote loader valve.
14. Hose kit 1028835 may be used to connect to OEM mid-remote loader valve.
15. Grill guard can be used with or without optional front weight bracket.
16. Hose kit 1002877 connects to tractor mid-remote couplers, and requires John Deere Mid Selective Control Valve (SCV).
17. Hose kit 1028836 requires tractor mid-mount loader valve.
18. Hose kit 58029 requires one rear tractor remote valve to provide oil flow to the loader valve.
19. Tractor steering stop adjustment required for some tire sizes and front tread settings.
20. Requires OEM mid-mount loader control valve.
21. Not compatible with OEM “Loader Ready” mounting brackets.
22. Tractor must be equipped with vertical exhaust.
23. Tractors with Cab require valve kit 1028845 and hose kit 1023557 OR John Deere Selective Control Valve (SCV) and 4-hose kit.
24. Tractors with Cab, use Component Order pages to complete order.
25. Hose kit connects to OEM loader valve supplied with tractor.
26. Tractor must be equipped with OEM “Loader Ready” mounting brackets.
27. Hose kit 1028989 connects to tractor mid-remote couplers and requires John Deere Mid Selective Control Valve (SCV).
28. Not compatible with platform or row crop tractors.

Prices and specifications subject to change without notice.
 Prices effective January 1, 2021. Supersedes all previous pricing.
 Woods reserves the right to limit quantities and apply surcharges at any time.

LU126 Features and Specifications

FEATURES:

- Curved loader boom
- Midmount loader boom attachment
- Fast D-Tach loader
- Parking stands – stored in loader boom cross tube
- Rod bucket level indicator
- 4-bar bucket linkage
- Manual tube on the loader boom cross tube
- Optional Quick Attach Coupler System
- Construction grade buckets
- 2-year warranty

SPECIFICATIONS:

- Fits 45 – 90 hp tractors (2WD & FWA)
- Lift height: 126 inches
- Lift cylinders: 2.48 inches; Bucket cylinders: 2.76 inches
- Lift capacity at bucket pins: 3000 lbs.
- Lift capacity at 31.5 inches ahead of bucket pivot pins: 1970 lbs.
- Capacities rated at 2750 psi



- Breakout at bucket pins: 4650 lbs.
- Breakout at 31.5 inches ahead of bucket pivot pins: 3250 lbs.
- Maximum digging depth: 5 inches
- Dump angle: 50 degrees
- Roll back angle: 35 degrees
- Reach at maximum height: 29 inches
- Pivot pins diameter: 1.25 inches

To Order a Complete Loader by Ordering Individual Components

- Find the tractor brand and model you are attempting to fit in the **Tractor/Loader Adaptability Chart**.
- Select the loader model you wish to price (each model belongs to a Loader Series, i.e., Utility Series).
- Go to the appropriate Loader Model **Component Order** tab.
- Find the tractor brand / model you are fitting in the **Tractor Reference** section – part numbers needed to configure a loader are listed (except loader frame and bucket).
- Order loader frame.
- Order front-end attachment(s).
- Order mounting kit.
- Order valve kit.
- Order hose kit OR 4-hose kit to connect to OEM remote valve.
- Order grill guard.

Be sure to refer to the “Notes” column; Tractor Notes are found at the end of each tabbed section in the Loader price pages.

Prices for each component are listed in the appropriate component section.

If you have any questions, please contact Woods® Dealer Services.

EXAMPLE:

When ordering a loader to fit a Ford®-New Holland® tractor, model TN60A, do the following:

1. The Ford-New Holland TN60A tractor is fit by two Woods loader models: LU126 and LU132. (Reference the Tractor/Loader Adaptability Chart.) Let's select the LU126.
2. Flip to the LU126 **Components** tab and go to the Tractor Reference Chart for components to order to complete the LU126 Loader.
 - a. **Section 1** – Order the loader frame #2312657 (Vibrant Blue to match New Holland).
 - b. **Section 2** – Order the bucket #2370072 (72” quick attach bucket) and the Quick Attach Coupler System. Other front end attachments may be ordered within this section.
 - c. **Section 3** – Order the mounting kit #W111897.
 - d. **Section 4** – Order the valve kit #1028841.
 - e. **Section 5** – #1023583 included with valve OR the 4-hose kit #1010460 if using OEM loader valve.
 - f. **Section 6** – Order grill guard #1012018.

Prices and specifications subject to change without notice.
 Prices effective January 1, 2021. Supersedes all previous pricing.
 Woods reserves the right to limit quantities and apply surcharges at any time.

UTILITY SERIES LOADERS – MODEL LU126 TRACTOR REFERENCE CHART

Tractor Brand / Model	Fits Tractor Type				Mount Kit	Hydraulic Package		OR	4-Hose Kit	Grill Guard	Tractor Notes
	2WD	4WD	ROPS	CAB		2-Spool Valve Kit	Hoses for Loader Valve		Connects to OEM Valve		
CASE IH®											
385/395/485/495	X	X	X		W111830	1028841	58029		57924	57862	18
454	X		X		W111830	1028841	58029		57924	57862	18
464	X		X		W111830	1028841	58029		57924	57862	18
484/84 Hydro	X		X		W111830	1028841	58029		57924	57862	18
574/584/684	X		X		W111830	1028841	58029		57924	1019090	18
585/380B	X		X		W111830	1028841	58029		57924	57862	3, 18
674	X		X		W111830	1028841	58029		57924	57862	18
3220	X	X	X		W111830	1028841	58029		57924	57862	18
C50/C60	X	X	X		W111830	1028841	58029		57924	57862	18
Farmall 65A/75A	X	X	X		2300031	1028840	1024328		N/A	1018190	
Farmall 70/80	X	X	X	X	2300013	1029710	1029713		N/A	1009274	21
Farmall 85/95	X	X	X	X	2300017	1029710	1029713		N/A	1009274	19, 21
Farmall 85C/95C (Except Tier IV)	X	X	X		2300016	N/A	N/A		1010460-MR	40448	20, 21
Farmall 85U/95U/105U	X	X	X	X	2300009	N/A	N/A		1028835	1028908	20, 21
Farmall 90/95	X	X	X	X	2300014	1029710	1029713		N/A	1009274	19, 26
JX55/JX65/JX75/JX85 (Turbo & Non-Turbo versions)	X	X	X	X	W111889	1028842	1023579		58025	1009274	12
JX60/JX70/JX80/JX90	X	X	X	X	W111889	1028842	1023579		58025	1009274	12
JX95	X	X	X	X	W111890	1028842	1023579		58025	1009274	12
JX1060C/JX1070C/JX1075C	X	X	X		W111897	1028841	1023583		1010460-MR	1012018	4, 11, 13
JX1060C/JX1070C/JX1075C	X	X	X		W111897	N/A	N/A		1010460-MR	1012018	4, 11, 13
JX1080U	X	X	X	X	2300009	N/A	N/A		1028835	1012018	14
JX1090U/JX1100U	X	X	X	X	2300009	N/A	N/A		1028835	1012018	14
FORD® & NEW HOLLAND®											
2000/3000 (1968 & Later)	X		X		111877	1028840	1023582		57923	57913	10
2310/2610/3610	X		X		111877	1028840	1023582		57923	57913	10
2600/3600	X		X		111877	1028840	1023582		57923	57913	10
2810/2910/3910	X		X		111877	1028840	1023582		57923	57913	2, 10
2810/2910/3910		X	X		111876	1028840	1023582		57923	57864	9
3010S	X	X	X		111878	1028840	1023562		N/A	w/mount	
3230/3430/3930/4630	X	X	X		111876	1028840	1023582		57923	57864	9
4000 AP/4100 AP	X		X		111876	1028840	1023582		57923	57864	9
4000 SU/4600 SU/4610 SU	X		X		111877	1028840	1023582		57923	57913	10
4100/4110	X		X		111877	1028840	1023582		57923	57913	10
4600 AP/4610 AP	X		X		111876	1028840	1023582		57923	57864	2, 9
4610		X	X		111876	1028840	1023582		57923	57864	9
4835/5635	X	X		X	W111834	N/A	N/A		58025	40448	
5000 (1965 & Later)	X		X		111875	1028841	1023567		57923	1001412	28
5600/5610/5900/6600/6610/6610S	X		X		111875	1028841	1023567		57923	1001412	28
5610S	X	X	X		111875	1028841	1023567		57923	1001412	

Tractor Reference Chart continued on next page.

Note: If listed, 4-hose kit for use with tractor remotes may be ordered instead of Woods® valve and hose kit for loader valve.

Prices and specifications subject to change without notice.
 Prices effective January 1, 2021. Supersedes all previous pricing.
 Woods reserves the right to limit quantities and apply surcharges at any time.

UTILITY SERIES LOADERS – MODEL LU126 TRACTOR REFERENCE CHART (Continued)

Tractor Brand / Model	Fits Tractor Type				Mount Kit	Hydraulic Package		OR	4-Hose Kit		Tractor Notes
	2WD	4WD	ROPS	CAB		2-Spool Valve Kit	Hoses for Loader Valve		Connects to OEM Valve	Grill Guard	
FORD® & NEW HOLLAND® (Continued)											
6635/7635	X	X		X	W111834	N/A	N/A		58025	40448	
T4040/T4050 (Except Tier IV)	X	X	X		2300016	N/A	N/A		1010460-MR	40448	20, 21
T5040/T5050/T5060/T5070	X	X	X	X	2300009	N/A	N/A		1028835	1028908	20, 21
TD75D/TD80D/TD90D	X	X	X	X	W111889	1028842	1023579		58025	1009274	12
TD95D	X	X	X	X	W111890	1028842	1023579		58025	1009274	12
TD5030	X	X	X	X	2300013	1029710	1029713		N/A	1009274	21
TD5050 (Loader Ready)	X	X	X	X	2300014	1029710	1029713		N/A	1009274	19, 26
TD5050	X	X	X	X	2300017	1029710	1029713		N/A	1009274	19, 21
TL70/TL80	X	X	X	X	W111834	N/A	N/A		58025	40448	
TL80A	X	X	X	X	2300009	N/A	N/A		1028835	1012018	15
TL90/TL100	X	X	X	X	W111834	N/A	N/A		58025-RR, 44434-MR	40448	
TL90A/TL100A	X	X	X	X	2300009	N/A	N/A		1028835	1012018	15
TN55/TN65/TN70/TN75	X	X	X		111874	1028841	1023583		58025	40448	11
TN55D/TN65D/TN70D/TN75D	X	X		X	W111897	N/A	N/A		1010460-MR	1012018	4, 11
TN60A/TN70A/TN75A	X	X	X		W111897	1028841	1023583		1010460-MR	1012018	11
TN60DA/TN70DA/TN75DA	X	X		X	W111897	N/A	N/A		1010460-MR	1012018	4, 11, 13
TT55	X	X	X		W111895	1028840	1023558		57923	1012018	
Workmaster 65/75	X	X	X		2300031	1028840	1024328		N/A	1018190	
JOHN DEERE®											
820	X		X		W111843	1028841	1023564		57923	N/A	
830/830 Orchard	X		X		W111843	1028841	1023564		57923	N/A	
1020/1520/2020	X		X		W111843	1028841	1023564		57923	N/A	1
1530/1530 Orchard	X		X		W111843	1028841	1023564		57923	N/A	1
2030/2630	X		X		W111843	1028841	1023564		57923	N/A	1
2040 Orchard/2255 Orchard	X		X		W111843	1028841	1023564		57923	N/A	1
2150/2155/2040	X	X	X		W111843	1028841	1023564		57923	N/A	1
2240	X	X	X		W111843	1028841	1023564		57923	N/A	1
2240 NO	X		X		W111843	1028841	1023564		57923	N/A	
2350/2355/2550/2555	X	X	X		211823	1028841	1023575		N/A	1018101	
2355 Narrow Orchard	X		X		W111843	1028841	1023564		57923	N/A	1
2440/2440 Orchard/2640	X		X		W111843	1028841	1023564		57923	N/A	1
5045E/5055E/5065E/5075E (Except Tier IV)	X	X	X		211815	N/A	N/A		1028989	1002763	27
5103/5203/5303	X	X	X		211815	N/A	N/A		58025-RR	1002763	5
5105/5205	X	X	X		211817	N/A	N/A		1002877-RR	1002763	16
5200/5210/5220/5300/5310/5320/5400	X	X	X	X	W111850	1028841	1023557		58025-RR, 1002877-MR	1002763	5, 23
5410/5420/5500/5510/5520	X	X	X	X	W111863	1028841	1023557		57924-RR, 1002877-MR	1002763	6, 7

Tractor Reference Chart continued on next page.

Note: If listed, 4-hose kit for use with tractor remotes may be ordered instead of Woods® valve and hose kit for loader valve.

Prices and specifications subject to change without notice.
 Prices effective January 1, 2021. Supersedes all previous pricing.
 Woods reserves the right to limit quantities and apply surcharges at any time.

UTILITY SERIES LOADERS – MODEL LU126 TRACTOR REFERENCE CHART (Continued)

Tractor Brand / Model	Fits Tractor Type				Mount Kit	Hydraulic Package		OR	4-Hose Kit		Tractor Notes
	2WD	4WD	ROPS	CAB		2-Spool Valve Kit	Hoses for Loader Valve		Connects to OEM Valve	Grill Guard	
KUBOTA®											
M4700/M5400	X	X	X		111871	1028840	1023589		57923	57854	
M4800SU/M4900SU	X	X	X		111880	1028840	1023589		57923	57854	
M4900/M5700	X	X	X		111880	1028840	1023589		57923	57854	
M5040/M6040/M7040	X	X	X		W211832	1028840	1022991		1028836	1018206	17
M5040/M6040/M7040	X	X		X	W211832	1028843	included w/valve		1028836	1018206	17
M5640SU	X	X	X		111880	1028840	1030990		57923	1018206	
M6060/M7060		X	X	X	W211832	N/A	N/A		1042870	1018206	22, 25
M8200/M9000	X	X	X		W111868	1028841	1023561		W40542	w/mount	
M8200/M9000	X	X		X	W111868	1028845	1023556		W40542	w/mount	
MAHINDRA®											
5500/6000/6500	X		X		211812	1028840	1023590		N/A	1012306	15
MASSEY FERGUSON®											
240/253		X	X		111855	1028841	1023566		57924	N/A	8
271XE	X		X		W111869	1028840	1023591		1000529	1002860	
281XE	X	X	X		W111869	1028840	1023591		1000529	1002860	
471/481	X	X	X		W111869	1028841	1023591		N/A	1013347	

Note: If listed, 4-hose kit for use with tractor remotes may be ordered instead of Woods® valve and hose kit for loader valve.

Prices and specifications subject to change without notice.
 Prices effective January 1, 2021. Supersedes all previous pricing.
 Woods reserves the right to limit quantities and apply surcharges at any time.

Frames – Loader Model LU126

Part No.	Description	Shipping Wt. (lbs.)	Suggested List Price
2312650	Black (Universal)	723	\$ 4,874.00
2312651	Green to match John Deere®	723	4,874.00
2312652	Red to match Case IH®	723	4,874.00
2312653	Blue to match Ford® & New Holland®	723	4,874.00
2312654	Orange to match Kubota®	723	4,874.00
2312656	Red to match Massey Ferguson®	723	4,874.00
2312657	Vibrant Blue to match New Holland®	723	4,874.00
2312660	Red to match Mahindra®	723	4,874.00

UTILITY SERIES LOADERS – BUCKETS & FRONT-END ATTACHMENTS

SECTION 2

Buckets & Front End Attachments – Loader Model LU126

OPTIONAL BUCKETS – Compatible with Quick Attach Coupler System

Part No.	Width (in.)	Description	Capacity	Shipping Wt. (lbs.)	Suggested List Price	Qty. of 5 List Price *
2370072	72	Heavy-Duty Loader Bucket – Skid Steer Quick Attach	17.7 cu. ft.	377	\$ 1,354.00	—
2370084	84	Heavy-Duty Loader Bucket – Skid Steer Quick Attach	20.8 cu. ft.	420	1,464.00	—

Note: Loader buckets are punched for optional Bolt-on Cutting Edges.

OPTIONAL QUICK ATTACH COUPLER SYSTEM

2350000		Skid Steer (ISO 24410) Quick Attach Coupler System		84	\$ 680.00	—
---------	--	--	--	----	-----------	---

OPTIONAL BOLT-ON EDGES, TOOTHBARS AND TINE KITS

46384	72	Bolt-On Edge for 72" Buckets, includes hardware		55	\$ 195.00	—
46385	84	Bolt-On Edge for 84" Buckets, includes hardware		63	222.00	—
CETB715	71.25	Toothbar for 72" Buckets, includes hardware		80	511.00	—
CETB835	83.25	Toothbar for 84" Buckets, includes hardware		84	549.00	—
46380		Tine Kit for 72" Buckets, includes hardware (Must drill holes in bucket)		33	149.00	—

SKID STEER (ISO 24410) QUICK ATTACH SYSTEMS COMPATIBLE ATTACHMENTS

1037170		BS3044S – Single Bale Spear with 2 Stabilizer Spikes	3000 lbs.	201	\$ 695.00	\$ 626.00
1037171		BS6044S – Double Bale Spear	6000 lbs.	223	845.00	761.00
1044700		BS4032S – Triple Bale Spear	4000 lbs.	275	950.00	855.00
1042551		PFW4442S – Pallet Fork with 42" Tines, Walk-thru Frame	4400 lbs.	380	1,147.00	1,032.00
1042552		PFW4448S – Pallet Fork with 48" Tines, Walk-thru Frame	4400 lbs.	380	1,165.00	1,049.00
1045940		PF4448S – Pallet Fork with 48" Tines, Full Frame	4400 lbs.	436	1,193.00	1,074.00
1026750		AB720-2 – Angle Broom – 72" Sweeping Path, heavy-duty design (Alitec™ Discounts Apply)		922	7,261.00	—

* Order 5+ units in any combination of bale spears or any combination of pallet forks to receive an additional 10% discount.

OPTIONAL WEIGHT BOX FOR THREE-POINT HITCH

1006124		Weight Box for Rear Ballast – Fits Category 1, 3-Point Hitch	6.0 cu. ft.	113	\$ 492.00	—
---------	--	--	-------------	-----	-----------	---

Prices and specifications subject to change without notice.
 Prices effective January 1, 2021. Supersedes all previous pricing.
 Woods reserves the right to limit quantities and apply surcharges at any time.

Mounting Kits – Loader Model LU126

Mount Kit Part No.	Tractor Brand / Model	Fits Tractor Type				Ship Wt. (lbs.)	Suggested List Price
		2WD	4WD	ROPS	CAB		
CASE IH®							
W111830	385/395/485/495	X	X	X		326	\$ 1,394.00
W111830	454	X		X		326	1,394.00
W111830	464	X		X		326	1,394.00
W111830	484/84 Hydro	X		X		326	1,394.00
W111830	574/584/684	X		X		326	1,394.00
W111830	585/380B	X		X		326	1,394.00
W111830	674	X		X		326	1,394.00
W111830	3220	X	X	X		326	1,394.00
W111830	C50/C60	X	X	X		326	1,394.00
2300031	Farmall 65A/75A	X	X	X		357	2,066.00
2300013	Farmall 70/80	X	X	X	X	391	1,828.00
2300017	Farmall 85/95	X	X	X	X	370	1,609.00
2300016	Farmall 85C/95C (Except Tier IV)	X	X	X		418	1,828.00
2300009	Farmall 85U/95U/105U	X	X	X	X	364	1,828.00
2300014	Farmall 90/95	X	X	X	X	433	1,828.00
W111889	JX55/JX65/JX75/JX85 (Turbo and Non-Turbo versions)	X	X	X	X	541	2,411.00
W111889	JX60/JX70/JX80/JX90	X	X	X	X	541	2,411.00
W111890	JX95	X	X	X	X	391	1,609.00
W111897	JX1060C/JX1070C/JX1075C	X	X	X		449	1,828.00
W111897	JX1060C/JX1070C/JX1075C	X	X		X	449	1,828.00
2300009	JX1080U	X	X	X	X	364	1,828.00
2300009	JX1090U/JX1100U	X	X	X	X	364	1,828.00
FORD® & NEW HOLLAND®							
111877	2000/3000 (1968 & Later)	X		X		432	1,609.00
111877	2310/2610/3610	X		X		432	1,609.00
111877	2600/3600	X		X		432	1,609.00
111877	2810/2910/3910	X		X		432	1,609.00
111876	2810/2910/3910		X	X		354	1,464.00
111878	3010S	X	X	X		441	1,683.00
111876	3230/3430/3930/4630	X	X	X		354	1,464.00
111876	4000 AP/4100 AP	X		X		354	1,464.00
111877	4000 SU/4600 SU/4610 SU	X		X		432	1,609.00
111877	4100/4110	X		X		432	1,609.00
111876	4600 AP/4610 AP	X		X		354	1,464.00
111876	4610		X	X		354	1,464.00
W111834	4835/5635	X	X		X	403	1,537.00

Mount Kit Part No.	Tractor Brand / Model	Fits Tractor Type				Ship Wt. (lbs.)	Suggested List Price
		2WD	4WD	ROPS	CAB		
FORD & NEW HOLLAND (Continued)							
111875	5000 (1965 & Later)	X		X		356	\$ 1,464.00
111875	5600/5610/5900/6600/6610/6610S	X		X		356	1,464.00
111875	5610S	X	X	X		356	1,464.00
W111834	6635/7635	X	X		X	403	1,537.00
2300016	T4040/T4050 (Except Tier IV)	X	X	X		418	1,828.00
2300009	T5040/T5050/T5060/T5070	X	X	X	X	364	1,828.00
W111889	TD75D/TD80D/TD90D	X	X	X	X	541	2,411.00
W111890	TD95D	X	X	X	X	391	1,609.00
2300013	TD5030	X	X	X	X	391	1,828.00
2300014	TD5050 (Loader Ready)	X	X	X	X	433	1,828.00
2300017	TD5050	X	X	X	X	370	1,609.00
W111834	TL70/TL80	X	X	X	X	403	1,537.00
2300009	TL80A	X	X	X	X	364	1,828.00
W111834	TL90/TL100	X	X	X	X	403	1,537.00
2300009	TL90A/TL100A	X	X	X	X	364	1,828.00
111874	TN55/TN65/TN70/TN75	X	X	X		361	1,464.00
W111897	TN55D/TN65D/TN70D/TN75D	X	X		X	449	1,828.00
W111897	TN60A/TN70A/TN75A	X	X	X		449	1,828.00
W111897	TN60DA/TN70DA/TN75DA	X	X		X	449	1,828.00
W111895	TT55	X	X	X		450	3,735.00
2300031	Workmaster 65/75	X	X	X		357	2,066.00
JOHN DEERE®							
W111843	820	X		X		296	1,464.00
W111843	830/830 Orchard	X		X		296	1,464.00
W111843	1020/1520/2020	X		X		296	1,464.00
W111843	1530/1530 Orchard	X		X		296	1,464.00
W111843	2030/2630	X		X		296	1,464.00
W111843	2040 Orchard/2255 Orchard	X		X		296	1,464.00
W111843	2150/2155/2040	X	X	X		296	1,464.00
W111843	2240	X	X	X		296	1,464.00
W111843	2240 NO	X		X		296	1,464.00
211823	2350/2355/2550/2555	X	X	X		359	1,464.00
W111843	2355 Narrow Orchard	X		X		296	1,464.00
W111843	2440/2440 Orchard/2640	X		X		296	1,464.00
211815	5103/5203/5303	X	X	X		336	1,464.00
211817	5105/5205	X	X	X	X	330	1,394.00

Mounting Kits continued on next page.

Prices and specifications subject to change without notice.
 Prices effective January 1, 2021. Supersedes all previous pricing.
 Woods reserves the right to limit quantities and apply surcharges at any time.

Mounting Kits – Loader Model LU126 (Continued)

Mount Kit Part No.	Tractor Brand / Model	Fits Tractor Type				Ship Wt. (lbs.)	Suggested List Price
		2WD	4WD	ROPS	CAB		
JOHN DEERE® (Continued)							
W111850	5200/5210/5220/5300/5310/5320/5400	X	X	X	X	326	\$ 1,464.00
W111863	5410/5420/5500/5510/5520	X	X	X		367	1,464.00
211815	5045E/5055E/5065E/5075E (Except Tier IV)	X	X	X		336	1,464.00
KUBOTA®							
111871	M4700/M5400	X	X	X		344	1,756.00
111880	M4800SU/M4900SU	X	X	X		405	1,537.00
111880	M4900/M5700	X	X	X		405	1,537.00
W211832	M5040/M6040/M7040	X	X	X	X	307	750.00
111880	M5640SU	X	X	X		405	1,537.00
W211832	M6060/M7060		X	X	X	307	750.00
W111868	M8200/M9000	X	X	X		538	2,049.00
W111868	M8200/M9000	X	X		X	538	2,049.00

Mount Kit Part No.	Tractor Brand / Model	Fits Tractor Type				Ship Wt. (lbs.)	Suggested List Price
		2WD	4WD	ROPS	CAB		
MAHINDRA®							
211812	5500/6000/6500	X		X		567	\$ 2,049.00
MASSEY FERGUSON®							
111855	240/253		X	X		481	1,756.00
W111869	271XE	X		X		478	1,683.00
W111869	281XE	X	X	X		478	1,683.00
W111869	471/481	X	X	X		478	1,683.00

UTILITY SERIES LOADERS – LOADER VALVE KITS

SECTION 4

Valve Kits – Loader Model LU126

Part No.	Description	Shipping Wt. (lbs.)	Suggested List Price
1028840	Joystick Valve Kit – 2 function, 2500 psi relief – Direct Control, Series Regenerative	40	\$ 1,171.00
1028841	Joystick Valve Kit – 2 function, 2750 psi relief – Direct Control, Parallel	62	1,171.00
1028842	Joystick Valve Kit – 2 function, 2500 psi relief – Cable Control, Series Regenerative	58	1,609.00
1028843	Joystick Valve Kit – 2 function, 2500 psi relief – Cable Control, Series Regenerative (includes hoses)	51	1,609.00
1028844	Joystick Valve Kit – 2 function, 2750 psi relief – Cable Control, Parallel (includes hoses)	61	1,609.00
1028845	Joystick Valve Kit – 2 function, 2750 psi relief – Cable Control, Parallel	70	1,609.00
1029710	Joystick Valve Kit – 2 function, 2500 psi relief – Cable Control, Series Regenerative	51	1,609.00
1028722	Optional hydraulic self-level kit (maintains level position of bucket/attachment as loader is raised; no leveling as loader is lowered)	19	1,022.00
1032987	2-Spool Valve Kit	37	1,017.00

Prices and specifications subject to change without notice.
 Prices effective January 1, 2021. Supersedes all previous pricing.
 Woods reserves the right to limit quantities and apply surcharges at any time.

Hose Kits – Loader Model LU126

Part No.	Description	Shipping Wt. (lbs.)	Suggested List Price
W40542	Hose Kit – (4) 150" connects loader feedlines to tractor remote couplers	30	\$ 443.00
44434	Hose Kit – (4) 76" connects loader feedlines to tractor mid remote couplers	16	427.00
57923	Hose Kit – (4) 120" connects loader feedlines to tractor rear remote couplers	25	402.00
57924	Hose Kit – (4) 150" connects loader feedlines to tractor remote couplers	31	443.00
58025	Hose Kit – (4) 150" connects loader feedlines to tractor remote couplers	32	479.00
58029	Hose Kit – (2) 120" w/check valve, connects loader valve to tractor remote couplers	16	479.00
1000529	Hose Kit – (4) 150" connects loader feedlines to tractor rear remote couplers	TBD	402.00
1002877	Hose Kit – (4) 60" for Mid Tractor remotes	16	293.00
1010460	Hose Kit – (4) 76" Case IH® and Ford® & New Holland®, reference W111897/2300016 mount kits	16	489.00
1022991	Hose Kit – Power Beyond, Kubota® M5040/M6040/M7040, reference W211832 mount kit	9	288.00
1023556	Hose Kit – Power Beyond, Kubota M8200/M9000 with cab, reference W111868 mount kit	17	369.00
1023557	Hose Kit – Power Beyond, John Deere® 5000 Series, reference W111850/W111863 mount kits	19	369.00
1023558	Hose Kit – Power Beyond, New Holland TT55, reference W111895 mount kit	12	333.00
1023561	Hose Kit – Power Beyond, Kubota M8200/M9000 without cab, reference W111868 mount kit	14	369.00
1023562	Hose Kit – Power Beyond, Ford & New Holland 3010S, reference 111878 mount kit	11	293.00
1023564	Hose Kit – Power Beyond, John Deere 820 thru 2640, reference W111843 mount kit	7	293.00
1023566	Hose Kit – (2) 80" Massey Ferguson® 240/253, fits with MF Selector Valves, reference 111855 mount kit	7	187.00
1023567	Hose Kit – (2) 120", Ford & New Holland 5000, 5600/5610/5900/6600/6610/6610S, 5610S, reference 111875 mount kit	12	293.00
1023575	Hose Kit – Closed Center, John Deere 2350/2355/2550/2555, reference 211823 mount kit	15	222.00
1023579	Hose Kit – Power Beyond, Case IH and Ford & New Holland, reference W111889/W111890 mount kits	6	222.00
1023582	Hose Kit – Power Beyond with Hydraulic Block, Ford & New Holland, reference 111876/111877 mount kits	22	511.00
1023583	Hose Kit – Power Beyond, Case IH and Ford & New Holland, reference 111874/W111897 mount kits	18	443.00
1023589	Hose Kit – Power Beyond, Kubota M4700/M5400, M4800SU/M4900SU, M4900/M5700 without cab, reference 111871/111880 mount kits	10	402.00
1023590	Hose Kit – Power Beyond, Mahindra® 5500/6000/6500, reference 211812 mount kit	6	187.00
1023591	Hose Kit – Power Beyond, Massey Ferguson 271XE/281XE, 471/481, reference W111869 mount kit	16	369.00
1024328	Hose Kit – Power Beyond, Case IH Farmall and Ford & New Holland, reference 2300031 mount kit	8	169.00
1028835	Hose Kit – (4) 76" Case IH and Ford & New Holland to connect to OEM loader valve (mid-remotes), reference 2300003/2300009 mount kits	14	443.00
1028836	Hose Kit – (4) 74" connects loader feedlines to OEM mid-mount valve	TBD	402.00
1028989	Hose Kit – John Deere 5045E/5055E/5065E/5075E, reference 211815 mount kit	10	293.00
1029713	Hose Kit – (3) 66" Case IH and New Holland, reference 2300013/2300014/2300017 mount kits	9	222.00
1030990	Hose Kit – Power Beyond, Kubota M5640SU, reference 111880 mount kit	TBD	333.00
1042870	Hose Kit – Kubota M6060/M7060, reference W211832 mount kit	TBD	372.00

Prices and specifications subject to change without notice.
 Prices effective January 1, 2021. Supersedes all previous pricing.
 Woods reserves the right to limit quantities and apply surcharges at any time.

Grill Guards – Loader Model LU126

Part No.	Description	Shipping Wt. (lbs.)	Suggested List Price
40448	Grill Guard – Case IH® and Ford® & New Holland®, reference W111834/111874/2300016 mount kits	40	\$ 187.00
57854	Grill Guard – Kubota®, reference 111871/111880 mount kits	37	222.00
57862	Grill Guard – Case IH, reference W111830 mount kit	32	187.00
57864	Grill Guard – Ford & New Holland, reference 111876 mount kit	20	187.00
57913	Grill Guard – Ford & New Holland, reference 111877 mount kit	25	222.00
1001412	Grill Guard – Ford & New Holland, reference 111875 mount kit	49	149.00
1002763	Grill Guard – John Deere®, reference W111850/W111863/211815/211817 mount kits	99	369.00
1002860	Grill Guard – Massey Ferguson®, reference W111869 mount kit	56	187.00
1009274	Grill Guard – Case IH and Ford & New Holland, reference W111889/W111890/2300013/2300014/2300017 mount kits	39	187.00
1012018	Grill Guard – Case IH and Ford & New Holland, reference W111895/W111897/2300009 mount kits	27	187.00
1012306	Grill Guard – Mahindra® 5500/6000/6500 2WD, reference 211812 mount kit	45	267.00
1013347	Grill Guard – Massey Ferguson 471/481, reference W111869 mount kit	44	267.00
1018101	Grill Guard – John Deere 2350/2355/2550/2555, reference 211823 mount kit	42	205.00
1018190	Grill Guard – Case IH Farmall and Ford & New Holland, reference 2300031 mount kit	39	217.00
1018206	Grill Guard – Kubota M5040/M6040/M7040, M5640SU, M6060/M7060, reference 111880/W211832 mount kits	49	319.00
1019090	Grill Guard – Case IH 574/584/684, reference W111830 mount kit	TBD	244.00
1028908	Grill Guard – Case IH Farmall 85U/95U/105U, New Holland T5040/T5050/T5060/T5070, reference 2300009 mount kit	64	227.00

UTILITY SERIES LOADERS – MISCELLANEOUS

SECTION 7

Miscellaneous – Loader Model LU126

Part No.	Description	Shipping Wt. (lbs.)	Suggested List Price
1005093	Paint – Case of 12 Spray Cans – Red to match Case IH	13	\$ 173.00
1005095	Paint – Case of 12 Spray Cans – Blue to match New Holland Vibrant Blue	13	173.00
1005096	Paint – Case of 12 Spray Cans – Blue to match New Holland Ford Blue	13	173.00
1005097	Paint – Case of 12 Spray Cans – Orange to match Kubota	13	173.00
1005098	Paint – Case of 12 Spray Cans – Red to match Massey Ferguson	13	173.00

Prices and specifications subject to change without notice.
 Prices effective January 1, 2021. Supersedes all previous pricing.
 Woods reserves the right to limit quantities and apply surcharges at any time.

Tractor Notes – Loader Model LU126

1. Hose kit 1023564 for open center hydraulics ONLY.
2. Fits Series I and II.
3. Does not fit with heavy-duty, I-beam front axle (585/595).
4. Use Case/New Holland® joystick OEM valve.
5. John Deere® selective control valve (SCV) requires Woods hose kit 58025 to connect to tractor rear-remote couplers.
6. John Deere selective control valve (SCV) requires Woods hose kit 57924.
7. Fits 12.4 x 24 and smaller front tires.
8. Hose Kit 1023566 requires selector valve #TS300 from Tisco® or 1075120M92 from Massey Ferguson®.
9. Does not fit tractors with swept-back front axles. For tractors with swept-back front axles use mounting kit 111877.
10. Does not fit tractors with straight front axles. For tractors with straight front axles use mounting kit 111876.
11. Does not fit tractors with Super Steer® or Orchard/Vineyard models.
12. Mount is compatible with OEM cable control valve kit, but additional fittings may be required.
13. Hose kit 1010460 requires OEM mid-remote loader valve.
14. Hose kit 1028835 may be used to connect to OEM mid-remote loader valve.
15. Grill guard can be used with or without optional front weight bracket.
16. Hose kit 1002877 connects to tractor mid-remote couplers, and requires John Deere Mid Selective Control Valve (SCV).
17. Hose kit 1028836 requires tractor mid-mount loader valve.
18. Hose kit 58029 requires one rear tractor remote valve to provide oil flow to the loader valve.
19. Tractor steering stop adjustment required for some tire sizes and front tread settings.
20. Requires OEM mid-mount loader control valve.
21. Not compatible with OEM “Loader Ready” mounting brackets.
22. Tractor must be equipped with vertical exhaust.
23. Tractors with Cab require valve kit 1028845 and hose kit 1023557 OR John Deere Selective Control Valve (SCV) and 4-hose kit.
24. Tractors with Cab, use Component Order pages to complete order.
25. Hose kit connects to OEM loader valve supplied with tractor.
26. Tractor must be equipped with OEM “Loader Ready” mounting brackets.
27. Hose kit 1028989 connects to tractor mid-remote couplers and requires John Deere Mid Selective Control Valve (SCV).
28. Not compatible with platform or row crop tractors.

Prices and specifications subject to change without notice.
Prices effective January 1, 2021. Supersedes all previous pricing.
Woods reserves the right to limit quantities and apply surcharges at any time.

LU132 Features and Specifications

FEATURES:

- Curved loader boom
- Midmount loader boom attachment
- Fast D-Tach loader
- Parking stands – stored in loader boom cross tube
- Rod bucket level indicator
- 4-bar bucket linkage
- Manual tube on the loader boom cross tube
- Optional Quick Attach Coupler System
- 2-year warranty



SPECIFICATIONS:

- | | |
|--|---|
| <ul style="list-style-type: none"> Fits 45 – 90 hp tractors (2WD & FWA) Lift height: 132 inches Lift cylinders: 2.76 inches; Bucket cylinders: 2.76 inches Lift capacity at bucket pins: 3500 lbs. Lift capacity at 31.5 inches ahead of bucket pivot pins: 2400 lbs. Capacities rated at 2750 psi | <ul style="list-style-type: none"> Breakout at bucket pins: 5000 lbs. Breakout at 31.5 inches ahead of bucket pivot pins: 3800 lbs. Maximum digging depth: 5 inches Dump angle: 50 degrees Roll back angle: 35 degrees Reach at maximum height: 31 inches Pivot pins diameter: 1.25 inches |
|--|---|

To Order a Complete Loader Using the Woods® Quick Order System

- Find the tractor brand and model you are attempting to fit in the **Tractor/Loader Adaptability Chart**.
- Select the loader model you wish to price (each model belongs to a Loader Series, i.e., Utility Series).
- Go to the appropriate Loader Model **Quick Order** tab.
- Find the tractor brand / model you are fitting.
- Order loader frame.
- Order Quick Attachment Carrier System and quick attach bucket.
- Order completing kit.

Be sure to refer to the “Notes” column; Tractor Notes are found at the end of each tabbed section in the Loader price pages. Prices for each component are listed in the appropriate component section. If you have any questions, please contact Woods Dealer Services.

EXAMPLE

When ordering a loader to fit a Case-IH® tractor, model Farmall 90/95 4WD CAB, do the following:

1. The Case IH Farmall 90/95 4WD CAB, is fit by two Woods loader models: LU126 and LU132. (Reference Tractor/Loader Adaptability Chart.) We are selecting the LU132 model.
2. Flip to the LU132 **Quick Order** tab.
3. **Section 1** – Select tractor brand and model that the LU132 loader is to fit: Case IH Farmall 90/95 4WD CAB.
 - a. Order the loader frame #2313252 (Red to match Case IH).
 - b. Order the bucket #2370084 (84” quick attach bucket).
 - c. Order Quick Attach Coupler System #2350000.
 - d. Order the completing kit #2300014D. Completing kit includes loader mount, valve, hose kit and grill guard (if available). List price of complete loader is \$11,579; total weight is 1789 lbs.

Prices and specifications subject to change without notice.
 Prices effective January 1, 2021. Supersedes all previous pricing.
 Woods reserves the right to limit quantities and apply surcharges at any time.

Unless noted, each "Loader Complete" STANDARD configuration includes loader, bucket, and completing kit (mount, hydraulics and grill guard, if grill guard is available). Any deviation from standard configuration will require ordering components individually.

Quick Order Section – Loader Model LU132

Tractor Brand / Model	Loader Pkg. Type	Fits Tractor Type				Loader Frame Color	Quick Order Part Numbers					Ship Wt. (lbs.)	Suggested List Price	Tractor Notes
		2WD	4WD	ROPS	CAB		LU132 Loader Frame	Bucket Width (in.)	Quick Attach. Coupler	QA Bucket	Completing Kit *			
CASE IH®														
Farmall 70/80	QA	X	X	X	X	Red	2313252	72	2350000	2370072	2300013D	1214	\$ 11,469	10
Farmall 85/95	QA	X	X	X	X	Red	2313252	84	2350000	2370084	2300017D	1726	11,363	8, 10
Farmall 85C/95C (Except Tier IV)	QA	X	X	X		Red	2313252	84	2350000	2370084	2300016H	1731	10,237	9, 10
Farmall 85U/95U/105U	QA	X	X	X	X	Red	2313252	84	2350000	2370084	2300009H3	1257	10,231	9, 10
Farmall 90/95	QA	X	X	X	X	Red	2313252	84	2350000	2370084	2300014D	1789	11,579	8, 13
JX75/JX85	QA		X	X	X	Red	2313252	72	2350000	2370072	111889C2	1858	12,056	3
JX80/JX90	QA	X	X	X	X	Red	2313252	72	2350000	2370072	111889C2	1858	12,056	
JX80/JX90	QA	X	X	X	X	Red	2313252	72	2350000	2370072	111889H2	TBD	10,699	3
JX95	QA		X	X	X	Red	2313252	72	2350000	2370072	111890C2	1708	11,253	3
JX1060C/JX1070C/JX1075C	QA		X	X		Red	2313252	72	2350000	2370072	111897D2	1770	11,252	1, 2, 4
JX1060C/JX1070C/JX1075C	QA		X		X	Red	2313252	72	2350000	2370072	111897H2	1706	10,127	1, 2, 4
JX1080U	QA		X	X	X	Red	2313252	72	2350000	2370072	2300009H2	1619	10,080	5
JX1085C/JX1095C	QA		X	X	X	Red	2313252	72	2350000	2370072	2300003H2	1605	10,113	1, 7
JX1090U/JX1100U	QA		X	X	X	Red	2313252	72	2350000	2370072	2300009H2	1619	10,080	5
FORD® & NEW HOLLAND®														
T4040/T4050 (Except Tier IV)	QA	X	X	X		Vib-NH Blue	2313257	84	2350000	2370084	2300016H	1731	10,237	9, 10
T5040/T5050/T5060/T5070	QA	X	X	X	X	Vib-NH Blue	2313257	84	2350000	2370084	2300009H3	1257	10,231	9, 10
TD75D/TD80/TD90D	QA	X	X	X	X	Vib-NH Blue	2313257	72	2350000	2370072	111889C2	1858	12,056	7
TD75D/TD80/TD90D	QA	X	X	X	X	Vib-NH Blue	2313257	72	2350000	2370072	111889H2	TBD	10,699	3, 7
TD95D	QA	X	X	X	X	Vib-NH Blue	2313257	72	2350000	2370072	111890C2	1708	11,253	7
TD95D	QA	X	X	X	X	Vib-NH Blue	2313257	72	2350000	2370072	111890H2	TBD	9,899	3, 7
TD5030	QA	X	X	X	X	Vib-NH Blue	2313257	72	2350000	2370072	2300013D	1214	11,469	10
TD5050 (Loader Ready)	QA	X	X	X	X	Vib-NH Blue	2313257	84	2350000	2370084	2300014D	1789	11,579	8, 13
TD5050	QA	X	X	X	X	Vib-NH Blue	2313257	84	2350000	2370084	2300017D	1726	11,363	8, 10
TL80A	QA		X	X	X	Vib-NH Blue	2313257	72	2350000	2370072	2300009H2	1619	10,080	5
TL90A/TL100A	QA		X	X	X	Vib-NH Blue	2313257	72	2350000	2370072	2300009H2	1619	10,080	5
TN55/TN65/TN70/TN75	QA		X	X		Vib-NH Blue	2313257	72	2350000	2370072	111874D2	1214	10,885	2
TN55D/TN65D/TN70D/TN75D	QA		X		X	Vib-NH Blue	2313257	72	2350000	2370072	111897H2	1706	10,127	1, 2
TN60A/TN70A/TN75A	QA		X	X		Vib-NH Blue	2313257	72	2350000	2370072	111897D2	1770	11,252	2, 4
TN60DA/TN70DA/TN75DA	QA		X		X	Vib-NH Blue	2313257	72	2350000	2370072	111897H2	1706	10,127	1, 2, 4
TN85A/TN85DA/TN95A/TN95DA	QA		X	X	X	Vib-NH Blue	2313257	72	2350000	2370072	2300003H2	1605	10,113	1, 7
KUBOTA®														
M6060/M7060	QA		X	X	X	Orange	2313254	84	2350000	2370084	211832H	TBD	9,176	11, 12
M7040	QA	X	X	X	X	Orange	2313254	72	2350000	2370072	211832C2	1214	10,302	
M8200/M9000	QA	X	X	X		Orange	2313254	72	2350000	2370072	111868D2	1214	11,212	
M8200/M9000	QA	X	X		X	Orange	2313254	72	2350000	2370072	111868C3	1839	11,653	
M8540/M9540	QA	X	X	X		Orange	2313254	72	2350000	2370072	2300004D2	1214	10,682	6
M8540/M9540	QA	X	X		X	Orange	2313254	72	2350000	2370072	2300004C2	1214	10,655	6

* Completing Kits that end in D or D2 contain mounting kit, Woods Hydraulic Package (2-spool direct control valve and hose kit) and grill guard, if available.
 Completing Kits that end in C2 or C3 contain mounting kit, Woods Hydraulic Package (2-spool cable control valve and hose kit) and grill guard, if available.
 Completing Kits that end in H, H2 or H3 contain mounting kit, 4-hose kit (to connect loader to OEM remote valve) and grill guard, if available.

Prices and specifications subject to change without notice.
 Prices effective January 1, 2021. Supersedes all previous pricing.
 Woods reserves the right to limit quantities and apply surcharges at any time.

Unless noted, Completing Kits include Mount Kit, Woods® Hydraulic Package (or 4-Hose Kit for tractor midmount OEM valve or remotes) and Grill Guard, if grill guard is available.

Completing Kits – Loader Model LU132

Tractor Brand / Model	Fits Tractor Type				Completing Kit Part No. **	Mount Kit	Woods Hydraulic Package		OF	4-Hose Kit		Grill Guard	Ship Wt. (lbs.)	Suggested List Price	Notes
	2WD	4WD	ROPS	CAB			2-Spool Valve Kit	Hoses for Loader Valve		Connects to OEM Valve or Remotes					
CASE IH®															
Farmall 70/80	X	X	X	X	2300013D	2300013	1029710	1029713			1009274	0	\$ 3,843	10	
Farmall 85/95	X	X	X	X	2300017D	2300017	1029710	1029713			1009274	469	3,627	8, 10	
Farmall 85C/95C (Except Tier IV)	X	X	X		2300016H	2300016	N/A	N/A		1010460-MR	40448	474	2,501	9, 10	
Farmall 85U/95U/105U	X	X	X	X	2300009H3	2300009	N/A	N/A		1028835	1028908	0	2,495	9, 10	
Farmall 90/95	X	X	X	X	2300014D	2300014	1029710	1029713			1009274	532	3,843	8, 13	
JX75/JX85		X	X	X	111889C2	W111889	1028842	1023579			1009274	644	4,430	3	
JX80/JX90	X	X	X	X	111889C2	W111889	1028842	1023579			1009274	644	4,430		
JX80/JX90	X	X	X	X	111889H2	W111889				58025	1009274	TBD	3,073	3	
JX95		X	X	X	111890C2	W111890	1028842	1023579			1009274	494	3,627	3	
JX1060C/JX1070C/JX1075C		X	X		111897D2	W111897	1028841	1023583			1012018	556	3,626	1, 2, 4	
JX1060C/JX1070C/JX1075C		X		X	111897H2	W111897	N/A	N/A		1010460-MR	1012018	492	2,501	1, 2, 4	
JX1080U		X	X	X	2300009H2	2300009	N/A	N/A		1028835	1012018	405	2,454	5	
JX1085C/JX1095C		X	X	X	2300003H2	2300003	N/A	N/A		1028835	1018190	391	2,487	1, 7	
JX1090U/JX1100U		X	X	X	2300009H2	2300009	N/A	N/A		1028835	1012018	405	2,454	5	
FORD® & NEW HOLLAND®															
T4040/T4050 (Except Tier IV)	X	X	X		2300016H	2300016	N/A	N/A		1010460-MR	40448	474	2,501	9, 10	
T5040/T5050/T5060/T5070	X	X	X	X	2300009H3	2300009	N/A	N/A		1028835	1028908	0	2,495	9, 10	
TD75D/TD80/TD90	X	X	X	X	111889C2	W111889	1028842	1023579			1009274	644	4,430	7	
TD75D/TD80/TD90	X	X	X	X	111889H2	W111889				58025	1009274	TBD	3,073	3, 7	
TD95D	X	X	X	X	111890C2	W111890	1028842	1023579			1009274	494	3,627	7	
TD95D	X	X	X	X	111890H2	W111890				58025	1009274	TBD	2,273	3, 7	
TD5030	X	X	X	X	2300013D	2300013	1029710	1029713			1009274	0	3,843	10	
TD5050 (Loader Ready)	X	X	X	X	2300014D	2300014	1029710	1029713			1009274	532	3,843	8, 13	
TD5050	X	X	X	X	2300017D	2300017	1029710	1029713			1009274	469	3,627	8, 10	
TL80A		X	X	X	2300009H2	2300009	N/A	N/A		1028835	1012018	405	2,454	5	
TL90A/TL100A		X	X	X	2300009H2	2300009	N/A	N/A		1028835	1012018	405	2,454	5	
TN55/TN65/TN70/TN75		X	X		111874D2	111874	1028841	1023583			40448	0	3,259	2	
TN55D/TN65D/TN70D/TN75D	X			X	111897H2	W111897	N/A	N/A		1010460-MR	1012018	492	2,501	1, 2	
TN60A/TN70A/TN75A		X	X		111897D2	W111897	1028841	1023583			1012018	556	3,626	2, 4	
TN60DA/TN70DA/TN75DA		X		X	111897H2	W111897	N/A	N/A		1010460-MR	1012018	492	2,501	1, 2, 4	
TN85A/TN85DA/TN95A/TN95DA		X	X	X	2300003H2	2300003	N/A	N/A		1028835	1018190	391	2,487	1, 7	
KUBOTA®															
M6060/M7060		X	X	X	211832H	W211832	N/A	N/A		1042870	1018206	TBD	1,440	11, 12	
M7040	X	X	X	X	211832C2	W211832	1028843	w/valve			1018206	0	2,676		
M8200/M9000	X	X	X		111868D2	W111868	1028841	1023561			w/mount	0	3,586		
M8200/M9000	X	X		X	111868C3	W111868	1028845	1023556			w/mount	625	4,027		
M8540/M9540	X	X	X		2300004D2	2300004	1028841	1023601			1018206	0	3,056	6	
M8540/M9540	X	X		X	2300004C2	2300004	1028844	w/valve			1018206	0	3,029	6	

** Completing Kits that end in D or D2 contain mounting kit, Woods Hydraulic Package (2-spool direct control valve and hose kit) and grill guard, if available. Completing Kits that end in C2 or C3 contain mounting kit, Woods Hydraulic Package (2-spool cable control valve and hose kit) and grill guard, if available. Completing Kits that end in H, H2 or H3 contain mounting kit, 4-hose kit (to connect loader to OEM remote valve) and grill guard, if available.

Prices and specifications subject to change without notice.
 Prices effective January 1, 2021. Supersedes all previous pricing.
 Woods reserves the right to limit quantities and apply surcharges at any time.

Miscellaneous – Loader Model LU132

Part No.	Description	Shipping Wt. (lbs.)	Suggested List Price
1005093	Paint – Case of 12 Spray Cans – Red to match Case IH®	13	\$ 173.00
1005095	Paint – Case of 12 Spray Cans – Blue to match New Holland® Vibrant Blue	13	173.00
1005096	Paint – Case of 12 Spray Cans – Blue to match New Holland Ford® Blue	13	173.00
1005097	Paint – Case of 12 Spray Cans – Orange to match Kubota®	13	173.00
1005098	Paint – Case of 12 Spray Cans – Red to match Massey Ferguson®	13	173.00
1024092	Exhaust Relocation Kit	17	\$ 301.00

UTILITY SERIES LOADERS – TRACTOR NOTES

SECTION 4

Tractor Notes – Loader Model LU132

1. Requires Case/New Holland joystick OEM valve.
2. Does not fit tractors with Super Steer® or Orchard/Vineyard models.
3. Mount is compatible with OEM cable control valve kit, but additional fittings may be required.
4. Hose kit 1010460 requires OEM mid-remote loader valve.
5. Hose kit 1028835 may be used to connect to OEM mid-remote loader valve.
6. Hose kit 1028836 requires mid-mount loader valve.
7. ROPS tractors and some CAB models with exhaust in the middle of the hood must order Exhaust Relocation Kit 1024092. Refer to Miscellaneous section for pricing.
8. Tractor steering stop adjustment required for some tire sizes and front tread settings.
9. Requires OEM mid-mount loader control valve.
10. Not compatible with OEM “Loader Ready” mounting brackets.
11. Tractor must be equipped with vertical exhaust.
12. Hose kit connects to OEM loader valve supplied with tractor.
13. Tractor must be equipped with OEM “Loader Ready” mounting brackets.

Prices and specifications subject to change without notice.
 Prices effective January 1, 2021. Supersedes all previous pricing.
 Woods reserves the right to limit quantities and apply surcharges at any time.

LU132 Features and Specifications

FEATURES:

- Curved loader boom
- Midmount loader boom attachment
- Fast D-Tach loader
- Parking stands – stored in loader boom cross tube
- Rod bucket level indicator
- 4-bar bucket linkage
- Manual tube on the loader boom cross tube
- Optional Quick Attach Coupler System
- 2-year warranty



SPECIFICATIONS:

- Fits 45 – 90 hp tractors (2WD & FWA)
- Lift height: 132 inches
- Lift cylinders: 2.76 inches; Bucket cylinders: 2.76 inches
- Lift capacity at bucket pins: 3500 lbs.
- Lift capacity at 31.5 inches ahead of bucket pivot pins: 2400 lbs.
- Capacities rated at 2750 psi

- Breakout at bucket pins: 5000 lbs.
- Breakout at 31.5 inches ahead of bucket pivot pins: 3800 lbs.
- Maximum digging depth: 5 inches
- Dump angle: 50 degrees
- Roll back angle: 35 degrees
- Reach at maximum height: 31 inches
- Pivot pins diameter: 1.25 inches

To Order a Complete Loader by Ordering Individual Components

- Find the tractor brand and model you are attempting to fit in the **Tractor/Loader Adaptability Chart**.
- Select the loader model you wish to price (each model belongs to a Loader Series, i.e., Utility Series).
- Go to the appropriate Loader Model **Component Order** tab.
- Find the tractor brand / model you are fitting in the **Tractor Reference** section – part numbers needed to configure a loader are listed (except loader frame and bucket).
- Order loader frame.
- Order front-end attachment(s).
- Order mounting kit.
- Order valve kit.
- Order hose kit OR 4-hose kit to connect to OEM remote valve.
- Order grill guard.

Be sure to refer to the “Notes” column; Tractor Notes are found at the end of each tabbed section in the Loader price pages.

Prices for each component are listed in the appropriate component section.

If you have any questions, please contact Woods® Dealer Services.

EXAMPLE:

When ordering a loader to fit a Ford®-New Holland® tractor, model TN65, do the following:

1. The Ford-New Holland TN65 tractor is fit by two Woods loader models: LU126 and LU132. (Reference the Tractor/Loader Adaptability Chart.) Let's select LU132.
2. Flip to the LU132 **Components** tab and go to the Tractor Reference Chart for components to order to complete the LU132 Loader.
 - a. **Section 1** – Order the loader frame #2313257 (Vibrant Blue to match New Holland).
 - b. **Section 2** – Order the bucket #2370072 (72" quick attach bucket) and the Quick Attach Coupler System. Other front end attachments may be ordered within this section.
 - c. **Section 3** – Order the mounting kit #111874.
 - d. **Section 4** – Order the valve kit #1028841.
 - e. **Section 5** – Order hose kit #1023583 included with valve OR the 4-hose kit #58025 if using OEM loader valve.
 - f. **Section 6** – Order grill guard #40448.

Prices and specifications subject to change without notice.
 Prices effective January 1, 2021. Supersedes all previous pricing.
 Woods reserves the right to limit quantities and apply surcharges at any time.

UTILITY SERIES LOADERS – MODEL LU132 TRACTOR REFERENCE CHART

Tractor Brand / Model	Fits Tractor Type				Mount Kit	Hydraulic Package			OR	4-Hose Kit		Tractor Notes
	2WD	4WD	ROPS	CAB		2-Spool Valve Kit	Hoses for Loader Valve	Connects to OEM Valve		Grill Guard		
CASE IH®												
Farmall 70/80	X	X	X	X	2300013	1029710	1029713		N/A	1009274	10	
Farmall 85/95	X	X	X	X	2300017	1029710	1029713		N/A	1009274	8, 10	
Farmall 85C/95C (Except Tier IV)	X	X	X		2300016	N/A	N/A		1010460-MR	40448	9, 10	
Farmall 85U/95U/105U	X	X	X	X	2300009	N/A	N/A		1028835	1028908	9, 10	
Farmall 90/95	X	X	X	X	2300014	1029710	1029713		N/A	1009274	8, 13	
JX75/JX85		X	X	X	W111889	1028842	1023579		58025	1009274	3	
JX80/JX90	X	X	X	X	W111889	1028842	1023579		58025	1009274	3	
JX95		X	X	X	W111890	1028842	1023579		58025	1009274	3	
JX1060C/JX1070C/JX1075C		X	X	X	W111897	1028841	1023583		1010460-MR	1012018	1, 2, 4	
JX1080U		X	X	X	2300009	N/A	N/A		1028835	1012018	5	
JX1085C/JX1095C		X	X	X	2300003	N/A	N/A		1028835	1018190	1, 7	
JX1090U/JX1100U		X	X	X	2300009	N/A	N/A		1028835	1012018	5	
FORD® & NEW HOLLAND®												
T4040/T4050 (Except Tier IV)	X	X	X		2300016	N/A	N/A		1010460-MR	40448	9, 10	
T5040/T5050/T5060/T5070	X	X	X	X	2300009	N/A	N/A		1028835	1028908	9, 10	
TD75D/TD80D/TD90D	X	X	X	X	W111889	1028842	1023579		58025	1009274	3, 7	
TD95D	X	X	X	X	W111890	1028842	1023579		58025	1009274	3, 7	
TD5030	X	X	X	X	2300013	1029710	1029713		N/A	1009274	10	
TD5050 (Loader Ready)	X	X	X	X	2300014	1029710	1029713		N/A	1009274	8, 13	
TD5050	X	X	X	X	2300017	1029710	1029713		N/A	1009274	8, 10	
TL80A		X	X	X	2300009	N/A	N/A		1028835	1012018	5	
TL90A/TL100A		X	X	X	2300009	N/A	N/A		1028835	1012018	5	
TN55/TN65/TN70/TN75		X	X	X	111874	1028841	1023583		58025	40448	2	
TN55D/TN65D/TN70D/TN75D		X		X	W111897	N/A	N/A		1010460-MR	1012018	1, 2	
TN60A/TN70A/TN75A		X	X		W111897	1028841	1023583		1010460-MR	1012018	2, 4	
TN60DA/TN70DA/TN75DA		X		X	W111897	N/A	N/A		1010460-MR	1012018	2, 4	
TN85A/TN85DA/TN95A/TN95DA		X	X	X	2300003	N/A	N/A		1028835	1018190	1, 7	
KUBOTA®												
M6060/M7060		X	X	X	W211832	N/A	N/A		1042870	1018206	11, 12	
M7040	X	X	X	X	W211832	1028843	included w/valve		1028836	1018206		
M8200/M9000	X	X	X		W111868	1028841	1023561		W40542	w/mount		
M8200/M9000	X	X		X	W111868	1028845	1023556		W40542	w/mount		
M8540/M9540	X	X	X		2300004	1028841	1023601		1028836	1018206	6	
M8540/M9540	X	X		X	2300004	1028844	included w/valve		1028836	1018206	6	

Note: If listed, 4-hose kit for use with tractor remotes may be ordered instead of Woods® valve and hose kit for loader valve.

Prices and specifications subject to change without notice.
 Prices effective January 1, 2021. Supersedes all previous pricing.
 Woods reserves the right to limit quantities and apply surcharges at any time.

Frames – Loader Model LU132

Part No.	Description	Shipping Wt. (lbs.)	Suggested List Price
2313250	Black (Universal)	753	\$ 5,592.00
2313251	Green to match John Deere®	TBD	5,592.00
2313252	Red to match Case IH®	753	5,592.00
2313253	Blue to match Ford® & New Holland®	753	5,592.00
2313254	Orange to match Kubota®	753	5,592.00
2313256	Red to match Massey Ferguson®	TBD	5,592.00
2313257	Vibrant Blue to match New Holland®	753	5,592.00
2313260	Red to match Mahindra®	TBD	5,592.00

UTILITY SERIES LOADERS – BUCKETS & FRONT-END ATTACHMENTS

SECTION 2

Buckets & Front End Attachments – Loader Model LU132

OPTIONAL BUCKETS – Compatible with Quick Attach Coupler System

Part No.	Width (in.)	Description	Capacity	Shipping Wt. (lbs.)	Suggested List Price	Qty. of 5 List Price *
2370072	72	Heavy-Duty Loader Bucket – Skid Steer Quick Attach	17.7 cu. ft.	377	\$ 1,354.00	—
2370084	84	Heavy-Duty Loader Bucket – Skid Steer Quick Attach	20.8 cu. ft.	420	1,464.00	—

Note: Loader buckets are punched for optional Bolt-on Cutting Edges.

OPTIONAL QUICK ATTACH COUPLER SYSTEM

2350000		Skid Steer (ISO 24410) Quick Attach Coupler System		84	\$ 680.00	—
---------	--	--	--	----	-----------	---

OPTIONAL BOLT-ON EDGES, TOOTHBARS AND TINE KITS

46384	72	Bolt-On Edge for 72" Buckets, includes hardware		55	\$ 195.00	—
46385	84	Bolt-On Edge for 84" Buckets, includes hardware		63	222.00	—
CETB715	71.25	Toothbar for 72" Buckets, includes hardware		80	511.00	—
CETB835	83.25	Toothbar for 84" Buckets, includes hardware		84	549.00	—
46380		Tine Kit for 72" Buckets, includes hardware (Must drill holes in bucket)		33	149.00	—

SKID STEER (ISO 24410) QUICK ATTACH SYSTEMS COMPATIBLE ATTACHMENTS

1037170		BS3044S – Single Bale Spear with 2 Stabilizer Spikes	3000 lbs.	201	\$ 695.00	\$ 626.00
1037171		BS6044S – Double Bale Spear	6000 lbs.	223	845.00	761.00
1044700		BS4032S – Triple Bale Spear	4000 lbs.	275	950.00	855.00
1042551		PFW4442S – Pallet Fork with 42" Tines, Walk-thru Frame	4400 lbs.	380	1,147.00	1,032.00
1042552		PFW4448S – Pallet Fork with 48" Tines, Walk-thru Frame	4400 lbs.	380	1,165.00	1,049.00
1045940		PF4448S – Pallet Fork with 48" Tines, Full Frame	4400 lbs.	436	1,193.00	1,074.00
1026750		AB720-2 – Angle Broom – 72" Sweeping Path, heavy-duty design (Alitec™ Discounts Apply)		922	7,261.00	—

* Order 5+ units in any combination of bale spears or any combination of pallet forks to receive an additional 10% discount.

OPTIONAL WEIGHT BOX FOR THREE-POINT HITCH

1006124		Weight Box for Rear Ballast – Fits Category 1, 3-Point Hitch	6.0 cu. ft.	113	\$ 492.00	—
---------	--	--	-------------	-----	-----------	---

Prices and specifications subject to change without notice.
 Prices effective January 1, 2021. Supersedes all previous pricing.
 Woods reserves the right to limit quantities and apply surcharges at any time.

Mounting Kits – Loader Model LU132

Mount Kit Part No.	Tractor Brand / Model	Fits Tractor Type				Ship Wt. (lbs.)	Suggested List Price
		2WD	4WD	ROPS	CAB		
CASE IH®							
2300013	Farmall 70/80	X	X	X	X	391	\$ 1,828.00
2300017	Farmall 85/95	X	X	X	X	370	1,609.00
2300016	Farmall 85C/95C (Except Tier IV)	X	X	X		418	1,828.00
2300009	Farmall 85U/95U/105U	X	X	X	X	364	1,828.00
2300014	Farmall 90/95	X	X	X	X	433	1,828.00
W111889	JX80/JX90	X	X	X	X	541	2,411.00
W111889	JX75/JX85		X	X	X	541	2,411.00
W111890	JX95		X	X	X	391	1,609.00
W111897	JX1060C/JX1070C/JX1075C		X	X	X	449	1,828.00
2300009	JX1080U		X	X	X	364	1,828.00
2300003	JX1085C/JX1095C		X	X	X	338	1,741.00
2300009	JX1090U/JX1100U		X	X	X	364	1,828.00
FORD® & NEW HOLLAND®							
2300016	T4040/T4050 (Except Tier IV)	X	X	X		418	1,828.00
2300009	T5040/T5050/T5060/T5070	X	X	X	X	364	1,828.00
W111889	TD75D/TD80D/TD90D	X	X	X	X	541	2,411.00
W111890	TD95D	X	X	X	X	391	1,609.00
2300013	TD5030	X	X	X	X	391	1,828.00
2300014	TD5050 (Loader Ready)	X	X	X	X	433	1,828.00
2300017	TD5050	X	X	X	X	370	1,609.00

Mount Kit Part No.	Tractor Brand / Model	Fits Tractor Type				Ship Wt. (lbs.)	Suggested List Price
		2WD	4WD	ROPS	CAB		
FORD & NEW HOLLAND (Continued)							
2300009	TL80A		X	X	X	364	\$ 1,828.00
2300009	TL90A/TL100A		X	X	X	364	1,828.00
111874	TN55/TN65/TN70/TN75		X	X	X	361	1,464.00
W111897	TN55D/TN65D/TN70D/TN75D		X		X	449	1,828.00
W111897	TN60A/TN70A/TN75A		X	X		449	1,828.00
W111897	TN60DA/TN70DA/TN75DA		X		X	449	1,828.00
2300003	TN85A/TN85DA/TN95A/TN95DA		X	X	X	338	1,741.00
KUBOTA®							
W211832	M6060/M7060		X	X	X	307	750.00
W211832	M7040	X	X	X	X	307	750.00
W111868	M8200/M9000	X	X	X	X	538	2,049.00
2300004	M8540/M9540	X	X	X	X	224	1,102.00

UTILITY SERIES LOADERS – LOADER VALVE KITS

SECTION 4

Valve Kits – Loader Model LU132

Part No.	Description	Shipping Wt. (lbs.)	Suggested List Price
1028841	Joystick Valve Kit – 2 function, 2750 psi relief – Direct Control, Parallel	62	\$ 1,171.00
1028842	Joystick Valve Kit – 2 function, 2500 psi relief – Cable Control, Series Regenerative	58	1,609.00
1028843	Joystick Valve Kit – 2 function, 2500 psi relief – Cable Control, Series Regenerative (includes hoses)	51	1,609.00
1028844	Joystick Valve Kit – 2 function, 2750 psi relief – Cable Control, Parallel (includes hoses)	61	1,609.00
1028845	Joystick Valve Kit – 2 function, 2750 psi relief – Cable Control, Parallel	70	1,609.00
1029710	Joystick Valve Kit – 2 function, 2500 psi relief – Cable Control, Series Regenerative	51	1,609.00
1028722	Optional hydraulic self-level kit (maintains level position of bucket/attachment as loader is raised; no leveling as loader is lowered)	19	1,022.00

Prices and specifications subject to change without notice.
 Prices effective January 1, 2021. Supersedes all previous pricing.
 Woods reserves the right to limit quantities and apply surcharges at any time.

Hose Kits – Loader Model LU132

Part No.	Description	Shipping Wt. (lbs.)	Suggested List Price
W40542	Hose Kit – (4) 150" connects loader feedlines to tractor remote couplers	30	\$ 443.00
58025	Hose Kit – (4) 150" connects loader feedlines to tractor remote couplers	32	479.00
1010460	Hose Kit – (4) 76" Case IH® and Ford® & New Holland®, reference W111897/2300016 mount kits	16	489.00
1023556	Hose Kit – Power Beyond, Kubota® M8200/M9000 with cab, reference W111868 mount kit	17	369.00
1023561	Hose Kit – Power Beyond, Kubota M8200/M9000 without cab, reference W111868 mount kit	14	369.00
1023579	Hose Kit – Power Beyond, Case IH and Ford & New Holland, reference W111889/W111890 mount kits	6	222.00
1023583	Hose Kit – Power Beyond, Case IH and Ford & New Holland, reference 111874/W111897 mount kit	18	443.00
1023601	Hose Kit – Power Beyond, Kubota M8540/M9540, reference 2300004 mount kit	10	471.00
1028835	Hose Kit – (4) 76" Case IH and Ford & New Holland to connect to OEM loader valve (mid-remotes), reference 2300003/2300009 mount kits	14	443.00
1028836	Hose Kit – (4) 74" connects loader feedlines to OEM mid-mount valve	TBD	402.00
1029713	Hose Kit – (3) 66" Case IH and New Holland, reference 2300013/2300014/2300017 mount kits	9	222.00
1042870	Hose Kit – Kubota M6060/M7060, reference W211832 mount kit	TBD	372.00

UTILITY SERIES LOADERS – GRILL GUARDS

SECTION 6

Grill Guards – Loader Model LU132

Part No.	Description	Shipping Wt. (lbs.)	Suggested List Price
40448	Grill Guard – Case IH and Ford & New Holland, reference 111874/2300016 mount kits	40	\$ 187.00
1009274	Grill Guard – Case IH and Ford & New Holland, reference W111889/W111890/2300013/2300014/2300017 mount kits	39	187.00
1012018	Grill Guard – Case IH and Ford & New Holland, reference W111897/2300009 mount kits	27	187.00
1018190	Grill Guard – Case IH JX1085C/JX1095C and New Holland TN85A/TN85DA/TN95A/TN95DA, reference 2300003 mount kit	39	217.00
1018206	Grill Guard – Kubota M7040/M8540/M9540, M6060/M7060, reference W211832/2300004 mount kits	49	319.00
1028908	Grill Guard – Case IH Farmall 85U/95U/105U and New Holland T5040/T5050/T5060/T5070, reference 2300009 mount kit	64	227.00

Prices and specifications subject to change without notice.
 Prices effective January 1, 2021. Supersedes all previous pricing.
 Woods reserves the right to limit quantities and apply surcharges at any time.

Miscellaneous – Loader Model LU132

Part No.	Description	Shipping Wt. (lbs.)	Suggested List Price
1005093	Paint – Case of 12 Spray Cans – Red to match Case IH®	13	\$ 173.00
1005095	Paint – Case of 12 Spray Cans – Blue to match New Holland® Vibrant Blue	13	173.00
1005096	Paint – Case of 12 Spray Cans – Blue to match New Holland Ford® Blue	13	173.00
1005097	Paint – Case of 12 Spray Cans – Orange to match Kubota®	13	173.00
1005098	Paint – Case of 12 Spray Cans – Red to match Massey Ferguson®	13	173.00
1024092	Exhaust Relocation Kit	17	\$ 301.00

UTILITY SERIES LOADERS – TRACTOR NOTES¹

SECTION 8

Tractor Notes – Loader Model LU132

1. Requires Case/New Holland joystick OEM valve.
2. Does not fit tractors with Super Steer® or Orchard/Vineyard models.
3. Mount is compatible with OEM cable control valve kit, but additional fittings may be required.
4. Hose kit 1010460 requires OEM mid-remote loader valve.
5. Hose kit 1028835 may be used to connect to OEM mid-remote loader valve.
6. Hose kit 1028836 requires mid-mount loader valve.
7. ROPS tractors and some CAB models with exhaust in the middle of the hood must order Exhaust Relocation Kit 1024092. Refer to Miscellaneous section for pricing.
8. Tractor steering stop adjustment required for some tire sizes and front tread settings.
9. Requires OEM mid-mount loader control valve.
10. Not compatible with OEM “Loader Ready” mounting brackets.
11. Tractor must be equipped with vertical exhaust.
12. Hose kit connects to OEM loader valve supplied with tractor.
13. Tractor must be equipped with OEM “Loader Ready” mounting brackets.

Prices and specifications subject to change without notice.
 Prices effective January 1, 2021. Supersedes all previous pricing.
 Woods reserves the right to limit quantities and apply surcharges at any time.

LOADER ATTACHMENTS – PIN-ON, QUICK ATTACH BUCKETS

Pin-On Loader Buckets

Models Used On	Part No.	Width (in.)	Description	Width (cu. ft.)	Shipping Wt. (lbs.)	Suggested List Price
LS96R	2180060	60	Standard-Duty Loader Bucket – Pin-on Attach	8.3	167	\$ 587.00
LS72	2130048	48	Heavy-Duty Loader Bucket – Pin-on Attach	6.0	118	584.00
LS72	2130054	54	Heavy-Duty Loader Bucket – Pin-on Attach	6.8	133	655.00
LS72	2130148	48	Heavy-Duty Loader Bucket – Pin-on Attach (green tomato, John Deere®)	6.0	118	584.00
LS72	2130448	48	Heavy-Duty Loader Bucket – Pin-on Attach (orange tomato, John Kubota®)	6.0	118	584.00
LS84	2160054	54	Heavy-Duty Loader Bucket – Pin-on Attach	8.4	170	807.00
LS84	2160060	60	Heavy-Duty Loader Bucket – Pin-on Attach	9.4	186	863.00
LC96	2230066	66	Heavy-Duty Loader Bucket – Pin-on Attach	10.4	205	1,064.00

Quick Attach Loader Buckets

Models Used On	Part No.	Width (in.)	Description	Width (cu. ft.)	Shipping Wt. (lbs.)	Suggested List Price
LS96R/LC96	2170060	60	Standard-Duty Loader Bucket – Skid Steer Quick Attach	8.4	178	\$ 587.00
LC96	2240066	66	Heavy-Duty Loader Bucket – Skid Steer Quick Attach	10.4	206	1,064.00
LC102/108/114	2270066	66	Heavy-Duty Loader Bucket – Skid Steer Quick Attach	12.8	258	1,064.00
LC102/108/114	2270072	72	Heavy-Duty Loader Bucket – Skid Steer Quick Attach	14.0	274	1,135.00
LU126/132	2370072	72	Heavy-Duty Loader Bucket – Skid Steer Quick Attach	17.7	377	1,354.00
LU126/132	2370084	84	Heavy-Duty Loader Bucket – Skid Steer Quick Attach	20.8	420	1,464.00

Quick Attach Coupler System

Models Used On	Part No.	Description	Shipping Wt. (lbs.)	Suggested List Price
LS96R	2170000	Skid Steer (ISO 24410) Quick Attach Coupler System	78	\$ 577.00
LC96	2200000	Skid Steer (ISO 24410) Quick Attach Coupler System	89	630.00
LC102/108/114, LU126/132	2350000	Skid Steer (ISO 24410) Quick Attach Coupler System	84	680.00

Optional Bolt-On Edges, Toothbars and Tine Kits

Models Used On	Part No.	Width (in.)	Description	Shipping Wt. (lbs.)	Suggested List Price
LC102/108/114	46382	60	Bolt-On Edge for 60" Buckets, includes hardware	46	\$ 149.00
LC102/108/114	46383	66	Bolt-On Edge for 66" Buckets, includes hardware	50	175.00
LC102/108/114, LU126/132	46384	72	Bolt-On Edge for 72" Buckets, includes hardware	55	195.00
LC108/114	1033818	78	Bolt-On Edge for 78" Buckets, includes hardware	61	282.00
LU126/132	46385	84	Bolt-On Edge for 84" Buckets, includes hardware	63	222.00
LC102/108/114	CETB595	59.25	Toothbar for 60" Buckets, includes hardware	69	479.00
LC102/108/114	CETB655	65.25	Toothbar for 66" Buckets, includes hardware	77	511.00
LC102/108/114, LU126/132	CETB715	71.25	Toothbar for 72" Buckets, includes hardware	80	511.00
LC108/114	CETB775	77.25	Toothbar for 78" Buckets, includes hardware	TBD	549.00
LU126/132	CETB835	83.25	Toothbar for 84" Buckets, includes hardware	84	549.00
LC102/108/114, LU126/132	46380	–	Tine Kit for 60", 66" Buckets, includes hardware (Must drill holes in bucket)	33	149.00
LC102/108/114, LU126/132	46380	–	Tine Kit for 60", 66", 72" Buckets, includes hardware (Must drill holes in bucket)	33	149.00
LC102/108/114, LU126/132	46380	–	Tine Kit for 72" Buckets, includes hardware (Must drill holes in bucket)	33	149.00

Prices and specifications subject to change without notice.
 Prices effective January 1, 2021. Supersedes all previous pricing.
 Woods reserves the right to limit quantities and apply surcharges at any time.

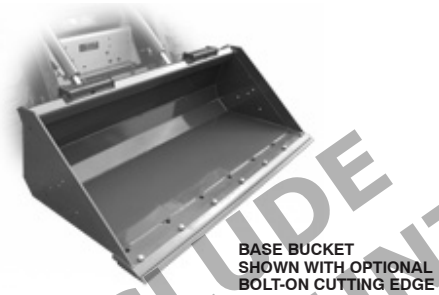
LOADER ATTACHMENTS – ALITEC™ BUCKETS (Continued)

The attachments in this section are designed to fit various models of front end loaders and skid steer loaders.

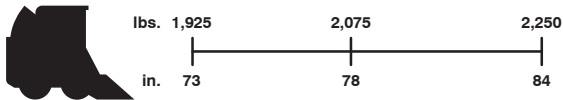
LPSB-Series Low Profile, Short Bottom Construction Buckets

FEATURES:

- Skid Steer (ISO 24410) Quick Attach System
- Heavy-duty construction
- No internal gussets or obstructions
- Square back for reverse grading
- Pre-drilled front cutting edge to accept bolt-on reversible cutting edge (sold separately)
- Short bottom design to provide higher breakout force
- Optional standard-duty toothbars available (see Woods® Skid Steer Attachments section, pages SS3 – SS4)
- Alitec™ Gray color



RECOMMENDED MINIMUM SKID STEER SAE LOAD RATING



Alitec Discounts Apply

Bucket Profile	Model No.	Part No.	Width (in.)	SAE Struck Cap. (cu. ft.)	SAE Heaped Cap. (cu. ft.)	Shipping Wt. (lbs.)	Suggested List Price
	LPSB73	101444073	73	10.9	14.6	510	\$ 1,276.00
	LPSB78	101444078	78	11.7	15.7	540	1,391.00
	LPSB84	101444084	84	12.6	16.9	561	1,456.00

ACCESSORIES

Part No.	Description	Shipping Wt. (lbs.)	Suggested List Price
1014177K	73" Bolt-on Cutting Edge Kit	73	\$ 263.00
1014178K	78" Bolt-on Cutting Edge Kit	78	283.00
1014179K	84" Bolt-on Cutting Edge Kit	84	321.00

NOTE: All hardware needed to attach accessories to base bucket is supplied in kit.

WARNING: Attachment selection and application must not exceed skid steer model rated operating loads or other specific requirements. All Operator's Manual and mounting instructions must be followed.

Prices and specifications subject to change without notice.
 Prices effective January 1, 2021. Supersedes all previous pricing.
 Woods reserves the right to limit quantities and apply surcharges at any time.

LOADER ATTACHMENTS – ALITEC™ BUCKETS (Continued)

The attachments in this section are designed to fit various models of front end loaders and skid steer loaders.

LPLB-Series Low Profile, Long Bottom Construction Buckets

FEATURES:

- Skid Steer (ISO 24410) Quick Attach System
- Heavy-duty construction
- No internal gussets or obstructions
- Square back for reverse grading
- Pre-drilled front cutting edge to accept bolt-on reversible cutting edge (sold separately)
- Long bottom design for improved front edge visibility
- Optional standard-duty toothbars available (see Woods® Skid Steer Attachments section, pages SS3 – SS4)
- Alitec™ Gray color

RECOMMENDED MINIMUM SKID STEER SAE LOAD RATING



Bucket Profile	Model No.	Part No.	Width (in.)	SAE Struck Cap. (cu. ft.)	SAE Heaped Cap. (cu. ft.)	Shipping Wt. (lbs.)	Suggested List Price
	LPLB60	101491560	60	10.5	14.4	466	\$ 1,365.00
	LPLB66	101491566	66	11.6	15.9	500	1,450.00
	LPLB73	101491573	73	12.8	17.7	534	1,489.00
	LPLB78	101491578	78	13.7	19.0	591	1,744.00
	LPLB84	101491584	84	14.8	20.5	606	1,877.00

ACCESSORIES

Part No.	Description	Shipping Wt. (lbs.)	Suggested List Price
1014175K	60" Bolt-on Cutting Edge Kit	60	\$ 237.00
1014176K	66" Bolt-on Cutting Edge Kit	66	243.00
1014177K	73" Bolt-on Cutting Edge Kit	73	263.00
1014178K	78" Bolt-on Cutting Edge Kit	78	283.00
1014179K	84" Bolt-on Cutting Edge Kit	84	321.00

NOTE: All hardware needed to attach accessories to base bucket is supplied in kit.

WARNING: Attachment selection and application must not exceed skid steer model rated operating loads or other specific requirements. All Operator's Manual and mounting instructions must be followed.

Prices and specifications subject to change without notice.
 Prices effective January 1, 2021. Supersedes all previous pricing.
 Woods reserves the right to limit quantities and apply surcharges at any time.

LOADER ATTACHMENTS – ALITEC™ BUCKETS (Continued)

The attachments in this section are designed to fit various models of front end loaders and skid steer loaders.

SW-Series Compact Articulated Loader Buckets

FEATURES:

- Skid Steer (ISO 24410) Quick Attach System
- Heavy-duty construction
- No internal gussets or obstructions
- Square back for reverse grading
- Pre-drilled front cutting edge to accept bolt-on reversible cutting edge (sold separately)
- For general purpose applications
- Alitec™ Gray color

RECOMMENDED MINIMUM SKID STEER SAE LOAD RATING



Alitec Discounts Apply

Bucket Profile	Model No.	Part No.	Width (in.)	SAE Struck Cap. (cu. ft.)	SAE Heaped Cap. (cu. ft.)	Shipping Wt. (lbs.)	Suggested List Price
	SW84	102226084	84	20.9	25.8	672	\$ 2,193.00

ACCESSORIES

Part No.	Description	Shipping Wt. (lbs.)	Suggested List Price
1014179K	84" Bolt-on Cutting Edge Kit	84	\$ 321.00

NOTE: All hardware needed to attach accessories to base bucket is supplied in kit.

WARNING: Attachment selection and application must not exceed skid steer model rated operating loads or other specific requirements. All Operator's Manual and mounting instructions must be followed.

Prices and specifications subject to change without notice.
 Prices effective January 1, 2021. Supersedes all previous pricing.
 Woods reserves the right to limit quantities and apply surcharges at any time.

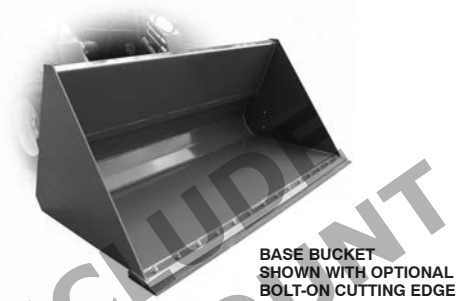
LOADER ATTACHMENTS – ALITEC™ BUCKETS (Continued)

The attachments in this section are designed to fit various models of front end loaders and skid steer loaders.

HC-Series High Capacity, Light Material Buckets

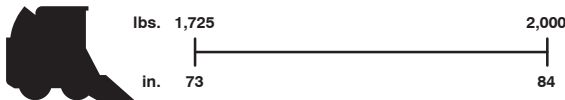
FEATURES:

- Skid Steer (ISO 24410) Quick Attach System
- Heavy-duty construction
- No internal gussets or obstructions
- Square back for reverse grading
- Pre-drilled front cutting edge to accept bolt-on reversible cutting edge (sold separately)
- Ultra high capacity for light material handling
- Alitec™ Gray color



BASE BUCKET SHOWN WITH OPTIONAL BOLT-ON CUTTING EDGE

RECOMMENDED MINIMUM SKID STEER SAE LOAD RATING



Alitec Discounts Apply

Bucket Profile	Model No.	Part No.	Width (in.)	SAE Struck Cap. (cu. ft.)	SAE Heaped Cap. (cu. ft.)	Shipping Wt. (lbs.)	Suggested List Price
	HC73	102400173	73	27.9	35.6	690	\$ 2,058.00
	HC84	102400184	84	32.1	41.3	798	2,327.00

ACCESSORIES

Part No.	Description	Shipping Wt. (lbs.)	Suggested List Price
1014177K	73" Bolt-on Cutting Edge Kit	73	\$ 263.00
1014179K	84" Bolt-on Cutting Edge Kit	84	321.00

NOTE: All hardware needed to attach accessories to base bucket is supplied in kit.

WARNING: Attachment selection and application must not exceed skid steer model rated operating loads or other specific requirements. All Operator's Manual and mounting instructions must be followed.

Prices and specifications subject to change without notice.
 Prices effective January 1, 2021. Supersedes all previous pricing.
 Woods reserves the right to limit quantities and apply surcharges at any time.

LOADER ATTACHMENTS – WOODS® ALITEC™ GRAPPLE BUCKETS

The attachments in this section are designed to fit various models of front end loaders and skid steer loaders.

Heavy-Duty, Low-Profile Root Grapples

FEATURES:

Compatible with Skid Steer (ISO 24410) Quick Attach Systems

Made with grade 80 steel – 2x stronger than mild steel – reducing the weight but maintaining the strength required for any skid steer or tractor application

Woods proprietary serrated cutting edge holds fast to trees and debris

Unique design allows smooth grading of surfaces after removing debris

Twin hydraulic cylinders allow for independent clamping on uneven material while cylinder placement improves visibility

Cylinder guards standard, protecting rods and hoses for longer life

Greasable Pivots

Hydraulic hoses and QD couplers (per ISO standard 16028) included

Ag Tractor Sizes: 45 – 100 hp (up to 10,000 lbs.)

Length: 34"

Height: 27"

Grapple Opening: 37"

Grapple Width: 19"

Cylinder Bore: 2.76"

Cylinder Rod: 1.38"

Pivot Pins: 1.25"



Alitec Discounts Apply

Model No.	Part No.	Description	Width (in.)	No. of Tines x Spacing	Shipping Wt. (lbs.)	Suggested List Price
HLRG65	103484965	Root Grapple – Skid Steer Quick Attach	65	10 x 6.75"	730	\$ 3,961.00
HLRG72	103484972	Root Grapple – Skid Steer Quick Attach	72	11 x 6.75"	784	4,196.00
HLRG79	103484979	Root Grapple – Skid Steer Quick Attach	79	12 x 6.75"	797	4,552.00
HLRG86	103484986	Root Grapple – Skid Steer Quick Attach	86	13 x 6.75"	841	4,907.00

ACCESSORIES

Part No.	Description	Quantity	Price
1038127	Bucket Step Kit	5	▲
1038129	88" Long Hose Kit	4	\$ 83.00

AUXILIARY VALVE KITS

Part No.	Description	Shipping Wt. (lbs.)	Suggested List Price
1036680	Auxiliary Valve Kit for Kubota® LA764 Loaders on Kubota L4600 Tractors **	27	\$ 1,083.00
1036695	Auxiliary Valve Kit for Case IH® L530 Loaders on Case IH Farmall 45A/55A Tractors and for New Holland® 615TL Loaders on New Holland Workmaster 45/55 Tractors **	21	1,083.00

** May fit additional tractor models. Contact Woods Technical Services for assistance.

▲ Please refer to the Woods Genuine Parts program and price list for discount and price at <http://dealer.woodsequipment.com>.

Prices and specifications subject to change without notice.
 Prices effective January 1, 2021. Supersedes all previous pricing.
 Woods reserves the right to limit quantities and apply surcharges at any time.

The attachments in this section are designed to fit various models of front end loaders and skid steer loaders.

Heavy-Duty, Low-Profile Scrap Grapples

FEATURES:

Compatible with Skid Steer (ISO 24410) Quick Attach Systems

Made with grade 80 steel – 2x stronger than mild steel – reducing the weight but maintaining the strength required for any skid steer or tractor application

Single, beveled cutting edge with back-up bar

Twin hydraulic cylinders allow for independent clamping on uneven material while cylinder placement improves visibility

Cylinder guards standard, protecting rods and hoses for longer life

Optional bolt-on, double beveled edge kits enhance versatility

Greasable Pivots

Hydraulic hoses and QD couplers (per ISO standard 16028) included

Ag Tractor Sizes: 45 – 100 hp (up to 10,000 lbs.)

Length: 35"

Height: 27"

Grapple Opening: 39"

Grapple Width: 19"

Cylinder Bore: 2.76"

Cylinder Rod: 1.38"

Pivot Pins: 1.25"

Alitec Discounts Apply



Model No.	Part No.	Description	Width (in.)	Heaped Capacity (cu. ft.)	Shipping Wt. (lbs.)	Suggested List Price
HLSG66	103400066	Scrap Grapple – Skid Steer Quick Attach	66	15.1	867	\$ 3,881.00
HLSG73	103400073	Scrap Grapple – Skid Steer Quick Attach	73	16.9	896	4,121.00
HLSG78	103400078	Scrap Grapple – Skid Steer Quick Attach	78	18.1	923	4,434.00
HLSG84	103400084	Scrap Grapple – Skid Steer Quick Attach	84	19.5	941	4,789.00

ACCESSORIES

Part No.	Description	Shipping Wt. (lbs.)	Suggested List Price
1014176K	66" Bolt-on Cutting Edge Kit	66	\$ 243.00
1014177K	73" Bolt-on Cutting Edge Kit	73	263.00
1014178K	78" Bolt-on Cutting Edge Kit	78	283.00
1014179K	84" Bolt-on Cutting Edge Kit	84	321.00
1038127	Bucket Step Kit	5	▲
1038129	88" Long Hose Kit	4	83.00

AUXILIARY VALVE KITS

Part No.	Description	Shipping Wt. (lbs.)	Suggested List Price
1036680	Auxiliary Valve Kit for Kubota® LA764 Loaders on Kubota L4600 Tractors **	27	\$ 1,083.00
1036695	Auxiliary Valve Kit for Case IH® L530 Loaders on Case IH Farmall 45A/55A Tractors and for New Holland® 615TL Loaders on New Holland Workmaster 45/55 Tractors **	21	1,083.00

** May fit additional tractor models. Contact Woods Technical Services for assistance.

▲ Please refer to the Woods Genuine Parts program and price list for discount and price at <http://dealer.woodsequipment.com>.

Prices and specifications subject to change without notice.
 Prices effective January 1, 2021. Supersedes all previous pricing.
 Woods reserves the right to limit quantities and apply surcharges at any time.

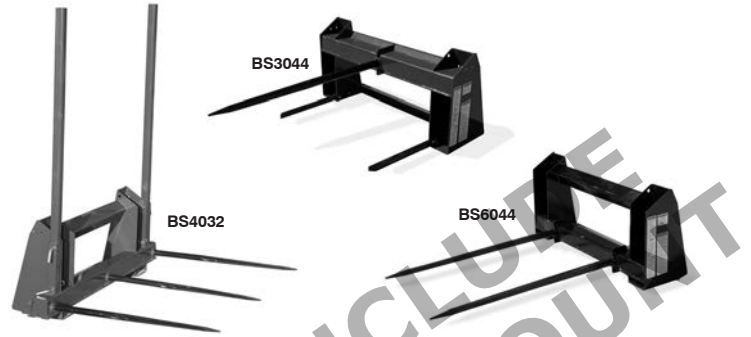
LOADER ATTACHMENTS – BALE SPEARS, MOUNTING BRACKETS

The attachments in this section are designed to fit various models of front end loaders and skid steer loaders.

Bale Spears for ISO 24410 Skid Steer and ISO 23206 Euro Quick Attach Systems

FEATURES:

- Maximum carry load: 3,000 – 6,000 lbs.
- 45mm (BS3044, BS6044) and 36mm (BS4032) diameter drop-forged steel spears
- Single and Double Bale Spears frame dimensions (width x height): 45" x 21"
- Triple Bale Spear frame dimensions (width x height): 58" x 21" (66" overall height with standard vertical backstops)
- High-strength steel plate frames
- Optional step kit



SKID STEER (ISO 24410) QUICK ATTACH SYSTEM

Model No.	Part No.	Description	Qty. of Spears	Max. Carry Load (lbs.)	Spear Usable Length (in.)	Shipping Wt. (lbs.)	Suggested List Price	Qty. of 5 List Price *
BS3044S	1037170	Single Bale Spear with two Stabilizer Spikes – Skid Steer Quick Attach	1	3000	44	201	\$ 695.00	\$ 626.00
BS6044S	1037171	Double Bale Spear – Skid Steer Quick Attach	2	6000	44	223	845.00	761.00
BS4032S	1044700	Triple Bale Spear – Skid Steer Quick Attach	3	4000	32	275	950.00	855.00

* Order 5+ units in any combination of bale spears to receive an additional 10% discount.

EURO (ISO 23206) QUICK ATTACH SYSTEM

Model No.	Part No.	Description	Qty. of Spears	Max. Carry Load (lbs.)	Spear Usable Length (in.)	Shipping Wt. (lbs.)	Suggested List Price	Qty. of 5 List Price *
BS3044E	1037797	Single Bale Spear with two Stabilizer Spikes – Euro Quick Attach	1	3000	44	179	\$ 714.00	\$ 643.00
BS6044E	1037798	Double Bale Spear – Euro Quick Attach	2	6000	44	211	863.00	777.00
BS4032E	1044720	Triple Bale Spear – Euro Quick Attach	3	4000	32	263	973.00	876.00

* Order 5+ units in any combination of bale spears to receive an additional 10% discount.

ACCESSORIES

Part No.	Description	Shipping Wt. (lbs.)	Suggested List Price
1019883	Step Kit for Skid Steer Applications	3	\$ 35.00

Weld-On Mounting Brackets

FEATURES:

- Adapt attachments to fit with Woods® Spee-D-Change™ and Skid Steer (ISO 24410) Quick Attach Systems



Part No.	Description	Shipping Wt. (lbs.)	Suggested List Price
131103	Attachment Back Plate – Skid Steer Quick Attach and Case® 1835C/1838/1840/1845C	81	\$ 359.00
131111	Attachment Frame – fits Woods 110, 115, 195, 200/205/210, 215/255/260, 275, 305/310, 315/355/360 Spee-D-Change	57	313.00

Prices and specifications subject to change without notice.
 Prices effective January 1, 2021. Supersedes all previous pricing.
 Woods reserves the right to limit quantities and apply surcharges at any time.

LOADER ATTACHMENTS – PALLET FORKS

The attachments in this section are designed to fit various models of front end loaders and skid steer loaders.

Pallet Forks – Full Height and Walk-thru Frame

FEATURES:

- 2200-, 4400- and 6600-lb. fork capacity
- Certified, forged steel fork tines (ISO Class 2A) for long life
- Walk-thru frame and low step offer easy access and optimum visibility
- High back frame with movable walk-thru crossbar to fit your prime mover and application
- Standard clevis for lifting from a single, secure point on the frame with same lift capacity as the fork tines
- Compatible with Skid Steer (ISO 24410), John Deere® and Euro (ISO 23206) Quick Attach Systems



Model No.	Part No.	Description	Lift Cap. (lbs.)	Fork Tine Size (in.)	Shipping Wt. (lbs.)	Suggested List Price	Qty. of 5 List Price *
PFW2242S	1045980	Pallet Fork – Walk-thru Frame – Skid Steer Quick Attach	2200	42	328	\$ 1,056.00	\$ 950.00
PFW2242JD	1045970	Pallet Fork – Walk-thru Frame – JD Quick Attach	2200	42	302	1,072.00	965.00
PFW2242E	1045960	Pallet Fork – Walk-thru Frame – Euro Quick Attach	2200	42	278	1,091.00	982.00
PFW4442S	1042551	Pallet Fork – Walk-thru Frame – Skid Steer Quick Attach	4400	42	380	1,147.00	1,032.00
PFW4442JD	1045909	Pallet Fork – Walk-thru Frame – JD Quick Attach	4400	42	424	1,165.00	1,049.00
PF4448S	1045940	Pallet Fork – Full Frame – Skid Steer Quick Attach	4400	48	436	1,193.00	1,074.00
PFW4448S	1042552	Pallet Fork – Walk-thru Frame – Skid Steer Quick Attach	4400	48	380	1,165.00	1,049.00
PFW4448JD	1045910	Pallet Fork – Walk-thru Frame – JD Quick Attach	4400	48	424	1,182.00	1,064.00
PFW4448E	1045920	Pallet Fork – Walk-thru Frame – Euro Quick Attach	4400	48	414	1,199.00	1,079.00
PFW6648S	1045930	Pallet Fork – Walk-thru Frame – Skid Steer Quick Attach	6600	48	514	1,506.00	1,355.00
PFW6648E	1045950	Pallet Fork – Walk-thru Frame – Euro Quick Attach	6600	48	498	1,541.00	1,387.00

* Order 5+ units in any combination of pallet forks to receive an additional 10% discount.

ACCESSORIES

Part No.	Description	Shipping Wt. (lbs.)	Suggested List Price
1019883	Foot Step Kit	3	\$ 35.00

Prices and specifications subject to change without notice.
 Prices effective January 1, 2021. Supersedes all previous pricing.
 Woods reserves the right to limit quantities and apply surcharges at any time.

LOADER ATTACHMENTS COMPATIBLE WITH JOHN DEERE®

The attachments in this section are designed to fit John Deere® front end loaders.

Pallet Forks – Walk-thru Frame – Compatible with John Deere® Quick Attach

FEATURES:

- 2200- and 4400-lb. fork capacity
- Certified, forged steel fork tines (ISO Class 2A) for long life
- Walk-thru frame and low step offer easy access and optimum visibility
- High back frame with movable walk-thru crossbar to fit your prime mover and application
- Standard clevis for lifting from a single, secure point on the frame with same lift capacity as the fork tines
- Compatible with John Deere Quick Attach Systems



Model No.	Part No.	Description	Lift Capacity (lbs.)	Fork Tine Size (in.)	Shipping Wt. (lbs.)	Suggested List Price	Qty. of 5 List Price *
PFW2242JD	1045970	Pallet Fork – Walk-thru Frame – JD Quick Attach	2200	42	255	\$ 1,072.00	\$ 965.00
PFW4442JD	1045909	Pallet Fork – Walk-thru Frame – JD Quick Attach	4400	42	360	1,165.00	1,049.00
PFW4448JD	1045910	Pallet Fork – Walk-thru Frame – JD Quick Attach	4400	48	380	1,182.00	1,064.00

* Order 5+ units in any combination of pallet forks to receive an additional 10% discount.

ACCESSORIES

Part No.	Description	Shipping Wt. (lbs.)	Suggested List Price
1019883	Foot Step Kit	3	\$ 35.00

Bale Spear Compatible with John Deere® 300/400/500 Series Loaders Quick Attach Systems

FEATURES:

- Compatible with John Deere Quick Attach System
- Maximum carry load: 3,000 – 6,000 lbs.
- 45mm diameter drop-forged steel spear
- Single Bale Spear frame dimensions (width x height): 45" x 21"
- High-strength steel plate frames
- Optional step kit



Model No.	Part No.	Description	Qty. of Spears	Max. Carry Load (lbs.)	Spear Usable Length (in.)	Shipping Wt. (lbs.)	Suggested List Price	Qty. of 5 List Price *
BS3044JD	1037781	Single Bale Spear with two Stabilizer Spikes – JD Quick Attach	1	3000	44	201	\$ 706.00	\$ 635.00

* Order 5+ units of bale spears to receive an additional 10% discount.

ACCESSORIES

Part No.	Description	Shipping Wt. (lbs.)	Suggested List Price
1019883	Step Kit for Skid Steer Applications	3	\$ 35.00

Prices and specifications subject to change without notice.
 Prices effective January 1, 2021. Supersedes all previous pricing.
 Woods reserves the right to limit quantities and apply surcharges at any time.

LOADER ATTACHMENTS COMPATIBLE WITH KUBOTA®

The attachments in this section are designed to fit Kubota® front end loaders and skid steer loaders.

Optional Buckets for Kubota® Style Quick Attach System

FEATURES:

- Compatible with Kubota Skid Steer Quick Attach System
- Commercial grade bucket
- Round-back bucket allows easy and even material flow into and out of bucket
- High strength steel used throughout provides resistance to permanent deformation and increases wear resistance
- Fully welded inner reinforcement and compression bars for increased strength
- Painted orange to match Kubota

Part No.	Description	Kubota Loader Model	Width (in.)	Capacity (cu. ft.)	Shipping Wt. (lbs.)	Suggested List Price
1007312	Bucket – Kubota Skid Steer Quick Attach with BOE (#46384)	LA852-2, LA844	72	17.4	480	\$ 1,347.00

Note: Must be ordered in quantities of 6.

MISCELLANEOUS LOADER ACCESSORIES

Part No.	Description	Shipping Wt. (lbs.)	Suggested List Price
1036680	Auxiliary Valve Kit for Kubota LA764 Loaders on Kubota L4600 Tractors **	27	\$ 1,083.00
1036695	Auxiliary Valve Kit for Case IH® L530 Loaders on Case IH Farmall 45A/55A Tractors and for New Holland® 615TL Loaders on New Holland Workmaster 45/55 Tractors **	21	1,083.00

** May fit additional tractor models. Contact Woods® Technical Services for assistance.

Prices and specifications subject to change without notice.
 Prices effective January 1, 2021. Supersedes all previous pricing.
 Woods reserves the right to limit quantities and apply surcharges at any time.

**PRICING DOES NOT INCLUDE
CURRENT SURCHARGE AMOUNT**

TABLE OF CONTENTS

Tractor/Backhoe Adaptability Chart	BH2 – BH4
Groundbreaker [®]	BH5 – BH36
BH65	BH5 – BH9
BH75	BH10 – BH20
BH85	BH21 – BH28
BH100	BH29 – BH36

PRICING DOES NOT INCLUDE
CURRENT SURCHARGE AMOUNT

TRACTOR/BACKHOE ADAPTABILITY CHART

This chart is only to be used as a guide. For detailed information, refer to the Backhoe section indicated.

NOTE: Contact your Woods® representative for new series tractor mountings when not listed or Woods Equipment Company, Oregon Illinois, 1-800-319-6637 or go to dealer.woodsequipment.com.

Tractor Model	Backhoe Adaptation				Tractor Model	Backhoe Adaptation			
	BH65	BH75	BH85	BH100		BH65	BH75	BH85	BH100
AGCO®					FORD® & NEW HOLLAND®				
ST22A	X				1320/1520/1620/1715		X		
ST28A/ST33A		X			1530/1630/1725/1925		X		
ST34A/ST41A		X	X	X	1720		X		
ST35/ST40		X			1920		X		
ST47A/ST52A			X	X	Boomer 8N		X	X	X
BRANSON®					Boomer 20/25	X			
2910/3510/3820/4220/4720		X			Boomer 24	X			
CABELA'S®					Boomer 30/35		X		
LM43/LM45/LM50/LM55		X			Boomer 33/37		X		
CASE IH®					Boomer 40/50		X	X	X
D35/DX35/D40/DX40/D45/DX45		X	X	X	Boomer 40 (T4B)		X		
DX18E/DX22E/DX24E/DX25E	X				Boomer 41/47		X	X	X
DX21/DX23/DX24/DX26	X	X			Boomer 45/50/55 (Tier 4B Final)		X	X	X
DX29/D33/DX33		X			Boomer 2035		X		
DX31/DX34		X			Boomer 3040/3045/3050		X	X	X
DX48/DX55		X	X	X	T1010/T1030/T1110	X			
Farmall 30A/35A		X			T1510/T1520		X		
Farmall 30B/35B, Farmall 31/35		X			T1530		X		
Farmall 30C/35C		X			T2210/T2220		X		
Farmall 35A/40A (Series 2)		X			T2310/T2320/T2330		X	X	X
Farmall 40/45/50, Farmall 40B/50B		X	X	X	T2410/T2420		X	X	X
Farmall 40C/50C		X	X	X	TC18/TC21 (SN UF33357 & Later)/TC21A/TC24/TC24D		X		
Farmall 40C (Series 2)		X			TC21DA/TC23DA/TC24DA/TC26DA	X	X		
Farmall 45A/55A (Tier III only)		X	X	X	TC25/TC25D/TC29/TC29D/TC30/TC33/TC33D		X		
Farmall 45C/55C		X	X	X	TC29DA/TC33DA		X		
Farmall 45C/55C (Series 2)		X	X	X	TC31DA/TC34DA		X		
Farmall 50A/60A/70A		X	X	X	TC35/TC35A/TC35D/TC35DA		X	X	X
Farmall 55/60		X	X	X	TC40/TC40A/TC40D/TC40DA		X	X	X
CHALLENGER®					TC45/TC45A/TC45D/TC45DA		X	X	X
MT255B		X			TC48DA/TC55DA		X	X	X
MT265B/MT275B		X	X	X	TT45A/TT50A			X	X
MT285B/MT295B			X	X	TZ18DA/TZ22DA/TZ24DA/TZ25DA	X			
CUB CADET®					Workmaster 25		X		
7000/7192/7194/7195/7200/7205	X				Workmaster 25S	X			
7252/7254/7264/7284/7304	X				Workmaster 33/37 (Tier 4A)		X		
7260/7265/7274/7275/7300/7305		X			Workmaster 35/40 (Tier 3 only)		X		
8404		X			Workmaster 35/40 (Tier 4B Final)		X		
EX2900/EX3200		X			Workmaster 45/55 (Tier III only)		X	X	X
SC2400	X				Workmaster 50/60/70		X	X	X

Prices and specifications subject to change without notice.
 Prices effective January 1, 2021. Supersedes all previous pricing.
 Woods reserves the right to limit quantities and apply surcharges at any time.

TRACTOR/BACKHOE ADAPTABILITY CHART

Tractor Model	Backhoe Adaptation				Tractor Model	Backhoe Adaptation			
	BH65	BH75	BH85	BH100		BH65	BH75	BH85	BH100
JOHN DEERE®					KUBOTA® (Continued)				
790		X			B7300 HSD		X		
850/950/1050		X			B7400/B7500		X		
855/955		X			B7410/B7510/B7610	X	X		
870		X			B7800	X	X		
970/1070		X			B8200		X		
990		X			BX1800/BX1830/BX1860/BX2200/BX2230	X			
1023E/1025R	X				BX1850/BX2350/BX2360/BX2660	X			
2210	X				L2050/L2350/L2500		X		
2305	X				L2250		X		
2320/2520/2720/2025R (Prior to 1LV2025RCHH100000)	X				L2501/L2800/L3301/L3400/L3901		X		
3005		X			L2550/L2650/L2850/L2950		X		
3025D/3035D/3043D		X			L2600/L3000		X		
3025E/3032E/3038E		X			L2900/L3300/L3010/L3410		X	X	X
3033R/3039R/3046R		X			L3130/L3430/L3830		X	X	X
3120/3320/3520/3720		X			L3200/L3800		X		
3203		X			L3240/L3540 (All Series)		X	X	X
4044M/4044R/4052M/4052R/4066M/4066R		X	X	X	L3430		X		
4110/4115	X				L3560		X	X	X
4120/4320/4520/4720		X	X	X	L3600/L4200/L3710/L4310		X	X	X
4200/4300/4400		X			L3700SU		X		
4210/4310/4410		X			L3940		X	X	X
4500/4600/4700		X	X	X	L3940 Series 1			X	X
4510/4610/4710		X	X	X	L3940-3/L4240-3/L4740-3		X	X	X
5045E/5055E/5065E/5075E (Tier IV)			X	X	L4060/L4760		X	X	X
5065E/5075E (Except Tier IV)			X	X	L4240/L4740		X	X	X
5103/5203/5303			X	X	L4240/L4740 Series 1			X	X
5105/5205			X	X	L4300		X	X	X
5200/5300/5400/5500			X	X	L4330/L4630		X	X	X
5210/5310/5410/5510			X	X	L4600		X	X	X
KIOTI®					L4610			X	X
CK25/CK30/CK35 & HST		X			L4701		X	X	X
DK40		X			L5030		X	X	X
DK55		X	X	X	L5040/L5240/L5740		X	X	X
KUBOTA®					L5060/L5460/L6060		X	X	X
B1700/B2100/B2400		X			L5240/L5740 HSTC-3			X	X
B2150		X			M4700/M5400			X	X
B2320/B2620/B2920	X	X			M4800/M4800SU/M4900/M4900SU/M5700			X	X
B2400	X				M5040/M5140/M6040/M7040			X	X
B2410	X	X			M5140			X	X
B2630/B3030	X	X			M6060/M7060			X	X
B2710/B2910	X	X			M8540/M9540			X	X
B3000		X			MX4800/MX5200/MX5800		X	X	X
B3200/B3300SU	X	X			MX5000			X	X
					MX5100			X	X

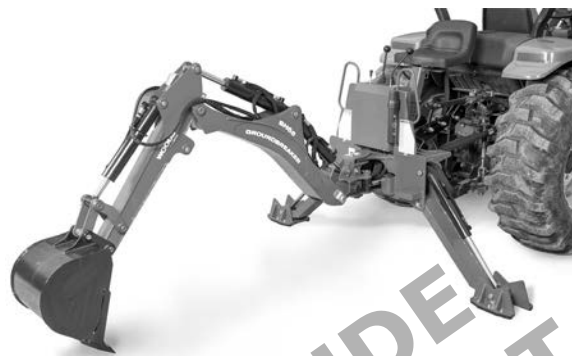
Prices and specifications subject to change without notice.
 Prices effective January 1, 2021. Supersedes all previous pricing.
 Woods reserves the right to limit quantities and apply surcharges at any time.

BACKHOE – TRACTOR MOUNTED

6.5-foot – BH65 Groundbreaker®

FEATURES:

- Excavator style curved boom for better visibility
- Woods' unique easy on/easy off 4-point mounting – **EXCLUSIVE FEATURE** no tools required
- Available mechanical thumb
- Available 3-point hitch SAF-T-LOK® mounting
- Large walk-through operator's platform
- Mountings compatible with 3-point and sub-frames
- 2-year warranty



Specifications:

Tractor PTO HP	15 – 30 hp
Digging Depth (2-foot flat bottom)	6 feet, 6 inches
Swing Arc	150 degrees
Bucket Rotation	180 degrees
Loading Height	5 feet
Loading Reach	2 feet, 9.5 inches
Transport Height	5 feet, 6.5 inches
Reach from Swing Pivot	8 feet, 6 inches
Dipperstick Digging Force	1590 lbs.
Bucket Digging Force	2800 lbs.
Required Hydraulic Flow	3 – 5 gpm
Rated Pressure	2030 psi

WARNING

To avoid hitch failure and possible operator injury, before mounting the BH65 backhoe to the tractor 3-point hitch, verify that the hitch meets ASABE Category 1 standards. Also observe the maximum and minimum hitch dimensions described in the safety and assembly sections of the Operator's Manuals. Woods® makes no warranty, implied or otherwise, concerning the structural integrity of any tractor's 3-point hitch or tractor frame housing assembly. Sub-frame kits, listed on the following pages, are required for all tractors listed, unless otherwise noted. If tractor is not equipped with front end loader, front end ballast is required for safety and stability.

NOTE: Includes basic unit only. Does not include bucket, mounting kit, seat or hydraulic kit. Order from below to complete.

BH65 - BASE UNIT (WITHOUT THUMB)

Part No.	Description	Shipping Wt. (lbs.)	Suggested List Price
1040300	Universal Black	695	\$ 6,010.00
1040301	Green to match John Deere®	695	6,010.00
1040304	Orange to match Kubota®/Kioti®	695	6,010.00
1040306	Red to match Massey Ferguson®	695	6,010.00
1040307	Vibrant Blue to match New Holland®	695	6,010.00

BH65 WITH MECHANICAL THUMB*

Part No.	Description	Shipping Wt. (lbs.)	Suggested List Price
1040300T	Universal Black w/Thumb	754	\$ 6,583.00
1040301T	Green to match John Deere® w/Thumb	754	6,583.00
1040304T	Orange to match Kubota®/Kioti® w/Thumb	754	6,583.00
1040306T	Red to match MF w/Thumb	754	6,583.00
1040307T	Vibrant Blue to match NH w/Thumb	754	6,583.00

* Fits with 12" and 16" buckets.

BUCKETS

Part No.	Description	Bucket Capacity (cu. ft.)	Shipping Wt. (lbs.)	Suggested List Price
1038209	9" Bucket – Standard-Duty	0.76	57	\$ 438.00
1038212	12" Bucket – Standard-Duty	1.10	68	488.00
1038216	16" Bucket – Standard-Duty	1.56	83	543.00

Prices and specifications subject to change without notice.
 Prices effective January 1, 2021. Supersedes all previous pricing.
 Woods reserves the right to limit quantities and apply surcharges at any time.

BACKHOE – TRACTOR MOUNTED

6.5-foot – BH65 Groundbreaker® (Continued)

BH65 BACKHOE REQUIRED TRACTOR SUB-FRAME ORDER REFERENCE LIST

GROUP 1: SUB-FRAME

Note: Sub-frames include tractor seat conversion kit or Woods® seat (Notes 2 & 3).

Tractor Model	Fits Tractor Types				Mount Type	Part No.	Suggested List Price	Hose Kit for Tractor Hydraulics	Hose Kit for Tractor Remotes	OEM Loader Compatible	OEM Mid-Mower Compatible	Woods Loader Compat.	Ship Wt. (lbs.)	Notes
	2WD	FWA	ROPS	CAB										
AGCO®														
ST22A		X			4-pt.	1041452	\$ 1,505.00	1041282	N/A	LS40A	SM54A, SM59A	LS72, 1005	190	1, 3, 13
CASE IH®														
DX18E/DX22E/ DX24E/DX25E		X	X		4-pt.	1041450	1,860.00	1041280	N/A	LX110	MWX154S, MWX160S	LS72, 1005	199	1, 2, 4
DX21/DX23/ DX24/DX26		X	X		4-pt.	1041460	1,635.00	1041249	N/A	LX112	N/A	LS84, 1006	340	1, 3, 4
CUB CADET®														
7000/7192/7194/ 7195/7200/7205		X	X		4-pt.	1041458	1,876.00	1041230	N/A	475	BSMM1560, Woods C360	LS84, 1006	TBD	1, 3
7252/7254/7264/ 7284/7304		X	X		4-pt.	1041459	2,147.00	1041285	N/A	610	54", 60"	LS84, 1006	249	1, 3, 4, 7, 8
SC2400		X	X		4-pt.	1041470	1,231.00	1041290	N/A	CL100	MM60RSE	LS72	207	1, 3, 10, 15
FORD® & NEW HOLLAND®														
Boomer 20/25		X	X		4-pt.	1041475	1,907.00	1041292	N/A	235TLA	N/A	N/A	250	1, 3
Boomer 24		X	X		4-pt.	1044475	1,757.00	1044479	N/A	235TL	N/A	LS72	185	1
T1010/T1030/T1110		X	X		4-pt.	1041450	1,860.00	1041280	N/A	10LA, 210TL	60CMS, 230GM	LS72	199	1, 2, 4
TC21DA/TC23DA/ TC24DA/TC26DA		X	X		4-pt.	1041460	1,635.00	1041249	N/A	12LA	N/A	LS84, 1006, 1008	340	1, 3, 4
TZ18DA/TZ22DA/ TZ24DA/TZ25DA		X	X		4-pt.	1041450	1,860.00	1041280	N/A	10LA	54CMS, 60CMS	LS72, 1005	199	1, 2, 4
Workmaster 25S		X	X		4-pt.	602234	1,955.00	606320	N/A	100LC	160CMS	N/A	225	1
JOHN DEERE®														
1023E/1025R	X	X	X		4-pt.	1044165	2,108.00	1044604	N/A	D120, H120	N/A	LS72	210	1
2210		X	X		4-pt.	1041453	1,860.00	1041283	N/A	200CX, 210	54C, 62C	LS72, 1005	189	1, 3, 4
2305		X	X		4-pt.	1041464	1,635.00	1041283	N/A	200X, 200CX	54C, 62C	LS72, 1005	TBD	1, 2, 4, 9
2320, 2025R (Prior to 1LV2025RCHH100000)		X	X		4-pt.	1041468	1,577.00	1041289	N/A	200CX	62", 72"	LS72	293	1, 3, 9, 11, 14
2520/2720		X	X		4-pt.	1041466	1,400.00	1041288	N/A	200CX	62", 72"	1006	249	1, 3, 9, 11, 12
4110/4115	X	X	X		4-pt.	1041462	1,448.00	1041286	N/A	410	60"	1006	257	1, 3, 4, 5, 6, 11

Reference list continued on following page.
See NOTES on page BH9.

Prices and specifications subject to change without notice.
Prices effective January 1, 2021. Supersedes all previous pricing.
Woods reserves the right to limit quantities and apply surcharges at any time.

BACKHOE – TRACTOR MOUNTED

6.5-foot – BH65 Groundbreaker® (Continued)

BH65 BACKHOE REQUIRED TRACTOR SUB-FRAME ORDER REFERENCE LIST (Continued)

GROUP 1: SUB-FRAME (Continued)

Note: Sub-frames include tractor seat conversion kit or Woods® seat (Notes 2 & 3).

Tractor Model	Fits Tractor Types				Mount Type	Part No.	Suggested List Price	Hose Kit for Tractor Hydraulics	Hose Kit for Tractor Remotes	OEM Loader Compatible	OEM Mid-Mower Compatible	Woods Loader Compat.	Ship Wt. (lbs.)	Notes
	2WD	FWA	ROPS	CAB										
KUBOTA®														
B2320/B2620/B2920		X	X		4-pt.	1041469	\$ 1,882.00	1041273	N/A	LA304, LA364	RCK54-29B, RCK60-29B	LS72, LS84	291	1, 3
B2400/B2410/B7410/B7510/B7610	X	X	X		4-pt.	1041455	1,486.00	1041262	N/A	LA272FL-1, LA302FL-1, LA352FL-1	RCK54, RCK60	LS84, 1006	309	1, 3, 4
B2630/B3030		X	X		4-pt.	1041461	1,861.00	1041250	N/A	LA403	RCK60-30B	LS84, 1006, 1008	TBD	1, 3, 16
B2710/B2910/B7800	X	X	X		4-pt.	1041456	1,860.00	1041262	N/A	LA402-1	RCK60, RCK72	LS84, 1006, 1008	384	1, 3, 4
B3200		X	X		4-pt.	1041474	1,860.00	1041273	N/A	LA504	RCK60-27BA, RCK72-27BA	LS84	TBD	1, 3
B3300SU		X	X		4-pt.	1041474	1,860.00	1041273	N/A	LA504	N/A	LS84	TBD	1, 3
BX1800/BX1830/BX2200/BX2230		X	X		4-pt.	1041451	1,562.00	1041281	N/A	LA211	RCK54, RCK60B	LS72, 1005	184	1, 2, 4
BX1850/BX2350		X	X		4-pt.	1041465	1,695.00	1041287	N/A	LA203, LA243	RCK54-23BX, RCK54P-23BX, RCK60B-23BX	LS72, 1005	195	1, 2, 4, 10
BX1860/BX2360/BX2660		X	X		4-pt.	1041471	1,562.00	1041287	N/A	LA203, LA243	RCK54-23BX, RCK54P-23BX, RCK60B-23BX	LS72, 1005	187	1, 2, 4, 10
MAHINDRA®														
2015		X	X		4-pt.	1041458	1,876.00	1041230	N/A	ML104	WMM1560	LS84, 1006, 1008	TBD	1, 3
2415/2516		X	X		4-pt.	1041467	1,484.00	1041264	N/A	ML105	WMM1560	LS84	292	1, 13
eMax 22/25		X	X		4-pt.	1042145	1,635.00	1042146	N/A	25L	N/A	LS84	221	1, 3, 17
Max 26XL/28XL		X	X		4-pt.	1041467	1,484.00	1042070	N/A	26L	N/A	N/A	292	1
MASSEY FERGUSON®														
1526		X	X		4-pt.	618150	1,770.00	618151	N/A	FLx2106	1505	N/A	165	1, 18
1529/1532		X	X		4-pt.	1041472	1,614.00	1041266	N/A	L100	N/A	LC96, LC102	349	1, 3
GC1723E/GC1725M		X	X		4-pt.	618160	1,671.00	618161	N/A	FL1805	2326	N/A	160	1, 2
GC2300		X			4-pt.	1041452	1,505.00	1041282	N/A	2350	2315, 2320, 2325	LS72, 1005	190	1, 3, 13
GC2400/GC2600		X			4-pt.	1041473	1,635.00	1041293	N/A	DL100	2315, 2320, 2325	LS72	163	1, 3, 13
TYM														
T254 HST		X	X		4-pt.	1042145	1,635.00	1042146	N/A	N/A	N/A	LS84	221	1, 3, 17
YANMAR®														
SC2400		X	X		4-pt.	1041470	1,231.00	1041290	N/A	CL100	MM60RSE	LS72	207	1, 3, 10, 15

See NOTES on page BH9.

Prices and specifications subject to change without notice.
 Prices effective January 1, 2021. Supersedes all previous pricing.
 Woods reserves the right to limit quantities and apply surcharges at any time.

BACKHOE – TRACTOR MOUNTED

6.5-foot – BH65 Groundbreaker® (Continued)

MOUNTING KIT – 3-POINT HITCH FOR COMPACT 18 – 30 PTO HP TRACTORS

Part No.	Description	Shipping Wt. (lbs.)	Suggested List Price
1040225	Woods® SAF-T-LOK® 3-pt. hitch mounting kit (Includes seat) – Category 1	115	\$ 996.00

NOTE: Requires minimum 2000 lb. tractor including loader or ballast and Category 1 3-pt. hitch with a minimum of 800 lb. lift capacity at 24”.

GROUP 2: HYDRAULICS

Part No.	Description	Shipping Wt. (lbs.)	Suggested List Price
606320	Hose Kit – reference mounting kit 602234	16	\$ 418.00
618151	Hose Kit – reference mounting kit 618150	18	226.00
618161	Hose Kit – reference mounting kit 618160	160	374.00
1041230	Hose Kit – reference mounting kit 1041458	13	386.00
1041249	Hose Kit – reference mounting kit 1041460	12	279.00
1041250	Hose Kit – reference mounting kit 1041461	15	328.00
1041262	Hose Kit – reference mounting kit 1041455/1041456	11	277.00
1041264	Hose Kit – reference mounting kit 1041467	TBD	293.00
1041266	Hose Kit – reference mounting kit 1041472	8	345.00
1041273	Hose Kit – reference mounting kit 1041469/1041474	9	186.00
1041280	Hose Kit – reference mounting kit 1041450	8	142.00
1041281	Hose Kit – reference mounting kit 1041451	9	224.00
1041282	Hose Kit – reference mounting kit 1041452	11	234.00
1041283	Hose Kit – reference mounting kit 1041453/1041464	8	257.00
1041285	Hose Kit – reference mounting kit 1041459	11	239.00
1041286	Hose Kit – reference mounting kit 1041462	6	106.00
1041287	Hose Kit – reference mounting kit 1041465/1041471	7	240.00
1041288	Hose Kit – reference mounting kit 1041466	27	83.00
1041289	Hose Kit – reference mounting kit 1041468	16	335.00
1041290	Hose Kit – reference mounting kit 1041470	7	129.00
1041292	Hose Kit – reference mounting kit 1041475	9	203.00
1041293	Hose Kit – reference mounting kit 1041473, converts BH6000 sub-frame for use with BH65	4	118.00
1042070	Hose Kit – reference mounting kit 1041467	9	329.00
1042146	Hose Kit – reference mounting kit 1042145	9	337.00
1044479	Hose Kit – reference mounting kit 1044475	20	303.00
1044604	Hose Kit – reference mounting kit 1044165	5	171.00

THUMB KIT (Dealer-Installed)

1039410	Dealer-Installed Mechanical Thumb Kit (Fits with 12” and 16” buckets)	59	\$ 562.00
---------	---	----	-----------

MISCELLANEOUS ACCESSORIES/KITS

1006610KT	Street Pad Kit	5	\$ 203.00
1007259	Wheel Counterweight Kit	80	360.00
1016450	Wheel Spacer Kit (See note 11 on page BH9)	20	138.00

Prices and specifications subject to change without notice.
 Prices effective January 1, 2021. Supersedes all previous pricing.
 Woods reserves the right to limit quantities and apply surcharges at any time.

BACKHOE – TRACTOR MOUNTED**6.5-foot – BH65 Groundbreaker® (Continued)****NOTES:**

1. Tractor must be equipped with Woods® or OEM loader.
2. Seat conversion kit (to use OEM seat purchased with tractor) is provided.
3. Woods seat provided as component of mounting kit.
4. Sub-frame required. Do NOT use 3-point hitch kit.
5. Backhoe mounting kit is compatible with OEM mid-mower, and requires John Deere® lock-up kit for mower.
6. Tractor must be equipped with John Deere PBY kit #BM19290.
7. Tractor requires OEM valve kit #590-620-100.
8. Front wheel weight kit #1007259 is recommended (see Accessories section on previous page).
9. Backhoe is NOT compatible with independent hydraulic lift kit for mid-mower.
10. Operators who are 6' tall or taller may not have adequate, comfortable head clearance with the ROPS on the Cub Cadet®/Yanmar® SC2400 and Kubota® BX1850, BX2350, BX2360 or BX2660 tractor while operating this backhoe. In some cases, use of a hard hat or other protective head gear may be necessary.
11. Must order wheel spacer kit #1016450 when mounting on JD2320, JD2520, JD2720, JD4110 or JD2025R.
12. Tractor must be equipped with John Deere PBY kit #LVB25603.
13. Backhoe may be installed with mid-mower in raised locked position. Remove backhoe to use mid-mower.
14. Tractor must be equipped with John Deere dual Selective Control Valve (SCV).
15. Tractor must be equipped with mid-mount valve for BH hydraulics.
16. Must order Kubota wheel spacer kit #B8785 for Kubota B3030 tractor equipped with turf tires.
17. Not recommended for use with industrial tires (27x12, 50-15 NHS).
18. Tractor's lower 3-point hitch links may be left in place unless using PTO pump kit.

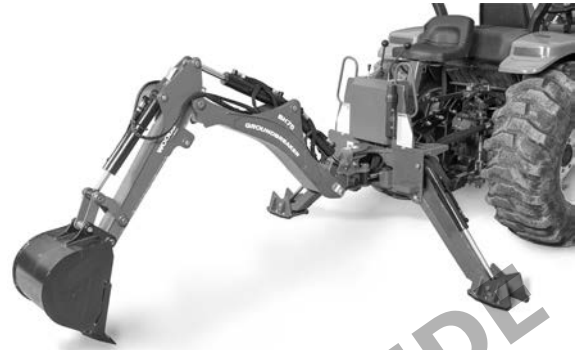
Prices and specifications subject to change without notice.
Prices effective January 1, 2021. Supersedes all previous pricing.
Woods reserves the right to limit quantities and apply surcharges at any time.

BACKHOE – TRACTOR MOUNTED

7.5-foot – BH75 Groundbreaker®

FEATURES:

- Excavator style curved boom for better visibility
- Two-cylinder swing mechanism
- Woods' unique easy on/easy off 4-point mounting – **EXCLUSIVE FEATURE**
no tools required (system available for many tractor models)
- Available mechanical thumb
- Available 3-point hitch SAF-T-LOK® mounting
- Adjustable cushioned seat
- Large walk-through operator's platform
- Mountings compatible with 3-point and sub-frames
- 2-year warranty



Specifications:

Tractor PTO HP	20 – 40 hp
Digging Depth (2-foot flat bottom)	7 feet, 6 inches
Swing Arc	180 degrees
Bucket Rotation	180 degrees
Loading Height	6 feet, 1 inch
Loading Reach	3 feet, 10 inches
Transport Height	6 feet, 2 inches
Reach from Swing Pivot	9 feet, 11 inches
Dipperstick Digging Force	2230 lbs.
Bucket Digging Force	3380 lbs.
Required Hydraulic Flow	4 – 6 gpm
Rated Pressure	2470 psi

WARNING

To avoid hitch failure and possible operator injury, before mounting the BH75 backhoe to the tractor 3-point hitch, verify that the hitch meets ASABE standards. Also observe the maximum and minimum hitch dimensions described in the safety and assembly sections of the Operator's Manuals. Woods® makes no warranty, implied or otherwise, concerning the structural integrity of any tractor's 3-point hitch or tractor frame housing assembly. Sub-frame kits, listed on the following pages, are required for all tractors listed. If tractor is not equipped with front end loader, front end ballast is required for safety and stability. Skid steer mounting kits are required for all skid steers.

NOTE: Includes basic unit only. Does not include bucket, mounting kit or hydraulic kit. Order from below to complete.

BH75 - BASE UNIT (WITHOUT THUMB)

Part No.	Description	Shipping Wt. (lbs.)	Suggested List Price
1040320	Universal Black	842	\$ 6,429.00
1040321	Green to match John Deere®	842	6,429.00
1040324	Orange to match Kubota®/Kioti®	842	6,429.00
1040326	Red to match Massey Ferguson®	842	6,429.00
1040327	Vibrant Blue to match New Holland®	842	6,429.00

BH75 WITH MECHANICAL THUMB*

Part No.	Description	Shipping Wt. (lbs.)	Suggested List Price
1040320T	Universal Black w/Thumb	903	\$ 7,011.00
1040321T	Green to match John Deere® w/Thumb	903	7,011.00
1040324T	Orange to match Kubota®/Kioti® w/Thumb	903	7,011.00
1040326T	Red to match MF w/Thumb	903	7,011.00
1040327T	Vibrant Blue to match NH w/Thumb	903	7,011.00

* Fits with 16", 18" and 24" buckets.

BUCKETS

Part No.	Description	Bucket Capacity (cu. ft.)	Shipping Wt. (lbs.)	Suggested List Price
1038209	9" Bucket – Standard-Duty	0.76	57	\$ 438.00
1038212	12" Bucket – Standard-Duty	1.10	68	488.00
1038216	16" Bucket – Standard-Duty	1.56	83	543.00
1038218	18" Bucket – Heavy-Duty	1.90	99	691.00
1038224	24" Bucket – Heavy-Duty	2.67	122	835.00

Prices and specifications subject to change without notice.
 Prices effective January 1, 2021. Supersedes all previous pricing.
 Woods reserves the right to limit quantities and apply surcharges at any time.

BACKHOE – TRACTOR MOUNTED

7.5-foot – BH75 Groundbreaker® (Continued)

MOUNTING KITS – Choose from Group 1 or Group 2 (Some tractors require a backhoe sub-frame as noted below & on the following pages.)

BH75 BACKHOE REQUIRED TRACTOR SUB-FRAME ORDER REFERENCE LIST

GROUP 1: SUB-FRAME

Tractor Model	Fits Tractor Types				Mount Type	Suggested Part No.	Suggested List Price	Hose Kit for Tractor Hydraulics	Hose Kit for Tractor Remotes	OEM Loader Compat.	OEM Mid-Mower Compat.	Woods® Loader Compatible	Mount Ship Wt. (lbs.)	Notes
	2WD	FWA	ROPS	CAB										
AGCO®														
ST28A/ST33A		X	X		4-pt.	1027840	\$ 1,507.00	1041254	N/A	SL44A	N/A	LS84	300	1
ST34A/ST41A		X	X		4-pt.	1013302	1,536.00	1041248	N/A	1525	SM72A	LC96, LC102, 1008, 1009, 1012	310	1, 19, 22
ST35/ST40	X	X	X		4-pt.	1008546	1,536.00	1041235	N/A	1246, 1466	N/A	LC96, LC102, 1008, 1009, 1012	363	1, 17
BRANSON®														
2910/3510/3820/ 4220/4720		X	X		4-pt.	1041480	1,842.00	1041275	N/A	BL10A, BL20A	N/A	LC96, LC102, LC108, 1009, 1012, 1016	426	1, 19
CABELA'S®														
LM43/LM45/ LM50/LM55		X	X	X	4-pt.	1037293	1,715.00	1037294	N/A	LD96	N/A	LC102, LC108	375	1
CASE IH®														
D35/DX35/D40/DX40/ D45/DX45	X	X	X	X	4-pt.	1025575	2,361.00	See Notes	N/A	LX116	N/A	LC96, LC102, LC108, 1009, 1012, 1016	557	1, 36
DX21/DX23/DX24/ DX26		X	X		4-pt.	1013300	1,686.00	1041249	N/A	LX112	N/A	LS84, 1006	325	1
DX29/D33/DX33	X	X	X		4-pt.	1013460	1,368.00	See Notes	N/A	LX114	N/A	LC96, LC102, 1008, 1009, 1012	351	1, 9, 12, 19, 35
DX31/DX34		X	X		4-pt.	1013460	1,368.00	See Notes	N/A	LX114	N/A	LC96, LC102, 1008, 1009, 1012	351	1, 19, 35
DX48/DX55	X	X	X		4-pt.	1020698	1,921.00	1041256	N/A	LX118	N/A	LC108, LC114, 1020	434	1
Farmall 30A/35A		X	X		4-pt.	1042850	1,508.00	1042852	N/A	140TL	N/A	LS96R	367	1
Farmall 30B/35B		X	X		4-pt.	1037631	1,276.00	1041268	N/A	L340	N/A	LC96, LC102	350	1, 26
Farmall 30C/35C		X	X		4-pt.	1041850	1,863.00	1041867	N/A	L350A	N/A	LS96R	350	1
Farmall 31/35		X	X		4-pt.	1013460	1,368.00	See Notes	N/A	L340	N/A	LC96, LC102, 1008, 1009, 1012	351	1, 19, 35
Farmall 35A/40A (Series 2)		X	X		4-pt.	1042850	1,508.00	1041867	N/A	L340A	N/A	LS96R	367	1, 26
Farmall 40/45/50	X	X	X	X	4-pt.	1025575	2,361.00	See Notes	N/A	L350, LX116	N/A	LC96, LC102, LC108, 1009, 1012, 1016	557	1, 36
Farmall 40B/50B		X	X		4-pt.	1031327	1,982.00	1041269	N/A	L350	N/A	LC96, LC102	418	1
Farmall 40C/50C		X	X		4-pt.	1042150	1,863.00	1042170	N/A	L360A	N/A	LC102, LC108	432	1
Farmall 40C/50C		X		X	4-pt.	1044150	1,919.00	1042170	N/A	L360A	N/A	N/A	435	1
Farmall 40C (Series 2)		X		X	4-pt.	604350	2,054.00	604351	N/A	L360A	N/A	N/A	435	1

Reference list continued on following page.
See NOTES on page BH20.

Prices and specifications subject to change without notice.
Prices effective January 1, 2021. Supersedes all previous pricing.
Woods reserves the right to limit quantities and apply surcharges at any time.

BACKHOE – TRACTOR MOUNTED
7.5-foot – BH75 Groundbreaker® (Continued)

BH75 BACKHOE REQUIRED TRACTOR SUB-FRAME ORDER REFERENCE LIST (Continued)

GROUP 1: SUB-FRAME (Continued)

Tractor Model	Fits Tractor Types				Mount Type	Part No.	Suggested List Price	Hose Kit for Tractor Hydraulics	Hose Kit for Tractor Remotes	OEM Loader Compat.	OEM Mid-Mower Compat.	Woods® Loader Compatible	Mount Ship Wt. (lbs.)	Notes
	2WD	FWA	ROPS	CAB										
CASE IH® (Continued)														
Farmall 45A/55A (Tier III only)	X	X	X		4-pt.	1035169	\$ 1,918.00	1041263	N/A	615TL, L530	N/A	LC108, LC114	440	1
Farmall 45C/55C		X	X		4-pt.	1042150	1,863.00	1042170	N/A	L360A	N/A	N/A	432	1
Farmall 45C/55C (Series 2)		X		X	4-pt.	1044150	1,919.00	1042170	N/A	L360A	N/A	N/A	499	1
Farmall 50A/60A/70A	X	X	X		4-pt.	1043220	1,920.00	1043393	N/A	L545, L555	N/A	LC108, LC114	544	1
Farmall 55/60		X	X	X	4-pt.	1020698	1,921.00	1041256	N/A	L360	N/A	LC108, LC114	434	1
CHALLENGER®														
MT255B		X	X		4-pt.	1027840	1,507.00	1041254	N/A	ML20B	N/A	LS84	300	1
MT265B/MT275B		X	X		4-pt.	1013302	1,536.00	1041248	N/A	ML30B	72"	LC96, LC102, 1008, 1009, 1012	310	1, 19, 22
CUB CADET®														
7260/7265/7274/7275/7300/7305	X	X	X		Sub-frame	1002774	1,186.00	1041229	N/A	476	N/A	LC96, LC102, 1009, 1012	228	1
8404		X	X		Sub-frame	1004327	1,536.00	1041231	N/A	N/A	N/A	LC96, LC102, LC108, 1009, 1012, 1016	338	1
EX2900/EX3200		X	X		4-pt.	1027810	1,550.00	1043205	N/A	CL300	N/A	LS84, LC96	329	1
FORD® & NEW HOLLAND®														
1320/1520/1620/1715	X	X	X		Sub-frame	1016316	1,639.00	N/A	N/A	7108, 7308	N/A	LC96, LC102, 1009, 1012	250	5
1530/1630/1725/1925, TC25/TC25D/TC29/TC29D/TC30/TC33/TC33D	X	X	X		Sub-frame	1001560	1,536.00	N/A	N/A	7308, 14LA	N/A	LC96, LC102, 1008, 1009, 1012	255	1, 6, 9, 12
1720	X	X	X		Sub-frame	1016316	1,639.00	N/A	N/A	7108, 7308	N/A	LC96, LC102, 1009, 1012, 1016	250	
1920	X	X	X		Sub-frame	1000407	1,463.00	N/A	N/A	7308	N/A	LC96, LC102, LC108, 1009, 1012, 1016	252	
Boomer 30/35		X	X		4-pt.	1037631	1,276.00	1041268	N/A	240TL	N/A	LC96, LC102	350	1
Boomer 33/37		X	X		4-pt.	1041850	1,863.00	1041867	N/A	250TLA	N/A	LS96R	350	1
Boomer 40/50		X	X		4-pt.	1031327	1,982.00	1041269	N/A	250TL	N/A	LC96, LC102	418	1
Boomer 40 (T4B)		X		X	4-pt.	604350	2,054.00	604351	N/A	250TLA	N/A	N/A	435	1
Boomer 41/47		X	X		4-pt.	1042150	1,863.00	1042170	N/A	260TLA	N/A	LC102, LC108	432	1
Boomer 41/47		X		X	4-pt.	1044150	1,919.00	1042170	N/A	260TLA	N/A	N/A	435	1
Boomer 45/50/55 (Tier 4B Final)		X	X		4-pt.	1042150	1,863.00	1042170	N/A	260TLA	N/A	N/A	432	1
Boomer 45/50/55 (Tier 4B Final)		X		X	4-pt.	1044150	1,919.00	1042170	N/A	L360A	N/A	N/A	499	1

*Reference list continued on following page.
 See NOTES on page BH20.*

Prices and specifications subject to change without notice.
 Prices effective January 1, 2021. Supersedes all previous pricing.
 Woods reserves the right to limit quantities and apply surcharges at any time.

BACKHOE – TRACTOR MOUNTED

7.5-foot – BH75 Groundbreaker® (Continued)

BH75 BACKHOE REQUIRED TRACTOR SUB-FRAME ORDER REFERENCE LIST (Continued)

GROUP 1: SUB-FRAME (Continued)

Tractor Model	Fits Tractor Types				Mount Type	Part No.	Suggested List Price	Hose Kit for Tractor Hydraulics	Hose Kit for Tractor Remotes	OEM Loader Compat.	OEM Mid-Mower Compat.	Woods® Loader Compatible	Mount Ship Wt. (lbs.)	Notes
	2WD	FWA	ROPS	CAB										
FORD® & NEW HOLLAND® (Continued)														
Boomer 2035	X	X	X		4-pt.	1013460	\$ 1,368.00	See Notes	N/A	14LA	914A	LC96, LC102, 1009, 1012	351	1, 19, 35
Boomer 3040/3045/3050, 8N (CVT only)		X	X	X	4-pt.	1033083	2,361.00	1032375	N/A	250TL	N/A	LC96, LC102, LC108	480	1, 10
Boomer 3040/3045/3050 (Except CVT)	X	X	X	X	4-pt.	1025575	2,361.00	See Notes	N/A	250TL, 260TL	N/A	LC96, LC102, LC108	557	1, 10, 36
T1510/T1520		X	X		4-pt.	1022120	1,608.00	See Notes	N/A	7308, 110TL	914A	LS84, LC96, LC102	370	1, 19, 35
T1530		X	X		4-pt.	1032936	2,361.00	See Notes	N/A	250TL	N/A	LC96, LC102	473	1, 36
T2210/T2220/TC29DA/TC33DA	X	X	X		4-pt.	1013460	1,368.00	See Notes	N/A	14LA	914A	LC96, LC102, 1009, 1012	351	1, 19, 35
T2310/T2320/T2330	X	X	X	X	4-pt.	1025575	2,361.00	See Notes	N/A	16LA, 17LA, 250TL, 260TL	N/A	LC96, LC102, LC108, 1009, 1012, 1016	557	1, 36
T2410/T2420		X	X	X	4-pt.	1020698	1,921.00	1041256	N/A	270TL	N/A	LC108, LC114	434	1
TC18/TC21 (SN UF33357 & Later)/TC21A/TC24/TC24D		X	X		4-pt.	1013300	1,686.00	1041249	N/A	7106	N/A	LS84, 1006	325	1
TC21DA/TC23DA/TC24DA/TC26DA		X	X		4-pt.	1013300	1,686.00	1041249	N/A	12LA	N/A	LS84, 1006	325	1
TC30		X	X		4-pt.	1026840	1,550.00	See Notes	N/A	7308	N/A	LC96, LC102	375	1, 19, 35
TC31DA/TC34DA		X	X		4-pt.	1013460	1,368.00	See Notes	N/A	14LA	N/A	LC96, LC102, 1008, 1009, 1012	351	1, 19, 35
TC35/TC35A/TC35D/TC35DA/TC40/TC40A/TC40D/TC40DA/TC45/TC45A/TC45D/TC45DA	X	X	X	X	4-pt.	1025575	2,361.00	See Notes	N/A	16LA, 17LA, 250TL, 260TL	N/A	LC96, LC102, LC108, 1009, 1012, 1016	557	1, 10, 36
TC48DA/TC55DA	X	X	X		4-pt.	1020698	1,921.00	1041256	N/A	18LA	N/A	LC108, LC114, 1020	434	1, 19
Workmaster 25		X	X		4-pt.	1042850	1,508.00	1041272	N/A	200LC	N/A	N/A	367	1, 26
Workmaster 33/37 (Tier 4A)		X	X		4-pt.	1042850	1,508.00	1042852	N/A	140TL	N/A	LS96R	367	1, 26
Workmaster 35/40 (Tier 3 only)		X	X		4-pt.	1039890	1,277.00	1041272	N/A	110TL	N/A	LS96R	364	1
Workmaster 35/40 (Tier 4B Final)		X	X		4-pt.	1042850	1,508.00	1041867	N/A	140TL	N/A	N/A	367	1, 26
Workmaster 45/55 (Tier III only)	X	X	X		4-pt.	1035169	1,918.00	1041263	N/A	615TL, L530	N/A	LC108, LC114	440	1
Workmaster 50/60/70	X	X	X		4-pt.	1043220	1,920.00	1043393	N/A	611TL, 616TL, 621TL, 626TL	N/A	LC108, LC114	544	1

Reference list continued on following page.
See NOTES on page BH20.

Prices and specifications subject to change without notice.
Prices effective January 1, 2021. Supersedes all previous pricing.
Woods reserves the right to limit quantities and apply surcharges at any time.

BACKHOE – TRACTOR MOUNTED

7.5-foot – BH75 Groundbreaker® (Continued)

BH75 BACKHOE REQUIRED TRACTOR SUB-FRAME ORDER REFERENCE LIST (Continued)

GROUP 1: SUB-FRAME (Continued)

Tractor Model	Fits Tractor Types				Mount Type	Part No.	Suggested List Price	Hose Kit for Tractor Hydraulics	Hose Kit for Tractor Remotes	OEM Loader Compat.	OEM Mid-Mower Compat.	Woods® Loader Compatible	Mount Ship Wt. (lbs.)	Notes
	2WD	FWA	ROPS	CAB										
JOHN DEERE®														
790/3005		X	X		Sub-frame	1001770	\$ 1,164.00	N/A	1041225	JD70, 300, 419	N/A	LS84, 1006	235	2, 21, 30
850/950/1050		X	X		Sub-frame	1016324	1,430.00 (MTO*)	N/A	N/A	JD75	N/A	LC96, LC102, LC108, 1009, 1012, 1016	212	3
855/955		X	X		Sub-frame	1016537	2,091.00 (MTO*)	N/A	N/A	JD70A	N/A	LS72 (855), 1006	266	
870/970/1070		X	X		Sub-frame	9402	1,744.00	N/A	N/A	JD80, JD430	N/A	LC96, LC102, LC108, 1009, 1012, 1016	245	1
990		X	X		Sub-frame	9402	1,744.00	N/A	N/A	JD430, 300CXZ4	N/A	LC96, LC102, LC108, 1009, 1012, 1016	245	1
3025D/3035D/3043D		X	X		4-pt.	618145	1,443.00	618146	N/A	300E	N/A	N/A	300	1
3025E/3032E/3038E		X	X		4-pt.	1035925	1,589.00	1041271	N/A	305, D160	N/A	N/A	276	1
3033R/3039R/3046R		X	X	X	4-pt.	1019000	1,368.00	1042644	N/A	H160, H165	N/A	LS96R	276	1, 21, 37
3120/3320/3520/3720		X	X		4-pt.	1019001	1,368.00	1041252	N/A	300X, 300CX	N/A	LC96, LC102, 1009, 1012	279	1, 23, 24
3120/3320/3520/3720		X		X	4-pt.	1019000	1,368.00	1041252	N/A	300X, 300CX	N/A	1009, 1012	276	1, 23, 24
3203		X	X		4-pt.	1021970	1,548.00	1041252	N/A	300	N/A	LC96, LC102, 1009, 1012	288	1, 23, 24
4044M/4044R/4052M/4052R/4066M/4066R		X	X	X	4-pt.	1042610	2,048.00	1042644	1041226	D170, D180	N/A	N/A	0	1, 21
4120/4320/4520/4720	X	X	X	X	4-pt.	1021870	1,678.00	1041245	N/A	400X	N/A	LC96, LC102, LC108, LC114, 1009, 1012, 1016	379	1
4200/4300/4400		X	X		Sub-frame	9865	1,116.00	N/A	N/A	420, 430	N/A	LC96, LC102, 1009, 1012	183	
4210/4310/4410		X	X		Sub-frame	1007253	1,186.00	N/A	N/A	420, 430	N/A	LC96, LC102, 1009, 1012	210	
4500/4600/4700		X	X		Sub-frame	59747	1,566.00	N/A	N/A	430, 460	N/A	LC96, LC102, LC108, 1009, 1012, 1016	239	
4510/4610/4710		X	X		Sub-frame	59747	1,566.00	N/A	N/A	430, 460	N/A	LC96, LC102, LC108	239	
KIOTI®														
CK25/CK30 & HST		X	X		4-pt.	1011425	1,536.00	1041244	N/A	KL130	N/A	LC96, LC102, 1009, 1012	263	1
CK35 & HST		X	X		4-pt.	1011425	1,536.00	1041244	N/A	KL130	N/A	LC96, LC102, 1009, 1012	263	1, 19
DK40		X	X		Sub-frame	1004327	1,536.00	1041231	N/A	KL1470	N/A	LC96, LC102, LC108, 1009, 1012, 1016	338	1
DK55		X	X	X	4-pt.	1039175	1,797.00	1041236	N/A	KL1595	N/A	LC108, LC114	385	1

* MTO: Made-to-order. Please contact Customer Services for availability dates.

**Reference list continued on following page.
See NOTES on page BH20.**

Prices and specifications subject to change without notice.
Prices effective January 1, 2021. Supersedes all previous pricing.
Woods reserves the right to limit quantities and apply surcharges at any time.

BACKHOE – TRACTOR MOUNTED

7.5-foot – BH75 Groundbreaker® (Continued)

BH75 BACKHOE REQUIRED TRACTOR SUB-FRAME ORDER REFERENCE LIST (Continued)

GROUP 1: SUB-FRAME (Continued)

Tractor Model	Fits Tractor Types				Mount Type	Part No.	Suggested List Price	Hose Kit for Tractor Hydraulics	Hose Kit for Tractor Remotes	OEM Loader Compat.	OEM Mid-Mower Compat.	Woods® Loader Compatible	Mount Ship Wt. (lbs.)	Notes
	2WD	FWA	ROPS	CAB										
KUBOTA®														
B1700/B2100/B2400		X	X		4-pt.	1020800	\$ 1,603.00	1041262	N/A	LA301, LA351	N/A	LS84, 1006	480	1, 7, 26, 32
B2150	X	X	X		Sub-frame	1016319	1,640.00	N/A	N/A	BF300, BF350, BF350A	N/A	LS84, 1006	187	4
B2320/B2620/B2920		X	X		4-pt.	1041481	1,562.00	1041273	N/A	LA304, LA364	RCK54-29B, RCK60-29B	LS72, LS84	261	1
B2410		X	X		4-pt.	1020800	1,603.00	1041262	N/A	LA352FL-1	N/A	LS84, 1006	480	1, 26, 32
B2630/B3030		X	X		4-pt.	1014301	1,394.00	1041250	N/A	LA403	RCK60-30B	LS84, 1006, 1008	266	1, 19, 33
B2710/B2910/B7800	X	X	X		4-pt.	1012619	1,507.00	1041261	N/A	LA402	RCK60-27B	LS84, 1008	392	1, 26
B3000		X		X	4-pt.	1034785	1,888.00	1041270	N/A	LA403	N/A	N/A	397	1
B3200		X	X		4-pt.	1041482	1,895.00	1041273	N/A	LA504	RCK60-29B	LS84	365	1, 26
B3300SU		X	X		4-pt.	1041482	1,895.00	1041273	N/A	LA504	N/A	LS84	365	1, 26
B7300 HSD		X	X		4-pt.	1020800	1,603.00	1041262	N/A	LA271	N/A	1006	480	1, 7, 8, 26, 32
B7400/B7500		X	X		4-pt.	1020800	1,603.00	1041262	N/A	LA271	N/A	LS72, LS84	480	1, 8, 26, 32
B7410/B7510/B7610		X	X		4-pt.	1020800	1,603.00	1041262	N/A	LA272FL-1, LA302FL-1, LA352FL-1	N/A	LS72, LS84, 1006	480	1, 26, 32
B8200	X	X	X		Sub-frame	1016319	1,640.00	N/A	N/A	BF300, BF350, BF350A	N/A	LS84, 1006	187	4
L2050/L2350/L2500		X	X		Sub-frame	1016318	1,394.00	N/A	N/A	LA450S, LB400	N/A	LC96, LC102, 1009, 1012	251	
L2250/L2550/L2650/L2850/L2950		X	X		Sub-frame	1016323	1,394.00	N/A	N/A	BF400G, BF500	N/A	LC96, LC102, LC108 (N/A on L2250), 1009, 1012, 1016	211	
L2501/L2800/L3301/L3400/L3901	X	X	X		4-pt.	1033674	1,585.00	1041238	N/A	LA463	N/A	LC96, LC102	282	1
L2600/L3000	X	X	X		Sub-frame	1001363	1,430.00	N/A	N/A	LA450S, LB402	N/A	LC96, LC102, 1008, 1009, 1012	242	
L2900/L3300/L3010/L3410	X	X	X	X	Sub-frame	1001198	1,674.00	N/A	N/A	LA480, LA481	RC72-29A	LC96, LC102, LC108, 1009, 1012, 1016	338	11
L3130/L3430/L3830	X	X	X		4-pt.	1006863	1,882.00	1041232	N/A	LA513, LA723	RC72-38	LC96, LC102, LC108, 1008 (N/A on L3830), 1009, 1012, 1016	322	13, 14
L3200/L3800	X	X	X		4-pt.	1033674	1,585.00	1041238	N/A	LA463, LA524	N/A	LC96, LC102	282	1

Reference list continued on following page.
See NOTES on page BH20.

Prices and specifications subject to change without notice.
Prices effective January 1, 2021. Supersedes all previous pricing.
Woods reserves the right to limit quantities and apply surcharges at any time.

BACKHOE – TRACTOR MOUNTED

7.5-foot – BH75 Groundbreaker® (Continued)

BH75 BACKHOE REQUIRED TRACTOR SUB-FRAME ORDER REFERENCE LIST (Continued)

GROUP 1: SUB-FRAME (Continued)

Tractor Model	Fits Tractor Types				Mount Type	Suggested Part No.	List Price	Hose Kit for Tractor Hydraulics	Hose Kit for Tractor Remotes	OEM Loader Compat.	OEM Mid-Mower Compat.	Woods® Loader Compatible	Mount Ship Wt. (lbs.)	Notes
	2WD	FWA	ROPS	CAB										
KUBOTA® (Continued)														
L3240/L3540 (All Series)	X	X	X		4-pt.	1025691	\$ 1,557.00	1041258	1041226	LA514, LA724	RC72-38	LC96, LC102, LC108, 1009, 1012	323	1, 13, 28
L3240/L3540 Series 1		X		X	4-pt.	1025675	1,523.00	1041258	1041226	LA514, LA724	RC72-38	LC96, LC102, LC108, 1009, 1012	348	1, 25, 28
L3240/L3540 Series 3		X		X	4-pt.	1032395	1,523.00	1041258	1041226	LA514, LA724	RC72-38	LC96, LC102, LC108	340	1, 13, 25, 28
L3430	X	X		X	4-pt.	1007329	1,639.00	1041232	N/A	LA513, LA723	RC72-38	LC96, LC102, LC108, 1008, 1009, 1012, 1016	340	
L3560		X	X	X	4-pt.	1042810	1,861.00	1042648	1041226	LA805, LA1055	N/A	N/A	500	1, 13
L3600/L4200/L3710/L4310	X	X	X	X	Sub-frame	1001198	1,674.00	N/A	N/A	LA680, LA681	N/A	LC96, LC102, LC108, 1009, 1012, 1016	338	11
L3700SU		X	X		4-pt.	1033674	1,585.00	1041238	N/A	LA463	N/A	LC96, LC102	282	1
L3940		X	X		4-pt.	1024875	1,585.00	1041258	1041226	LA724, LA854	RC72-38	LC96, LC102, LC108, 1009, 1012	324	1, 13, 28
L3940-3/L4240-3/L4740-3		X		X	4-pt.	1032925	1,585.00	1041258	1041226	LA724, LA854	N/A	LC96, LC102, LC108, LC114	313	1
L4060/L4760		X	X	X	4-pt.	1042620	1,861.00	1042648	1041226	LA805, LA1055	N/A	N/A	435	1
L4240/L4740/L5040/L5240/L5740		X	X		4-pt.	1024875	1,585.00	1041258	1041226	LA854	N/A	LC108, LC114	324	1, 13, 28
L4300		X	X		Sub-frame	1001198	1,674.00	N/A	N/A	LA682, LB552	N/A	LC96, LC102, LC108, 1009, 1012, 1016	338	
L4330/L4630	X	X	X		4-pt.	1006863	1,882.00	1041232	N/A	LA853	N/A	LC96, LC102, LC108, LC114, 1009, 1012, 1016, 1020	322	13
L4600		X	X		4-pt.	1036180	1,343.00	1041232	1041226	LA764	N/A	LC102, LC108, LC114	374	1
L4701		X	X		4-pt.	1036180	1,343.00	1041232	1041226	LA765	N/A	N/A	374	1, 38
L5030	X	X	X		4-pt.	1007198	1,882.00	1041232	N/A	LA853	N/A	LC96, LC102, LC108, LC114, 1009, 1012, 1016, 1020	306	13
L5060/L5460/L6060		X	X	X	4-pt.	1042800	1,861.00	1042648	1041226	LA805, LA1055	N/A	N/A	500	1, 13
MX4800/MX5200/MX5800	X	X	X		4-pt.	1029000	1,940.00	1041265	N/A	LA1065	N/A	LC108, LC114	354	1
LONG®														
280/360		X	X		Sub-frame	46506	1,155.00 (MTO*)	N/A	1041227	N/A	N/A	LC96, LC102, LC108, 1009, 1012, 1016	216	

* MTO: Made-to-order. Please contact Customer Services for availability dates.

Reference list continued on following page.
See NOTES on page BH20.

Prices and specifications subject to change without notice.
Prices effective January 1, 2021. Supersedes all previous pricing.
Woods reserves the right to limit quantities and apply surcharges at any time.

BACKHOE – TRACTOR MOUNTED 7.5-foot – BH75 Groundbreaker® (Continued)

BH75 BACKHOE REQUIRED TRACTOR SUB-FRAME ORDER REFERENCE LIST (Continued)

GROUP 1: SUB-FRAME (Continued)

Tractor Model	Fits Tractor Types				Mount Type	Part No.	Suggested List Price	Hose Kit for Tractor Hydraulics	Hose Kit for Tractor Remotes	OEM Loader Compat.	OEM Mid-Mower Compat.	Woods® Loader Compatible	Mount Ship Wt. (lbs.)	Notes
	2WD	FWA	ROPS	CAB										
MAHINDRA®														
2415/2516		X	X		4-pt.	1024154	\$ 1,536.00	1041264	N/A	ML105	WMM1560	LS84	TBD	1, 25
2615/3015	X	X	X		Sub-frame	1011488	1,164.00	1041229	N/A	ML106	N/A	LC96, LC102, 1009, 1012	243	1
2815/3215		X	X		4-pt.	1020616	1,368.00	1041253	N/A	ML111	WMM1572	LC96, LC102	246	1
3510/4110		X	X		4-pt.	1012825	1,536.00	1041246	N/A	ML112	N/A	LC96, LC102, LC108, 1009, 1012, 1016	411	1
MASSEY FERGUSON®														
1433/1433V/ 1440/1440V	X	X	X		4-pt.	1008546	1,536.00	1041235	N/A	1246, 1466	N/A	LC96, LC102, 1008, 1009, 1012	363	6, 18
1528/1531		X	X		4-pt.	1027840	1,507.00	1041254	N/A	1520	N/A	LS84	300	1
1529/1532		X	X		4-pt.	1030194	1,536.00	1041266	N/A	L100	N/A	LC96, LC102	309	1, 29
1533/1540		X	X		4-pt.	1013302	1,536.00	1041248	N/A	1525	1505	LC96, LC102, 1008, 1009, 1012	310	1, 19, 22, 27
1635/1643		X	X		4-pt.	1013302	1,536.00	1041248	N/A	DL120	N/A	LC96, LC102	310	1, 19
1726E/1734E/1739E		X	X		4-pt.	1041765	1,818.00	1042130	N/A	L105E	N/A	LS96R	400	1
1735E/1740E		X	X		4-pt.	1041765	1,818.00	1042130	N/A	FLx2407	N/A	N/A	400	1, 38
1735M/1740M		X	X	X	4-pt.	1043300	1,727.00	1043354	N/A	DL125	N/A	N/A	436	1, 34, 38
1736/1742		X	X	X	4-pt.	1043300	1,727.00	1043354	N/A	DL125	N/A	N/A	436	1, 34
1749/1754/1758		X	X	X	4-pt.	1042490	2,148.00	1043354	N/A	DL130, DL135	N/A	N/A	450	1
1750M/1755M		X	X	X	4-pt.	1042490	2,148.00	1043354	N/A	DL135, FL2814	N/A	N/A	450	1, 34, 38
1759/1760M Gear Transmission only		X	X	X	4-pt.	1045500	2,156.00	1042491	N/A	DL135, FL2814	N/A	N/A	605	1, 34, 38
1760M Hydro only		X	X	X	4-pt.	1042490	2,148.00	1043354	N/A	DL130, DL135	N/A	N/A	450	1
1825E		X	X		4-pt.	1041765	1,818.00	1042130	N/A	FLx2407	N/A	N/A	400	1, 38
1835M/1840M		X	X	X	4-pt.	1043300	1,727.00	1043354	N/A	FL2611	N/A	N/A	436	1, 34, 38
2705E/2706E		X	X		4-pt.	1042490	2,148.00	1043354	N/A	L135E	N/A	N/A	450	1
2750E/2760E		X	X		4-pt.	1042490	2,148.00	1043354	N/A	FL2815	N/A	N/A	450	1, 34, 38
McCORMICK®														
X10.55		X	X	X	4-pt.	1039175	1,797.00	1041236	N/A	L10.108, L10.114, L250	N/A	LC108, LC114	385	1, 31
YANMAR®														
EX2900/EX3200		X	X		4-pt.	1027810	1,550.00	1043205	N/A	CL300	N/A	LS84, LC96	329	1

See NOTES on page BH20.

Prices and specifications subject to change without notice.
Prices effective January 1, 2021. Supersedes all previous pricing.
Woods reserves the right to limit quantities and apply surcharges at any time.

BACKHOE – TRACTOR MOUNTED

7.5-foot – BH75 Groundbreaker® (Continued)

GROUP 2: 3-POINT & 3RD POINT BRACKETS

Part No.	Description	Shipping Wt. (lbs.)	Suggested List Price
1039001	Woods SAF-T-LOK® 3-pt. hitch mounting kit – Category 1	128	\$ 1,272.00

REQUIRED 3RD POINT BRACKETS

1006830	Top link bracket required in addition to 3-pt. mounting on Kubota® L2600, L2800, L2900, L3130, L3200, L3240, L3400, L3430, L3540, L3800, L3830, L3940, L4240, L4330, L4630, L4740, L5030 (ROPS only), L5040, L5240, L5740. NOTE: 4-pt. sub-frame mounting also available (see pages BH11 - BH20)	8	\$ 151.00
1011021	Top link bracket required in addition to 3-pt. mounting on Massey Ferguson® 431 and 2604H	22	69.00

**NOTE: 3rd point bracket kit is REQUIRED to 3-point mount the BH75 Backhoe on the tractors listed above.
All other tractors must be equipped with original high-strength top link pin with minimum 3/4-inch diameter.**

HYDRAULICS

Part No.	Description	Shipping Wt. (lbs.)	Suggested List Price
1039002	6 gpm Pump Kit – comes with 540 PTO driven pump, reservoir, hoses, filter, and fittings	55	\$ 1,500.00
	OR		
604351	Hose Kit – reference mounting kit 604350	15	336.00
618146	Hose Kit – reference mounting kit 618145	11	287.00
1032375	Hose Kit – reference mounting kit 1033083	13	469.00
1037294	Hose Kit – reference mounting kit 1037293	TBD	298.00
1041225	Hose Kit – reference mounting kit 1001770	5	74.00
1041226	Hose Kit – reference mounting kit 1024875/1025675/1025691/1032395/1032925/1036180/1042610/1042620/1042800/1042810	6	202.00
1041227	Hose Kit – reference mounting kit 46506	5	95.00
1041229	Hose Kit – reference mounting kit 1002774/1011488	10	277.00
1041231	Hose Kit – reference mounting kit 1004327	9	370.00
1041232	Hose Kit – reference mounting kit 1006863/1007198/1007329/1036180	14	410.00
1041233	Hose Kit – reference mounting kit 1006863	9	216.00
1041234	Hose Kit – reference mounting kit 1007222	9	197.00
1041235	Hose Kit – reference mounting kit 1008546	18	451.00
1041236	Hose Kit – reference mounting kit 1039175	7	277.00
1041237	Hose Kit – reference mounting kit 1020800	TBD	345.00
1041238	Hose Kit – reference mounting kit 1033674	12	343.00
1041244	Hose Kit – reference mounting kit 1011425	11	443.00
1041245	Hose Kit – reference mounting kit 1021870	10	343.00
1041246	Hose Kit – reference mounting kit 1012825	10	210.00
1041247	Hose Kit – reference mounting kit 1013460/1022120/1026840	10	330.00
1041248	Hose Kit – reference mounting kit 1013302	9	248.00
1041249	Hose Kit – reference mounting kit 1013300	12	279.00
1041250	Hose Kit – reference mounting kit 1014301	15	328.00
1041252	Hose Kit – reference mounting kit 1019000/1019001/1021970	11	373.00
1041253	Hose Kit – reference mounting kit 1020616	10	260.00
1041254	Hose Kit – reference mounting kit 1027840	10	277.00
1041255	Hose Kit – reference mounting kit 1025575/1032936	10	378.00
1041256	Hose Kit – reference mounting kit 1020698	15	417.00

Prices and specifications subject to change without notice.
Prices effective January 1, 2021. Supersedes all previous pricing.
Woods reserves the right to limit quantities and apply surcharges at any time.

BACKHOE – TRACTOR MOUNTED

7.5-foot – BH75 Groundbreaker® (Continued)

HYDRAULICS (Continued)

Part No.	Description	Shipping Wt. (lbs.)	Suggested List Price
1041258	Hose Kit – reference mounting kit 1024875/1025675/1025691/1032395/1032925	13	\$ 469.00
1041261	Hose Kit – reference mounting kit 1012619	7	219.00
1041262	Hose Kit – reference mounting kit 1020800	11	277.00
1041263	Hose Kit – reference mounting kit 1035169	13	277.00
1041264	Hose Kit – reference mounting kit 1024154	TBD	293.00
1041265	Hose Kit – reference mounting kit 1029000	15	410.00
1041266	Hose Kit – reference mounting kit 1030194	8	345.00
1041268	Hose Kit – reference mounting kit 1037631	11	312.00
1041269	Hose Kit – reference mounting kit 1031327	12	489.00
1041270	Hose Kit – reference mounting kit 1034785	10	258.00
1041271	Hose Kit – reference mounting kit 1035925	11	272.00
1041272	Hose Kit – reference mounting kit 1039890/1042850	10	312.00
1041273	Hose Kit – reference mounting kit 1041481/1041482	9	186.00
1041275	Hose Kit – reference mounting kit 1041480	10	232.00
1041867	Hose Kit – reference mounting kit 1041850/1042850	10	282.00
1042130	Hose Kit – reference mounting kit 1041765	10	426.00
1042170	Hose Kit – reference mounting kit 1042150/1044150	14	487.00
1042491	Hose Kit – reference mounting kit 1045500	15	714.00
1042644	Hose Kit – reference mounting kit 1019000/1042610	8	181.00
1042648	Hose Kit – reference mounting kit 1042620/1042800/1042810	11	390.00
1042852	Hose Kit – reference mounting kit 1042850	11	371.00
1043205	Hose Kit – reference mounting kit 1027810	10	504.00
1043354	Hose Kit – reference mounting kit 1042490/1043300	16	597.00
1043393	Hose Kit – reference mounting kit 1043220	18	605.00
1044473	Hose Kit – reference mounting kit 1013460/1022120/1026840	0	385.00
1044474	Hose Kit – reference mounting kit 1025575/1032936	0	385.00

THUMB KIT (Dealer-Installed)

1039000	Dealer-Installed Mechanical Thumb Kit (Fits with 16", 18" and 24" buckets)	61	\$ 573.00
---------	--	----	-----------

MISCELLANEOUS ACCESSORIES/ KITS

37994	Mounting Bracket (See note 11 on page BH20)	19	▲
51962	Reinforcement Kit (See note 5 on page BH20)	9	\$ 189.00
1001761	Optional Tool Box Kit (See note 9 on page BH20)	7	71.00
1006610KT	Street Pad Kit	5	203.00
1007259	Wheel Counterweight Kit (See note 16 on page BH20)	80	360.00
1019056	Spacer Kit (See note 30 on page BH20)	31	211.00
1034178	Adapter Kit (See note 31 on page BH20)	TBD	162.00
1044145	Wheel Spacer Kit (See note 37 on page BH20)	40	557.00

▲ Please refer to the Woods Genuine Parts program and price list for discount and price at <http://dealer.woodsequipment.com>.

Prices and specifications subject to change without notice.
 Prices effective January 1, 2021. Supersedes all previous pricing.
 Woods reserves the right to limit quantities and apply surcharges at any time.

BACKHOE – TRACTOR MOUNTED**7.5-foot – BH75 Groundbreaker® (Continued)**

NOTES:

1. Tractor must be equipped with Woods® or OEM loader.
2. Due to inadequate ROPS clearance, special John Deere® ROPS #AM107212 is required; order from John Deere.
3. Due to inadequate ROPS clearance, special John Deere ROPS #AM104044 is required; order from John Deere.
4. Fits 2WD & 4WD: Gear & HST.
5. For 1320, 1520, 1620 and 1715 – also order #51962 reinforcement kit. For 155/165 loader only (not needed with OEM loader).
6. Super Steer front axle compatible.
7. Due to inadequate ROPS clearance, special Kubota® ROPS #B1073 is required; order from Kubota.
8. Ground clearance approximately 5-3/4 inches at rear of sub-frame with Ag & Turf tires, approximately 6-3/4 inches with construction tires.
9. Optional tool box mounting bracket available; order #1001761.
10. Not recommended for installation on tractors with 41/18LL x 16.1 rear Galaxy® turf tires.
11. If using Woods loader mounting kit #111747; order mounting bracket #37994.
12. When using OEM loader or Woods 1008 loader, Woods kit #1001698 is required. Order separately.
13. Woods SAF-T-LOK® 3-point hitch mounting may be used instead. Refer to #1006830 Top Link Bracket Kit – Mounting Kits, Group 1: 3-POINT.
14. If not using optional 6 gpm hydraulic PTO pump, use hose kit #1041233 to connect to Woods 1008 loader only.
15. Requires hose kit #1041234 to connect to tractor's hydraulic system. Pump kit not available.
16. Wheel counterweight #1007259 recommended to meet tractor weight distribution requirements.
17. Tractor PTO safety lock-out does not allow use of PTO pump kit. Order hose kit #1041235 to connect to tractor's hydraulic system.
18. This mount only fits tractors with wet disc brakes.
19. When using PTO pump kit #1039002, 3-point arms must be removed.
20. Will fit only with AG tires; does not fit with industrial or turf tires because tire spacing cannot be adjusted.
21. Woods hose kit attaches to John Deere PBY kit, which must be purchased from John Deere.
22. Must order hardware package #1013278 for compatibility with Woods 1008 loader.
23. 3-Point hitch arms can be left on when using hose kit #1041252.
24. Rear tire spacing must be set to 44" center with turf and industrial tires.
25. Backhoe may be installed with mid-mower in raised locked position. Remove backhoe to use mid-mower.
26. Not compatible with PTO pump kit. Order hose kit for tractor hydraulics.
27. Some tractors require #1014373 Power Beyond plug. Contact Woods Technical Services or refer to installation manual.
28. Hose kit #1041258 is not compatible with tractor remotes.
29. Tractor PTO safety lock-out does not allow use of PTO pump kit. Order hose kit #1041266 to connect to tractor's hydraulic system.
30. Spacer kit #1019056 must be used if using PTO pump kit.
31. Adapter kit #1034178 is required for compatibility with McCormick® L250 loader.
32. Use hose kit #1041237 if using 1006 loader.
33. Must order Kubota wheel spacer kit #B8785 for Kubota B3030 tractor equipped with turf tires.
34. Must order spacer kit #1043331 for tractors with Cab.
35. Check tractor's hydraulic cover below right side of tractor seat. Hose kit #1041247 is for 4-bolt cover.
Hose kit #1044473 is for 3-bolt cover.
36. Check tractor's hydraulic cover below right side of tractor seat. Hose kit #1041255 is for 4-bolt cover.
Hose kit #1044474 is for 3-bolt cover.
37. Must order wheel spacer kit #1044145 for all Cab and ROPS models equipped with R3 (turf) or R4 (industrial) tires.
38. Tractor's lower 3-point hitch links may be left in place unless using PTO pump kit.

Prices and specifications subject to change without notice.
Prices effective January 1, 2021. Supersedes all previous pricing.
Woods reserves the right to limit quantities and apply surcharges at any time.

BACKHOE – TRACTOR MOUNTED

8.5-foot – BH85 Groundbreaker®

FEATURES:

- Two lever operating controls
- Woods' unique easy on/easy off 4-point **EXCLUSIVE FEATURE** mounting system – no tools required
- High back seat
- Wide stance stabilizer arms with flip-over cast pad (Street and claw)
- Replaceable bushings
- Easy access walk-through design
- Wear rings on all cylinders
- Mountings compatible with 3-point, sub-frames or skid steer
- Construction grade buckets
- 2-year warranty



Specifications:

Tractor Horsepower	30 – 100 hp
Digging Depth (2-foot flat bottom)	8 feet, 6 inches
Swing Arc	180 degrees
Loading Height	6 feet, 11 inches
Transport Height	7 feet, 10 inches
Reach from Swing Pivot	11 feet, 9 inches
Dipperstick Digging Force	2940 lbs.
Bucket Digging Force	4600 lbs.
Required Hydraulic Flow	9 – 12 gpm
Rated Pressure	2465 psi

WARNING

To avoid hitch failure and possible operator injury, before mounting the BH85 backhoe to the tractor 3-pt. hitch, verify that the hitch meets ASABE standards. Also observe the maximum and minimum hitch dimensions described in the safety and assembly sections of the Operator's Manuals. Woods® makes no warranty, implied or otherwise, concerning the structural integrity of any tractor's 3-point hitch or tractor frame housing assembly. If tractor is not equipped with front end loader, front end ballast is required for safety and stability.

WARNING: Sub-frame kits listed are required for all tractors listed.

NOTE: Includes basic unit only. Does not include bucket, mounting kit or pump kit. Order from below to complete.

BH85 - BASE UNIT (WITHOUT THUMB)

Part No.	Description	Shipping Wt. (lbs.)	Suggested List Price
607615	Universal Black	1440	\$ 9,048.00
607611	Green to match John Deere®	1440	9,048.00
607614	Orange to match Kubota®/Kioti®	1440	9,048.00
607616	Red to match Massey Ferguson®	1440	9,048.00
607617	Vibrant Blue to match New Holland®	1440	9,048.00

BH85 WITH FACTORY-INSTALLED HYDRAULIC THUMB*

Part No.	Description	Shipping Wt. (lbs.)	Suggested List Price
607615HT	Universal Black w/Thumb	1605	\$ 10,915.00
607611HT	Green to match John Deere® w/Thumb	1605	10,915.00
607614HT	Orange to match Kubota®/Kioti® w/Thumb	1605	10,915.00
607616HT	Red to match MF w/Thumb	1605	10,915.00
607617HT	Vibrant Blue to match NH w/Thumb	1605	10,915.00

* Fits with 16", 18" and 24" buckets.

HEAVY-DUTY BUCKETS

Part No.	Description	Bucket Capacity (cu. ft.)	Ship. Wt. (lbs.)	Suggested List Price
602753	12" Bucket	1.37	94	\$ 600.00
602754	15" Bucket	1.84	103	621.00
602755	18" Bucket	2.32	117	673.00
602756	24" Bucket	3.27	141	750.00
602757	36" Cemetery Bkt. (Incl. teeth)	3.17	183	1,320.00
602757D	36" Ditching Bkt. (W/out teeth)	3.17	155	1,087.00

Prices and specifications subject to change without notice.
 Prices effective January 1, 2021. Supersedes all previous pricing.
 Woods reserves the right to limit quantities and apply surcharges at any time.

BACKHOE – TRACTOR MOUNTED

8.5-foot – BH85 Groundbreaker® (Continued)

MOUNTING KITS – Choose from Group 1 or Group 2 (Some tractors require a backhoe sub-frame as noted below & on the following pages.)

BH85 BACKHOE REQUIRED TRACTOR SUB-FRAME ORDER REFERENCE LIST

GROUP 1: SUB-FRAME

Tractor Model	Fits Tractor Types				Mount Type	Part No.	Suggested List Price	Hose Kit for Tractor Hydraulics	Hose Kit for Tractor Remotes	OEM Loader Compat.	OEM Mid-Mower Compat.	Woods® Loader Compatible	Mount Ship Wt. (lbs.)	Notes
	2WD	FWA	ROPS	CAB										
AGCO®														
ST34A/ST41A		X	X		4-pt.	1013303	\$ 1,780.00	1014290	N/A	1525	SM72A	1008, 1009, 1012	378	1, 10, 11
ST47A/ST52A	X	X	X	X	4-pt.	1015440	1,728.00	1015498	N/A	FL48	N/A	LC96, LC102, LC108, LC114, 1009, 1012, 1016	545	12
CASE IH®														
D35/DX35/D40/DX40/D45/DX45	X	X	X	X	4-pt.	1025576	2,451.00	See Notes	N/A	LX116	N/A	LC96, LC102, LC108, 1009, 1012, 1016	632	1, 19
DX48/DX55	X	X	X		4-pt.	1020699	2,020.00	1021923	N/A	LX118	N/A	LC108, LC114, 1020	514	1, 10
Farmall 40/45/50	X	X	X	X	4-pt.	1025576	2,451.00	See Notes	N/A	L350, LX116	N/A	LC96, LC102, LC108, 1009, 1012, 1016	632	1, 19
Farmall 40B/50B		X	X		4-pt.	1031328	2,520.00	1033779	N/A	L350	N/A	LC96, LC102	531	1
Farmall 40C/50C		X	X		4-pt.	1042151	2,128.00	1042171	N/A	L360A	N/A	LC102, LC108	500	1
Farmall 40C/50C		X		X	4-pt.	1044151	2,030.00	1042171	N/A	L360A	N/A	N/A	590	1
Farmall 45A/55A (Tier III only)	X	X	X		4-pt.	1036225	2,735.00	1028352	N/A	615TL, L530	N/A	LC108, LC114	620	1
Farmall 45C/55C		X	X		4-pt.	1042151	2,128.00	1042171	N/A	L360A	N/A	N/A	432	1
Farmall 45C/55C (Series 2)		X		X	4-pt.	1044151	2,030.00	1042171	N/A	L360A	N/A	N/A	590	1
Farmall 50A/60A/70A	X	X	X		4-pt.	1043221	1,812.00	1043399	N/A	L545, L555	N/A	LC108, LC114	636	1
Farmall 55/60		X	X		4-pt.	1020699	2,020.00	1021923	N/A	270TL	N/A	LC108, LC114	514	1
CHALLENGER®														
MT265B/MT275B		X	X		4-pt.	1013303	1,780.00	1014290	N/A	ML30B	72"	1008, 1009, 1012	378	1, 10, 11
MT285B/MT295B	X	X	X	X	4-pt.	1015440	1,728.00	1015498	N/A	FL48	N/A	1009, 1012, 1016	545	12
FORD® & NEW HOLLAND®														
Boomer 40/50		X	X		4-pt.	1031328	2,520.00	1033779	N/A	250TL	N/A	LC96, LC102	531	1
Boomer 41/47		X	X		4-pt.	1042151	2,128.00	1042171	N/A	260TLA	N/A	LC102, LC108	500	1
Boomer 41/47		X		X	4-pt.	1044151	2,030.00	1042171	N/A	260TLA	N/A	N/A	500	1
Boomer 45/50/55 (Tier 4B Final)		X	X		4-pt.	1042151	2,128.00	1042171	N/A	260TLA	N/A	N/A	500	1
Boomer 45/50/55 (Tier 4B Final)		X		X	4-pt.	1044151	2,030.00	1042171	N/A	260TLA	N/A	N/A	590	1

Reference list continued on following page.
See NOTES on page BH28.

Prices and specifications subject to change without notice.
Prices effective January 1, 2021. Supersedes all previous pricing.
Woods reserves the right to limit quantities and apply surcharges at any time.

BACKHOE – TRACTOR MOUNTED

8.5-foot – BH85 Groundbreaker® (Continued)

BH85 BACKHOE REQUIRED TRACTOR SUB-FRAME ORDER REFERENCE LIST (Continued)

GROUP 1: SUB-FRAME (Continued)

Tractor Model	Fits Tractor Types				Mount Type	Part No.	Suggested List Price	Hose Kit for Tractor Hydraulics	Hose Kit for Tractor Remotes	OEM Loader Compat.	OEM Mid-Mower Compat.	Woods® Loader Compatible	Mount Ship Wt. (lbs.)	Notes
	2WD	FWA	ROPS	CAB										
FORD® & NEW HOLLAND® (Continued)														
Boomer 3040/3045/3050, 8N (CVT only)		X	X	X	4-pt.	1033084	\$ 1,988.00	1032375	N/A	250TL	N/A	LC96, LC102, LC108	554	1, 14
Boomer 3040/3045/3050 (Except CVT)	X	X	X	X	4-pt.	1025576	2,451.00	See Notes	N/A	250TL, 260TL	N/A	LC96, LC102, LC108	632	1, 19
T2310/T2320/T2330	X	X	X	X	4-pt.	1025576	2,451.00	See Notes	N/A	16LA, 17LA, 250TL, 260TL	N/A	LC96, LC102, LC108, 1009, 1012, 1016	632	1, 19
T2410/T2420		X	X	X	4-pt.	1020699	2,020.00	1021923	N/A	270TL	N/A	LC108, LC114	514	1
TC35/TC35A/TC35D/TC35DA/TC40/TC40A/TC40D/TC40DA/TC45/TC45A/TC45D/TC45DA	X	X	X	X	4-pt.	1025576	2,451.00	See Notes	N/A	16LA, 17LA, 250TL, 260TL	N/A	LC96, LC102, LC108, 1009, 1012, 1016	632	1, 19
TC48DA/TC55DA	X	X	X		4-pt.	1020699	2,020.00	1021923		18LA	N/A	LC108, LC114, 1020	514	1, 10
TT45A/TT50A	X		X		4-pt.	1028300	2,364.00	1028352	N/A	610TL	N/A	LC108, LC114	632	1
Workmaster 45/55 (Tier III only)	X	X	X		4-pt.	1036225	2,735.00	1028352	N/A	615TL	N/A	LC108, LC114	620	1
Workmaster 50/60/70	X	X	X		4-pt.	1043221	1,812.00	1043399	N/A	611TL, 616TL, 621TL, 626TL	N/A	LC108, LC114	636	1
JOHN DEERE®														
4044M/4044R/4052M/4052R/4066M/4066R		X	X	X	4-pt.	1042611	1,932.00	1042645	N/A	D170, D180	N/A	N/A	565	1, 17
4120/4320/4520/4720	X	X	X	X	4-pt.	1012335	1,700.00	1012370	N/A	400X	N/A	LC96, LC102, LC108, LC114, 1009, 1012, 1016	461	1
4500/4600/4700/4510/4610/4710		X	X		Sub-frame	59748	1,452.00	N/A	N/A	430, 460	N/A	LC96, LC102, LC108, 1009, 1012, 1016	291	1
5045E/5055E/5065E/5075E (Tier IV)	X	X	X	X	4-pt.	1045400	2,636.00	1045435	N/A	512NSL, H240NSL, H240MSL, H260NSL	N/A	N/A	610	1, 9
5065E/5075E (Except Tier IV)	X	X	X		4-pt.	1015570	1,662.00	1015547	N/A	512	N/A	LU126	525	1, 9
5103/5203/5303	X	X	X		4-pt.	1015570	1,662.00	N/A	1028999	512, 522	N/A	LU126, LU132	525	1, 9
5105/5205	X	X	X		4-pt.	1015465	1,932.00	1015547	N/A	512, 522	N/A	LU126, 1020, 1027	527	1
5200/5300/5400/5500/5210/5310/5410/5510	X	X	X		Sub-frame	1001378	1,728.00 (MTO*)	N/A	N/A	520, 540	N/A	LU126, 1020, 1027	414	1, 8, 9
KIOTI®														
DK55		X	X	X	4-pt.	1039176	1,762.00	1009756	N/A	KL1595	N/A	LC108, LC114	TBD	1

* MTO: Made-to-order. Please contact Customer Services for availability dates.

Reference list continued on following page.
See NOTES on page BH28.

Prices and specifications subject to change without notice.
Prices effective January 1, 2021. Supersedes all previous pricing.
Woods reserves the right to limit quantities and apply surcharges at any time.

BACKHOE – TRACTOR MOUNTED

8.5-foot – BH85 Groundbreaker® (Continued)

BH85 BACKHOE REQUIRED TRACTOR SUB-FRAME ORDER REFERENCE LIST (Continued)

GROUP 1: SUB-FRAME (Continued)

Tractor Model	Fits Tractor Types				Mount Type	Part No.	Suggested List Price	Hose Kit for Tractor Hydraulics	Hose Kit for Tractor Remotes	OEM Loader Compat.	OEM Mid-Mower Compat.	Woods® Loader Compatible	Mount Ship Wt. (lbs.)	Notes
	2WD	FWA	ROPS	CAB										
L2900/L3300/L3010/L3410		X	X		Sub-frame	1001199	\$ 1,865.00	N/A	N/A	LA480, LA481	RC72-29A	LC96, LC102, LC108, 1009, 1012, 1016	370	1, 7
L3130/L3430/L3830		X	X		4-pt.	1006837	1,780.00	1006901	N/A	LA513, LA723	RC72-38	LC96, LC102, LC108, 1008 (N/A on L3830), 1009, 1012, 1016	404	1
L3240/L3540 (All Series)	X	X	X		4-pt.	1025692	1,812.00	1024864	N/A	LA514, LA724	RC72-38	LC96, LC102, LC108	394	1
L3560		X	X	X	4-pt.	1042811	1,756.00	1042649	N/A	LA805, LA1055	N/A	N/A	0	1, 18
L3600/L4200/L3710/L4310	X	X	X		Sub-frame	1001199	1,865.00	N/A	N/A	LA680, LA681	N/A	LC96, LC102, LC108	370	1, 7
L3940		X	X		4-pt.	1024885	1,708.00	1024864	N/A	LA724, LA854	RC72-38	LC96, LC102, LC108	398	1
L3940 Series 1		X		X	4-pt.	1025433	1,688.00	1024864	N/A	LA724, LA854	RC72-38	LC96, LC102, LC108	397	1, 13
L3940-3/L4240-3/L4740-3		X		X	4-pt.	1032926	1,759.00	1024864	46561	LA724, LA854	N/A	LC96, LC102, LC108, LC114	417	1
L4060/L4760		X	X	X	4-pt.	1042621	1,756.00	1042649	N/A	LA805, LA1055	N/A	N/A	510	1
L4240/L4740/L5040/L5240/L5740		X	X		4-pt.	1024885	1,708.00	1024864	N/A	LA854	N/A	LC108, LC114	398	1
L4240/L4740 Series 1		X		X	4-pt.	1025433	1,688.00	1024864	N/A	LA854	N/A	LC108, LC114	397	1
L4300		X	X		Sub-frame	1000555	1,865.00	N/A	N/A	LA682, LB552	N/A	LC96, LC102, LC108, 1009, 1012, 1016	375	1
L4330/L4630	X	X	X		4-pt.	1006837	1,780.00	1006901	N/A	LA853	N/A	LC96, LC102, LC108, LC114, 1009, 1012, 1016, 1020	404	1
L4330/L4630		X		X	4-pt.	1007399	1,587.00	1006901	N/A	LA853	N/A	LC96, LC102, LC108, LC114, 1009, 1012, 1016, 1020	377	1
L4600		X	X		4-pt.	1036181	1,291.00	1006901	N/A	LA764	N/A	LC102, LC108, LC114	446	1
L4610	X	X	X		Sub-frame	1000555	1,865.00	N/A	N/A	LA852	N/A	LC96, LC102, LC108, 1009, 1012, 1016	375	1
L4701		X	X		4-pt.	1036181	1,291.00	1006901	46561	LA765	N/A	N/A	374	1, 20
L5030	X	X	X		4-pt.	1007191	1,587.00	1006901	N/A	LA853	N/A	LC96, LC102, LC108, LC114, 1009, 1012, 1016, 1020	386	1, 2

Reference list continued on following page.
See NOTES on page BH28.

Prices and specifications subject to change without notice.
Prices effective January 1, 2021. Supersedes all previous pricing.
Woods reserves the right to limit quantities and apply surcharges at any time.

BACKHOE – TRACTOR MOUNTED

8.5-foot – BH85 Groundbreaker® (Continued)

BH85 BACKHOE REQUIRED TRACTOR SUB-FRAME ORDER REFERENCE LIST (Continued)

GROUP 1: SUB-FRAME (Continued)

Tractor Model	Fits Tractor Types				Mount Type	Part No.	Suggested List Price	Hose Kit for Tractor Hydraulics	Hose Kit for Tractor Remotes	OEM Loader Compat.	OEM Mid-Mower Compat.	Woods® Loader Compatible	Mount Ship Wt. (lbs.)	Notes
	2WD	FWA	ROPS	CAB										
KUBOTA® (Continued)														
L5060/L5460/L6060		X	X	X	4-pt.	1042801	\$ 1,756.00	1042649	N/A	LA805, LA1055	N/A	N/A	532	1
L5240/L5740 HSTC-3		X		X	4-pt.	1033471	1,650.00	1024864	N/A	LA854	N/A	LC108, LC114	396	1, 16
M4700/M5400	X	X	X		Sub-frame	46576	1,452.00 (MTO*)	N/A	N/A	LA1001	N/A	LU126, 1020, 1027	354	1, 3
M4800/M4800SU/M4900/M4900SU/M5700	X	X	X		4-pt.	1012225	1,728.00	1012258	N/A	LA1002	N/A	LU126, 1020, 1027	539	1, 5, 6
M5040/M5140/M6040/M7040	X	X	X		4-pt.	1020970	1,921.00	1021001	N/A	LA1153	N/A	LU126, 1020, 1027	485	1
M5040/M5140/M6040/M7040		X		X	4-pt.	1021020	2,440.00	1021001	N/A	LA1153	N/A	LU126, 1020, 1027	505	1
M5140	X	X	X		4-pt.	1020970	1,921.00	1021001	N/A	LA1153	N/A	LU126, LU132, 1020, 1027	485	1
M6060/M7060		X	X		4-pt.	1042740	2,030.00	1021001	N/A	LA1154	N/A	LU126	517	1
M6060/M7060		X		X	4-pt.	1042860	2,030.00	1021001	N/A	LA1154	N/A	LU126	519	1
M8540/M9540	X	X	X		4-pt.	1024060	1,970.00	1024317	N/A	LA1353	N/A	LU132, 1020, 1027	470	1, 10
MX4800/MX5200/MX5800	X	X	X		4-pt.	1029001	1,725.00	1029004	N/A	LA1065	N/A	LC108, LC114	424	1
MX5000	X	X	X		Sub-frame	1004625	1,797.00	N/A	N/A	LA702, LA852-1	N/A	LC96, LC102, LC108, 1009, 1012, 1016	410	1
MX5100	X	X	X		4-pt.	1029001	1,725.00	1029004	N/A	LA844	N/A	LC108, LC114	424	1
MASSEY FERGUSON®														
1533/1540		X	X		4-pt.	1013303	1,780.00	1014290	N/A	1525	1505	LC96, LC102, 1008, 1009, 1012	378	1, 10, 11
1547/1552	X	X	X	X	4-pt.	1015440	1,728.00	1015498	N/A	FL48	N/A	LC96, LC102, LC108, LC114, 1009, 1012, 1016	545	12
1635/1643		X	X		4-pt.	1013303	1,780.00	1014290	N/A	DL120	N/A	LC96, LC102	378	1, 10
1735M/1740M		X	X		4-pt.	1043301	1,630.00	1043355	N/A	DL125	N/A	N/A	550	1, 20
1736/1742		X	X		4-pt.	1043301	1,630.00	1043355	N/A	DL125	N/A	N/A	550	1
1749/1754/1758		X		X	4-pt.	1042470	2,106.00	1043355	N/A	DL130, DL135	N/A	N/A	550	1
1749/1754/1758		X	X		4-pt.	1042471	2,106.00	1043355	N/A	DL130, DL135	N/A	N/A	520	1
1750M/1755M		X		X	4-pt.	1042470	2,106.00	1043355	N/A	DL135, FL2814	N/A	N/A	550	1, 20
1750M/1755M		X	X		4-pt.	1042471	2,106.00	1043355	N/A	DL135, FL2814	N/A	N/A	520	1, 20

* MTO: Made-to-order. Please contact Customer Services for availability dates.

Reference list continued on following page.
See NOTES on page BH28.

Prices and specifications subject to change without notice.
Prices effective January 1, 2021. Supersedes all previous pricing.
Woods reserves the right to limit quantities and apply surcharges at any time.

BACKHOE – TRACTOR MOUNTED

8.5-foot – BH85 Groundbreaker® (Continued)

BH85 BACKHOE REQUIRED TRACTOR SUB-FRAME ORDER REFERENCE LIST (Continued)

GROUP 1: SUB-FRAME (Continued)

Tractor Model	Fits Tractor Types				Mount Type	Suggested Part No.	List Price	Hose Kit for Tractor Hydraulics	Hose Kit for Tractor Remotes	OEM Loader Compat.	OEM Mid-Mower Compat.	Woods® Loader Compatible	Mount Ship Wt. (lbs.)	Notes
	2WD	FWA	ROPS	CAB										
MASSEY FERGUSON® (Continued)														
1759/1760M Gear Transmission only		X		X	4-pt.	1045501	\$ 2,446.00	1042492	N/A	DL135, FL2814	N/A	N/A	699	1, 20
1759/1760M Gear Transmission only		X	X		4-pt.	1045538	2,315.00	1042492	N/A	DL135, FL2814	N/A	N/A	699	1, 20
1759/1760M Hydro		X		X	4-pt.	1042470	2,106.00	1043355	N/A	DL130, FL2814	N/A	N/A	520	1
1835M/1840M		X	X	X	4-pt.	1043301	1,630.00	1043355	N/A	FL2611	N/A	N/A	436	1, 20
2605H/2606H/2607H		X	X		4-pt.	618195	2,392.00	618153	N/A	911X	N/A	N/A	555	1, 20
2705E/2706E		X	X		4-pt.	1042471	2,106.00	1043355	N/A	L135E	N/A	N/A	520	1
2750E/2760E		X	X		4-pt.	1042471	2,106.00	1043355	N/A	FL2815	N/A	N/A	520	1, 20
McCORMICK®														
X10.55		X	X	X	4-pt.	1039176	1,762.00	1009756	N/A	L10.108, L10.114, L250	N/A	LC108, LC114	TBD	1, 15

See NOTES on page BH28.

PRICING DOES NOT INCLUDE CURRENT SURCHARGE AMOUNT

Prices and specifications subject to change without notice.
 Prices effective January 1, 2021. Supersedes all previous pricing.
 Woods reserves the right to limit quantities and apply surcharges at any time.

BACKHOE – TRACTOR MOUNTED

8.5-foot – BH85 Groundbreaker® (Continued)

GROUP 2: 3-POINT & 3RD POINT BRACKETS

Part No.	Description	Shipping Wt. (lbs.)	Suggested List Price
604355	Woods® SAF-T-LOK® 3-pt. hitch mounting – Category 1 or 2	178	\$ 1,449.00

REQUIRED 3RD POINT BRACKETS

34310	International® 484, 485, 495, 574, 584, 585, 595, 674, 684, 685, 695, 784, 785, 884, 885, 895, Hydro 84 & 2400A	11	\$ 219.00
34312	John Deere® 1020, 2020, 2030, 2040, 2120, 2130, 2140, 2150, 2155, 2240, 2250, 2255, 2350, 2355, 2440, 2450, 2550, 2555, 2630, 2640, 2650, 2750, 2755 & 2850	10	219.00
34313	John Deere 2510, 2520, 3020, 4020, 4030, 4040, 4050, 4230, 4240 & 4320 (4-hole)	11	219.00
34314	John Deere 2840, 2940, 2950 & 2955 (5-hole)	12	187.00
34318	Kubota® M4950DT, M6030 & M7030	20	219.00
34319	Massey Ferguson 165, 175, 240 (FWA only), 253 (FWA only), 255, 265, 270, 275, 285, 298 & 362 (not compatible with MF 2605, order from OEM)	32	219.00
34493	New Holland® – Ford® 2000, 3910, 3930, 4000, 4610, 4630, 445A, 545A, 340B & 540B	31	219.00
37931	John Deere 5200, 5210, 5300, 5400, 5410, 5500 & 5510 (Sub-frames also available)	20	490.00
1042469	John Deere 5103, 5203, 5303, 5403, 5045E, 5055E, 5065E, 5075E, 5083E, 5085E, 5090E, 5093E, 5100E & 5101E	17	227.00

NOTE: 3rd point bracket kit is REQUIRED to 3-point mount the BH85 Backhoe on the tractors listed above. All other tractors must be equipped with original high-strength top link pin with minimum 1-inch diameter.

HYDRAULICS

Part No.	Description	Shipping Wt. (lbs.)	Suggested List Price
604345	9 gpm Pump Kit – comes with 540 PTO driven pump, reservoir, hoses, filter and fittings	75	\$ 2,174.00
	OR		
46561	Hose Kit – reference mounting kit 1032926/1036181	6	175.00
618153	Hose Kit – reference mounting kit 618195	555	526.00
1006901	Hose Kit – reference mounting kits 1006837/1007191/1007399/1036181	14	406.00
1009756	Hose Kit – reference mounting kit 1039176	7	277.00
1012258	Hose Kit – reference mounting kit 1012225	6	284.00
1012370	Hose Kit – reference mounting kit 1012335	9	287.00
1014290	Hose Kit – reference mounting kit 1013303	8	248.00
1015498	Hose Kit – reference mounting kit 1015440	10	287.00
1015547	Hose Kit – reference mounting kit 1015465/1015570	10	345.00
1021001	Hose Kit – reference mounting kit 1020970/1021020/1042740/1042860	10	361.00
1021923	Hose Kit – reference mounting kit 1020699	9	345.00
1024317	Hose Kit – reference mounting kit 1024060	11	386.00
1024864	Hose Kit – reference mounting kit 1024885/1025433/1025692/1032926/1033471	13	469.00
1028352	Hose Kit – reference mounting kit 1028300/1036225	10	361.00
1028999	Hose Kit – reference mounting kit 1015570	6	278.00
1029004	Hose Kit – reference mounting kit 1029001	13	410.00
1032375	Hose Kit – reference mounting kit 1033084	13	469.00
1033779	Hose Kit – reference mounting kit 1031328	11	489.00
1035602	Hose Kit – reference mounting kit 1025576	0	385.00
1035603	Hose Kit – reference mounting kit 1025576	0	385.00
1042171	Hose Kit – reference mounting kit 1042151/1044151	12	451.00

Prices and specifications subject to change without notice.
 Prices effective January 1, 2021. Supersedes all previous pricing.
 Woods reserves the right to limit quantities and apply surcharges at any time.

BACKHOE – TRACTOR MOUNTED

8.5-foot – BH85 Groundbreaker® (Continued)

HYDRAULICS (Continued)

Part No.	Description	Shipping Wt. (lbs.)	Suggested List Price
1042492	Hose Kit – reference mounting kit 1045501/1045538	15	\$ 647.00
1042645	Hose Kit – reference mounting kit 1042611	5	168.00
1042649	Hose Kit – reference mounting kit 1042621/1042801/1042811	12	361.00
1043355	Hose Kit – reference mounting kit 1042470/1042471/1043301	16	553.00
1043399	Hose Kit – reference mounting kit 1043221	18	781.00
1045435	Hose Kit – reference mounting kit 1045400	12	541.00

THUMB KIT (Dealer-Installed – Thumb fits 16", 18" and 24" buckets)

602759	Dealer-Installed Mechanical Thumb Kit	110	\$ 728.00
--------	---------------------------------------	-----	-----------

MISCELLANEOUS ACCESSORIES/KITS

37994	Mounting Bracket (See note 7 below)	19	▲
54126	Flow Divider Kit – required for tractors with flow rate greater than 20 gpm	24	\$ 466.00
1006610KT	Street Pad Kit	5	203.00
1034178	Adapter Kit (See note 15 below)	TBD	162.00

▲ Please refer to the Woods Genuine Parts program and price list for discount and price at <http://dealer.woodsequipment.com>.

NOTES:

1. Tractor must be equipped with Woods® or OEM loader.
2. Hose kit #46561 to be used to connect to tractor remote hydraulics in lieu of self-contained pump kit.
3. Will not fit tractors with 18.4 – 16.1 or 21.5 – 16.1 rear tires.
4. To be used only with Woods loader mount #111758.
5. Approved with the following rear tire sizes: 16.9 x 28, 14.9 x 28, 16.9 x 24 or 17.5 – 24.
6. Requires front counterweights, Woods 1020/1027 Loader, or Kubota® LA1002 Loader.
7. If using Woods loader mounting kit #111747; order mounting bracket #37994.
8. Includes special pump bracket #54084 to be used with optional PTO hydraulic pump #604345.
9. May use Woods SAF-T-LOK® 3-point hitch mounting in place of sub-frame – 3rd point bracket may be required – see Group 2.
10. When using PTO pump kit #604345, 3-point arms must be removed.
11. Must order hardware package #1013278 for compatibility with Woods 1008 loader.
12. Minimum rear tire width is 55 inches.
13. Backhoe may be installed with mid-mower in raised locked position. Remove backhoe to use mid-mower.
14. Not recommended for installation on tractors with 41/18LL x 16.1 rear Galaxy® turf tires.
15. Adapter kit #1034178 is required for compatibility with McCormick® L250 loader.
16. Hose kit #1024864 is not compatible with tractor remotes.
17. Woods hose kit attaches to John Deere PBY kit, which must be purchased from John Deere.
18. For use with L3560 Cab model, spacer kit #1009664 must be ordered.
19. Check tractor's hydraulic cover below right side of tractor seat. Hose kit #1035602 is for 4-bolt cover. Hose kit #1035603 is for 3-bolt cover.
20. Tractor's lower 3-point hitch links may be left in place unless using PTO pump kit.

Prices and specifications subject to change without notice.
 Prices effective January 1, 2021. Supersedes all previous pricing.
 Woods reserves the right to limit quantities and apply surcharges at any time.

BACKHOE – TRACTOR MOUNTED

10-foot – BH100 Groundbreaker®

FEATURES:

- Two lever operating controls
- Woods' unique easy on/easy off 4-point **EXCLUSIVE FEATURE** mounting system – no tools required
- High back seat
- Wide stance stabilizer arms with flip-over cast pad (Street and claw)
- Replaceable bushings
- Easy access walk-through design
- Wear rings on all cylinders
- Mountings compatible with 3-point, sub-frames or skid steer
- Construction grade buckets
- 2-year warranty



Specifications:

Tractor Horsepower	40 – 100 hp
Digging Depth (2-foot flat bottom)	10 feet
Swing Arc	180 degrees
Loading Height	8 feet, 4 inches
Transport Height	8 feet, 8 inches
Reach from Swing Pivot	13 feet, 5 inches
Dipperstick Digging Force	2720 lbs.
Bucket Digging Force	4600 lbs.
Required Hydraulic Flow	9 – 12 gpm
Rated Pressure	2465 psi

WARNING

To avoid hitch failure and possible operator injury, before mounting the BH100 backhoe to the tractor 3-pt. hitch, verify that the hitch meets ASABE standards. Also observe the maximum and minimum hitch dimensions described in the safety and assembly sections of the Operator's Manuals. Woods® makes no warranty, implied or otherwise, concerning the structural integrity of any tractor's 3-point hitch or tractor frame housing assembly. If tractor is not equipped with front end loader, front end ballast is required for safety and stability.

WARNING: Sub-frame kits listed are required for all tractors listed.

NOTE: Includes basic unit only. Does not include bucket, mounting kit or pump kit. Order from below to complete.

BH100 - BASE UNIT (WITHOUT THUMB)

Part No.	Description	Shipping Wt. (lbs.)	Suggested List Price
607635	Universal Black	1475	\$ 11,021.00
607631	Green to match John Deere®	1475	11,021.00
607634	Orange to match Kubota®/Kioti®	1475	11,021.00
607636	Red to match Massey Ferguson®	1475	11,021.00
607637	Vibrant Blue to match New Holland®	1475	11,021.00

BH100 WITH FACTORY-INSTALLED HYDRAULIC THUMB*

Part No.	Description	Shipping Wt. (lbs.)	Suggested List Price
607635HT	Universal Black w/Thumb	1640	\$ 12,870.00
607631HT	Green to match John Deere® w/Thumb	1640	12,870.00
607634HT	Orange to match Kubota®/Kioti® w/Thumb	1640	12,870.00
607636HT	Red to match MF w/Thumb	1640	12,870.00
607637HT	Vibrant Blue to match NH w/Thumb	1640	12,870.00

* Fits with 15", 18" and 24" buckets.

HEAVY-DUTY BUCKETS

Part No.	Description	Bucket Capacity (cu. ft.)	Ship. Wt. (lbs.)	Suggested List Price
602753	12" Bucket	1.37	94	\$ 600.00
602754	15" Bucket	1.84	103	621.00
602755	18" Bucket	2.32	117	673.00
602756	24" Bucket	3.27	141	750.00
602757	36" Cemetery Bkt. (Incl. teeth)	3.17	183	1,320.00
602757D	36" Ditching Bkt. (W/out teeth)	3.17	155	1,087.00

Prices and specifications subject to change without notice.
 Prices effective January 1, 2021. Supersedes all previous pricing.
 Woods reserves the right to limit quantities and apply surcharges at any time.

BACKHOE – TRACTOR MOUNTED

10-foot – BH100 Groundbreaker® (Continued)

MOUNTING KITS – Choose from Group 1 or Group 2 (Some tractors require a backhoe sub-frame as noted below & on the following pages.)

BH100 BACKHOE REQUIRED TRACTOR SUB-FRAME ORDER REFERENCE LIST

GROUP 1: SUB-FRAME

Tractor Model	Fits Tractor Types				Mount Type	Part No.	Suggested List Price	Hose Kit for Tractor Hydraulics	Hose Kit for Tractor Remotes	OEM Loader Compat.	OEM Mid-Mower Compat.	Woods® Loader Compatible	Mount Ship Wt. (lbs.)	Notes
	2WD	FWA	ROPS	CAB										
AGCO®														
ST34A/ST41A		X	X		4-pt.	1013303	\$ 1,780.00	1014290	N/A	1525	SM72A	1008, 1009, 1012	378	1, 10, 11
ST47A/ST52A	X	X	X	X	4-pt.	1015440	1,728.00	1015498	N/A	FL48	N/A	LC96, LC102, LC108, LC114, 1009, 1012, 1016	545	12
CASE IH®														
D35/DX35/D40/DX40/D45/DX45	X	X	X	X	4-pt.	1025576	2,451.00	See Notes	N/A	LX116	N/A	LC96, LC102, LC108, 1009, 1012, 1016	632	1, 19
DX48/DX55	X	X	X		4-pt.	1020699	2,020.00	1021923	N/A	LX118	N/A	LC108, LC114, 1020	514	1, 10
Farmall 40/45/50	X	X	X	X	4-pt.	1025576	2,451.00	See Notes	N/A	L350, LX116	N/A	LC96, LC102, LC108, 1009, 1012, 1016	632	1, 19
Farmall 40B/50B		X	X		4-pt.	1031328	2,520.00	1033779	N/A	L350	N/A	LC96, LC102	531	1
Farmall 40C/50C		X	X		4-pt.	1042151	2,128.00	1042171	N/A	L360A	N/A	LC102, LC108	500	1
Farmall 40C/50C		X		X	4-pt.	1044151	2,030.00	1042171	N/A	L360A	N/A	N/A	590	1
Farmall 45A/55A (Tier III only)	X	X	X		4-pt.	1036225	2,735.00	1028352	N/A	615TL, L530	N/A	LC108, LC114	620	1
Farmall 45C/55C		X	X		4-pt.	1042151	2,128.00	1042171	N/A	L360A	N/A	N/A	432	1
Farmall 45C/55C (Series 2)		X		X	4-pt.	1044151	2,030.00	1042171	N/A	L360A	N/A	N/A	590	1
Farmall 50A/60A/70A	X	X	X		4-pt.	1043221	1,812.00	1043399	N/A	L545, L555	N/A	LC108, LC114	636	1
Farmall 55/60		X	X		4-pt.	1020699	2,020.00	1021923	N/A	270TL	N/A	LC108, LC114	514	1
CHALLENGER®														
MT265B/MT275B		X	X		4-pt.	1013303	1,780.00	1014290	N/A	ML30B	72"	1008, 1009, 1012	378	1, 10, 11
MT285B/MT295B	X	X	X	X	4-pt.	1015440	1,728.00	1015498	N/A	FL48	N/A	1009, 1012, 1016	545	12
FORD® & NEW HOLLAND®														
Boomer 40/50		X	X		4-pt.	1031328	2,520.00	1033779	N/A	250TL	N/A	LC96, LC102	531	1
Boomer 41/47		X	X		4-pt.	1042151	2,128.00	1042171	N/A	260TLA	N/A	LC102, LC108	500	1
Boomer 41/47		X		X	4-pt.	1044151	2,030.00	1042171	N/A	260TLA	N/A	N/A	500	1
Boomer 45/50/55 (Tier 4B Final)		X	X		4-pt.	1042151	2,128.00	1042171	N/A	260TLA	N/A	N/A	500	1
Boomer 45/50/55 (Tier 4B Final)		X		X	4-pt.	1044151	2,030.00	1042171	N/A	260TLA	N/A	N/A	590	1

Reference list continued on following page.
See NOTES on page BH36.

Prices and specifications subject to change without notice.
Prices effective January 1, 2021. Supersedes all previous pricing.
Woods reserves the right to limit quantities and apply surcharges at any time.

BACKHOE – TRACTOR MOUNTED 10-foot – BH100 Groundbreaker® (Continued)

BH100 BACKHOE REQUIRED TRACTOR SUB-FRAME ORDER REFERENCE LIST (Continued)

GROUP 1: SUB-FRAME (Continued)

Tractor Model	Fits Tractor Types				Mount Type	Part No.	Suggested List Price	Hose Kit for Tractor Hydraulics	Hose Kit for Tractor Remotes	OEM Loader Compat.	OEM Mid-Mower Compat.	Woods® Loader Compatible	Mount Ship Wt. (lbs.)	Notes
	2WD	FWA	ROPS	CAB										
FORD® & NEW HOLLAND® (Continued)														
Boomer 3040/3045/3050, 8N (CVT only)		X	X	X	4-pt.	1033084	\$ 1,988.00	1032375	N/A	250TL	N/A	LC96, LC102, LC108	554	1, 14
Boomer 3040/3045/3050 (Except CVT)	X	X	X	X	4-pt.	1025576	2,451.00	See Notes	N/A	250TL, 260TL	N/A	LC96, LC102, LC108	632	1, 19
T2310/T2320/T2330	X	X	X	X	4-pt.	1025576	2,451.00	See Notes	N/A	16LA, 17LA, 250TL, 260TL	N/A	LC96, LC102, LC108, 1009, 1012, 1016	632	1, 19
T2410/T2420		X	X	X	4-pt.	1020699	2,020.00	1021923	N/A	270TL	N/A	LC108, LC114	514	1
TC35/TC35A/TC35D/TC35DA/TC40/TC40A/TC40D/TC40DA/TC45/TC45A/TC45D/TC45DA	X	X	X	X	4-pt.	1025576	2,451.00	See Notes	N/A	16LA, 17LA, 250TL, 260TL	N/A	LC96, LC102, LC108, 1009, 1012, 1016	632	1, 19
TC48DA/TC55DA	X	X	X		4-pt.	1020699	2,020.00	1021923		18LA	N/A	LC108, LC114, 1020	514	1, 10
TT45A/TT50A	X		X		4-pt.	1028300	2,364.00	1028352	N/A	610TL	N/A	LC108, LC114	632	1
Workmaster 45/55 (Tier III only)	X	X	X		4-pt.	1036225	2,735.00	1028352	N/A	615TL, L530	N/A	LC108, LC114	620	1
Workmaster 50/60/70	X	X	X		4-pt.	1043221	1,812.00	1043399	N/A	611TL, 616TL, 621TL, 626TL	N/A	LC108, LC114	636	1
JOHN DEERE®														
4044M/4044R/4052M/4052R/4066M/4066R		X	X	X	4-pt.	1042611	1,932.00	1042645	N/A	D170, D180	N/A	N/A	565	1, 17
4120/4320/4520/4720	X	X	X	X	4-pt.	1012335	1,700.00	1012370	N/A	400X	N/A	LC96, LC102, LC108, LC114, 1009, 1012, 1016	461	1
4500/4600/4700/4510/4610/4710		X	X		Sub-frame	59748	1,452.00	N/A	N/A	430, 460	N/A	LC96, LC102, LC108, 1009, 1012, 1016	291	1
5045E/5055E/5065E/5075E (Tier IV)	X	X	X	X	4-pt.	1045400	2,636.00	1045435	N/A	512NSL, H240NSL, H240MSL, H260NSL	N/A	N/A	610	1, 9
5065E/5075E (Except Tier IV)	X	X	X		4-pt.	1015570	1,662.00	1015547	N/A	512	N/A	LU126	525	1, 9
5103/5203/5303	X	X	X		4-pt.	1015570	1,662.00	N/A	1028999	512, 522	N/A	LU126, LU132	525	1, 9
5105/5205	X	X	X		4-pt.	1015465	1,932.00	1015547	N/A	512, 522	N/A	LU126, 1020, 1027	527	
5200/5300/5400/5500/5210/5310/5410/5510	X	X	X		Sub-frame	1001378	1,728.00 (MTO*)	N/A	N/A	520, 540	N/A	LU126, 1020, 1027	414	1, 8, 9
KIOTI®														
DK55		X	X	X	4-pt.	1039176	1,762.00	1009756	N/A	KL1595	N/A	LC108, LC114	TBD	1

* MTO: Made-to-order. Please contact Customer Services for availability dates.

Reference list continued on following page.
See NOTES on page BH36.

Prices and specifications subject to change without notice.
Prices effective January 1, 2021. Supersedes all previous pricing.
Woods reserves the right to limit quantities and apply surcharges at any time.

BACKHOE – TRACTOR MOUNTED

10-foot – BH100 Groundbreaker® (Continued)

BH100 BACKHOE REQUIRED TRACTOR SUB-FRAME ORDER REFERENCE LIST (Continued)

GROUP 1: SUB-FRAME (Continued)

Tractor Model	Fits Tractor Types				Mount Type	Part No.	Suggested List Price	Hose Kit for Tractor Hydraulics	Hose Kit for Tractor Remotes	OEM Loader Compat.	OEM Mid-Mower Compat.	Woods® Loader Compatible	Mount Ship Wt. (lbs.)	Notes
	2WD	FWA	ROPS	CAB										
L2900/L3300/ L3010/L3410		X	X		Sub-frame	1001199	\$ 1,865.00	N/A	N/A	LA480, LA481	RC72-29A	LC96, LC102, LC108, 1009, 1012, 1016	370	1, 7
L3130/L3430/L3830		X	X		4-pt.	1006837	1,780.00	1006901	N/A	LA513, LA723	RC72-38	LC96, LC102, LC108, 1008 (N/A on L3830), 1009, 1012, 1016	404	1
L3240/L3540 (All Series)	X	X	X		4-pt.	1025692	1,812.00	1024864	N/A	LA514, LA724	RC72-38	LC96, LC102, LC108	394	1
L3560		X	X	X	4-pt.	1042811	1,756.00	1042649	N/A	LA805, LA1055	N/A	N/A	0	1, 18
L3600/L4200/ L3710/L4310	X	X	X		Sub-frame	1001199	1,865.00	N/A	N/A	LA680, LA681	N/A	1009, 1012, 1016	370	1, 7
L3940		X	X		4-pt.	1024885	1,708.00	1024864	N/A	LA724, LA854	RC72-38	LC96, LC102, LC108	398	1
L3940 Series 1		X		X	4-pt.	1025433	1,688.00	1024864	N/A	LA724, LA854	RC72-38	LC96, LC102, LC108	397	1, 13
L3940-3/L4240-3/ L4740-3		X		X	4-pt.	1032926	1,759.00	1024864	46561	LA724, LA854	N/A	LC96, LC102, LC108, LC114	417	1
L4060/L4760		X	X	X	4-pt.	1042621	1,756.00	1042649	N/A	LA805, LA1055	N/A	N/A	510	1
L4240/L4740/L5040/ L5240/L5740		X	X		4-pt.	1024885	1,708.00	1024864	N/A	LA854	N/A	LC108, LC114	398	1
L4240/L4740 Series 1		X		X	4-pt.	1025433	1,688.00	1024864	N/A	LA854	N/A	LC108, LC114	397	1
L4300		X	X		Sub-frame	1000555	1,865.00	N/A	N/A	LA682, LB552	N/A	LC96, LC102, LC108, 1009, 1012, 1016	375	1
L4330/L4630	X	X	X		4-pt.	1006837	1,780.00	1006901	N/A	LA853	N/A	LC96, LC102, LC108, LC114, 1009, 1012, 1016, 1020	404	1
L4330/L4630		X		X	4-pt.	1007399	1,587.00	1006901	N/A	LA853	N/A	LC96, LC102, LC108, LC114, 1009, 1012, 1016, 1020	377	1
L4600		X	X		4-pt.	1036181	1,291.00	1006901	N/A	LA764	N/A	LC102, LC108, LC114	446	1
L4610	X	X	X		Sub-frame	1000555	1,865.00	N/A	N/A	LA852	N/A	LC96, LC102, LC108, 1009, 1012, 1016	375	1
L4701		X	X		4-pt.	1036181	1,291.00	1006901	46561	LA765	N/A	N/A	374	1, 20
L5030	X	X	X		4-pt.	1007191	1,587.00	1006901	N/A	LA853	N/A	LC96, LC102, LC108, LC114, 1009, 1012, 1016, 1020	386	1, 2

Reference list continued on following page.
See NOTES on page BH36.

Prices and specifications subject to change without notice.
Prices effective January 1, 2021. Supersedes all previous pricing.
Woods reserves the right to limit quantities and apply surcharges at any time.

BACKHOE – TRACTOR MOUNTED 10-foot – BH100 Groundbreaker® (Continued)

BH100 BACKHOE REQUIRED TRACTOR SUB-FRAME ORDER REFERENCE LIST (Continued)

GROUP 1: SUB-FRAME (Continued)

Tractor Model	Fits Tractor Types				Mount Type	Part No.	Suggested List Price	Hose Kit for Tractor Hydraulics	Hose Kit for Tractor Remotes	OEM Loader Compat.	OEM Mid-Mower Compat.	Woods® Loader Compatible	Mount Ship Wt. (lbs.)	Notes
	2WD	FWA	ROPS	CAB										
KUBOTA® (Continued)														
L5060/L5460/L6060		X	X	X	4-pt.	1042801	\$ 1,756.00	1042649	N/A	LA805, LA1055	N/A	N/A	532	1
L5240/L5740 HSTC-3		X		X	4-pt.	1033471	1,650.00	1024864	N/A	LA854	N/A	LC108, LC114	396	1, 16
M4700/M5400	X	X	X		Sub-frame	46576	1,452.00 (MTO*)		N/A	LA1001	N/A	LU126, 1020, 1027	354	1, 3
M4800/M4800SU/ M4900/M4900SU/ M5700	X	X	X		4-pt.	1012225	1,728.00	1012258	N/A	LA1002	N/A	LU126, 1020, 1027	539	1, 5, 6
M5040/M5140/M6040/ M7040	X	X	X		4-pt.	1020970	1,921.00	1021001	N/A	LA1153	N/A	LU126, 1020, 1027	485	1
M5040/M5140/M6040/ M7040		X		X	4-pt.	1021020	2,440.00	1021001	N/A	LA1153	N/A	LU126, 1020, 1027	505	1
M5140	X	X	X		4-pt.	1020970	1,921.00	1021001	N/A	LA1153	N/A	LU126, LU132, 1020, 1027	485	1
M6060/M7060		X	X		4-pt.	1042740	2,030.00	1021001	N/A	LA1154	N/A	LU126	517	1
M6060/M7060		X		X	4-pt.	1042860	2,030.00	1021001	N/A	LA1154	N/A	LU126	519	1
M8540/M9540	X	X	X		4-pt.	1024060	1,970.00	1024317	N/A	LA1353	N/A	LU132, 1020, 1027	470	1, 10
MX4800/MX5200/ MX5800	X	X	X		4-pt.	1029001	1,725.00	1029004	N/A	LA1065	N/A	LC108, LC114	424	1
MX5000	X	X	X		Sub-frame	1004625	1,797.00	N/A	N/A	LA702, LA852-1	N/A	LC96, LC102, LC108, 1009, 1012, 1016	410	1
MX5100	X	X	X		4-pt.	1029001	1,725.00	1029004	N/A	LA844	N/A	LC108, LC114	424	1
MASSEY FERGUSON®														
1533/1540		X	X		4-pt.	1013303	1,780.00	1014290	N/A	1525	1505	LC96, LC102, 1008, 1009, 1012	378	1, 10, 11
1547/1552	X	X	X	X	4-pt.	1015440	1,728.00	1015498	N/A	FL48	N/A	LC96, LC102, LC108, LC114, 1009, 1012, 1016	545	12
1635/1643		X	X		4-pt.	1013303	1,780.00	1014290	N/A	DL120	N/A	LC96, LC102	378	1, 10
1735M/1740M		X	X		4-pt.	1043301	1,630.00	1043355	N/A	DL125	N/A	N/A	550	1, 20
1736/1742		X	X		4-pt.	1043301	1,630.00	1043355	N/A	DL125	N/A	N/A	550	1
1749/1754/1758		X		X	4-pt.	1042470	2,106.00	1043355	N/A	DL130, DL135	N/A	N/A	550	1
1749/1754/1758		X	X		4-pt.	1042471	2,106.00	1043355	N/A	DL130, DL135	N/A	N/A	520	1
1750M/1755M		X		X	4-pt.	1042470	2,106.00	1043355	N/A	DL135, FL2814	N/A	N/A	550	1, 20
1750M/1755M		X	X		4-pt.	1042471	2,106.00	1043355	N/A	DL135, FL2814	N/A	N/A	520	1, 20

* MTO: Made-to-order. Please contact Customer Services for availability dates.

Reference list continued on following page.
See NOTES on page BH36.

Prices and specifications subject to change without notice.
Prices effective January 1, 2021. Supersedes all previous pricing.
Woods reserves the right to limit quantities and apply surcharges at any time.

BACKHOE – TRACTOR MOUNTED

10-foot – BH100 Groundbreaker® (Continued)

BH100 BACKHOE REQUIRED TRACTOR SUB-FRAME ORDER REFERENCE LIST (Continued)

GROUP 1: SUB-FRAME (Continued)

Tractor Model	Fits Tractor Types				Mount Type	Part No.	Suggested List Price	Hose Kit for Tractor Hydraulics	Hose Kit for Tractor Remotes	OEM Loader Compat.	OEM Mid-Mower Compat.	Woods® Loader Compatible	Mount Ship Wt. (lbs.)	Notes
	2WD	FWA	ROPS	CAB										
MASSEY FERGUSON® (Continued)														
1759/1760M Gear Transmission only		X		X	4-pt.	1045501	\$ 2,446.00	1042492	N/A	DL135, FL2814	N/A	N/A	699	1, 20
1759/1760M Gear Transmission only		X	X		4-pt.	1045538	2,315.00	1042492	N/A	DL135, FL2814	N/A	N/A	699	1, 20
1759/1760M Hydro		X		X	4-pt.	1042470	2,106.00	1043355	N/A	DL130	N/A	LC108, LC114	520	1
1835M/1840M		X	X	X	4-pt.	1043301	1,630.00	1043355	N/A	FL2611	N/A	N/A	436	1, 20
2605H/2606H/2607H		X	X		4-pt.	618195	2,392.00	618153	N/A	911X	N/A	N/A	555	1, 20
2705E/2706E		X	X		4-pt.	1042471	2,106.00	1043355	N/A	L135E	N/A	N/A	520	1
2750E/2760E		X	X		4-pt.	1042471	2,106.00	1043355	N/A	FL2815	N/A	N/A	520	1, 20
McCORMICK®														
X10.55		X	X	X	4-pt.	1039176	1,762.00	1009756	N/A	L10.108, L10.114, L250	N/A	LC108, LC114	TBD	1, 15

See NOTES on page BH36.

PRICING DOES NOT INCLUDE CURRENT SURCHARGE AMOUNT

Prices and specifications subject to change without notice.
 Prices effective January 1, 2021. Supersedes all previous pricing.
 Woods reserves the right to limit quantities and apply surcharges at any time.

BACKHOE – TRACTOR MOUNTED 10-foot – BH100 Groundbreaker® (Continued)

GROUP 2: 3-POINT & 3RD POINT BRACKETS

Part No.	Description	Shipping Wt. (lbs.)	Suggested List Price
604355	Woods® SAF-T-LOK® 3-pt. hitch mounting – Category 1 or 2	178	\$ 1,449.00

REQUIRED 3RD POINT BRACKETS

34310	International® 484, 485, 495, 574, 584, 585, 595, 674, 684, 685, 695, 784, 785, 884, 885, 895, Hydro 84 & 2400A	11	\$ 219.00
34312	John Deere® 1020, 2020, 2030, 2040, 2120, 2130, 2140, 2150, 2155, 2240, 2250, 2255, 2350, 2355, 2440, 2450, 2550, 2555, 2630, 2640, 2650, 2750, 2755 & 2850	10	219.00
34313	John Deere 2510, 2520, 3020, 4020, 4030, 4040, 4050, 4230, 4240 & 4320 (4-hole)	11	219.00
34314	John Deere 2840, 2940, 2950 & 2955 (5-hole)	12	187.00
34315	John Deere 3010 & 4010	10	219.00
34318	Kubota® M4950DT, M6030 & M7030	20	219.00
34319	Massey Ferguson 165, 175, 240 (FWA only), 253 (FWA only), 255, 265, 270, 275, 285, 298 & 362 (not compatible with MF 2605, order from OEM)	32	219.00
34493	New Holland® – Ford® 2000, 3910, 3930, 4000, 4610, 4630, 445A, 545A, 340B & 540B	31	219.00
37931	John Deere 5200, 5210, 5300, 5400, 5410, 5500 & 5510 (Sub-frames also available)	20	490.00
1042469	John Deere 5103, 5203, 5303, 5403, 5045E, 5055E, 5065E, 5075E, 5083E, 5085E, 5090E, 5093E, 5100E & 5101E	17	227.00

NOTE: 3rd point bracket kit is REQUIRED to 3-point mount the BH100 Backhoe on the tractors listed above. All other tractors must be equipped with original high-strength top link pin with minimum 1-inch diameter.

HYDRAULICS

Part No.	Description	Shipping Wt. (lbs.)	Suggested List Price
604345	9 gpm Pump Kit – comes with 540 PTO driven pump, reservoir, hoses, filter and fittings	75	\$ 2,174.00
	OR		
46561	Hose Kit – reference mounting kit 1032926/1036181	6	175.00
618153	Hose Kit – reference mounting kit 618195	555	526.00
1006901	Hose Kit – reference mounting kits 1006837/1007191/1007399/1036181	14	406.00
1009756	Hose Kit – reference mounting kit 1039176	7	277.00
1012258	Hose Kit – reference mounting kit 1012225	6	284.00
1012370	Hose Kit – reference mounting kit 1012335	9	287.00
1014290	Hose Kit – reference mounting kit 1013303	8	248.00
1015498	Hose Kit – reference mounting kit 1015440	10	287.00
1015547	Hose Kit – reference mounting kit 1015465/1015570	10	345.00
1021001	Hose Kit – reference mounting kit 1020970/1021020/1042740/1042860	10	361.00
1021923	Hose Kit – reference mounting kit 1020699	9	345.00
1024317	Hose Kit – reference mounting kit 1024060	11	386.00
1024864	Hose Kit – reference mounting kit 1024885/1025433/1025692/1032926/1033471	13	469.00
1028352	Hose Kit – reference mounting kit 1028300/1036225	10	361.00
1028999	Hose Kit – reference mounting kit 1015570	6	278.00
1029004	Hose Kit – reference mounting kit 1029001	13	410.00
1032375	Hose Kit – reference mounting kit 1033084	13	469.00
1033779	Hose Kit – reference mounting kit 1031328	11	489.00
1035602	Hose Kit – reference mounting kit 1025576	0	385.00
1035603	Hose Kit – reference mounting kit 1025576	0	385.00
1042171	Hose Kit – reference mounting kit 1042151/1044151	12	451.00

Prices and specifications subject to change without notice.
Prices effective January 1, 2021. Supersedes all previous pricing.
Woods reserves the right to limit quantities and apply surcharges at any time.

BACKHOE – TRACTOR MOUNTED

10-foot – BH100 Groundbreaker® (Continued)

HYDRAULICS (Continued)

Part No.	Description	Shipping Wt. (lbs.)	Suggested List Price
1042492	Hose Kit – reference mounting kit 1045501/1045538	15	\$ 647.00
1042645	Hose Kit – reference mounting kit 1042611	5	168.00
1042649	Hose Kit – reference mounting kit 1042621/1042801/1042811	12	361.00
1043355	Hose Kit – reference mounting kit 1042470/1042471/1043301	16	553.00
1043399	Hose Kit – reference mounting kit 1043221	18	781.00
1045435	Hose Kit – reference mounting kit 1045400	12	541.00

THUMB KIT (Dealer-Installed – Thumb fits 16", 18" and 24" buckets)

602759	Dealer-Installed Mechanical Thumb Kit	110	\$ 728.00
--------	---------------------------------------	-----	-----------

MISCELLANEOUS ACCESSORIES/KITS

37994	Mounting Bracket (See note 7 below)	19	▲
54126	Flow Divider Kit – required for tractors with flow rate greater than 20 gpm	24	\$ 466.00
1006610KT	Street Pad Kit	5	203.00
1034178	Adapter Kit (See note 15 below)	TBD	162.00

▲ Please refer to the Woods Genuine Parts program and price list for discount and price at <http://dealer.woodsequipment.com>.

NOTES:

1. Tractor must be equipped with Woods® or OEM loader.
2. Hose kit #46561 to be used to connect to tractor remote hydraulics in lieu of self-contained pump kit.
3. Will not fit tractors with 18.4 – 16.1 or 21.5 – 16.1 rear tires.
4. To be used only with Woods loader mount #111758.
5. Approved with the following rear tire sizes: 16.9 x 28, 14.9 x 28, 16.9 x 24 or 17.5 – 24.
6. Requires front counterweights, Woods 1020/1027 Loader, or Kubota® LA1002 Loader.
7. If using Woods loader mounting kit #111747; order mounting bracket #37994.
8. Includes special pump bracket #54084 to be used with optional PTO hydraulic pump #604345.
9. May use Woods SAF-T-LOK® 3-point hitch mounting in place of sub-frame – 3rd point bracket may be required – see Group 2.
10. When using PTO pump kit #604345, 3-point arms must be removed.
11. Must order hardware package #1013278 for compatibility with Woods 1008 loader.
12. Minimum rear tire width is 55 inches.
13. Backhoe may be installed with mid-mower in raised locked position. Remove backhoe to use mid-mower.
14. Not recommended for installation on tractors with 41/18LL x 16.1 rear Galaxy® turf tires.
15. Adapter kit #1034178 is required for compatibility with McCormick® L250 loader.
16. Hose kit #1024864 is not compatible with tractor remotes.
17. Woods hose kit attaches to John Deere PBY kit, which must be purchased from John Deere.
18. For use with L3560 Cab model, spacer kit #1009664 must be ordered.
19. Check tractor's hydraulic cover below right side of tractor seat. Hose kit #1035602 is for 4-bolt cover. Hose kit #1035603 is for 3-bolt cover.
20. Tractor's lower 3-point hitch links may be left in place unless using PTO pump kit.

Prices and specifications subject to change without notice.
 Prices effective January 1, 2021. Supersedes all previous pricing.
 Woods reserves the right to limit quantities and apply surcharges at any time.

TABLE OF CONTENTS

Woods® Skid Steer Attachments	SS2 – SS4
Bale Spears	SS2
Pallet Forks – Full Height and Walk-thru Frame	SS2
Toothbars – Standard-Duty	SS3 – SS4
Alitec™ Skid Steer Attachments (Construction Section)	CO2 – CO8
Buckets – Construction	CO2 – CO3
Buckets – Compact Articulated Loader	CO4
Buckets – High Capacity, Light Material	CO5
Buckets – Root Grapples	CO6
Buckets – Scrap Grapples	CO7
Tillers	CO8

PRICING DOES NOT INCLUDE
CURRENT SURCHARGE AMOUNT

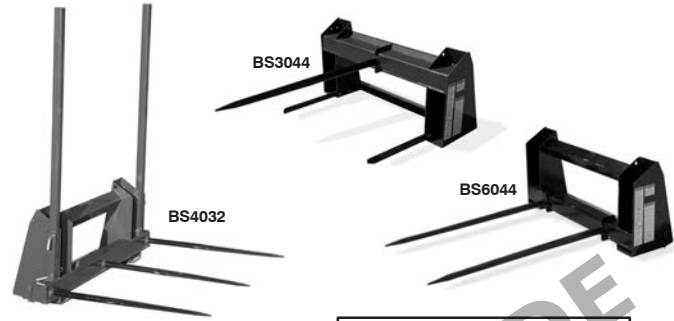
WOODS® SKID STEER ATTACHMENTS

BALE SPEARS

BS-Series Bale Spears

FEATURES:

- Maximum carry load: 3,000 – 6,000 lbs.
- 45mm (BS3044, BS6044) and 36mm (BS4032) diameter drop-forged steel spears
- Single and Double Bale Spears frame dimensions (width x height): 45" x 21"
- Triple Bale Spear frame dimensions (width x height): 58" x 21" (66" overall height with standard vertical backstops)
- High-strength steel plate frames
- Optional step kit



Ag & Turf Discounts Apply

SKID STEER (ISO 24410) QUICK ATTACH SYSTEM

Model No.	Part No.	Description	Qty. of Spears	Max. Carry Load (lbs.)	Spear Usable Length (in.)	Shipping Wt. (lbs.)	Suggested List Price	Qty. of 5 List Price *
BS3044S	1037170	Single Bale Spear with two Stabilizer Spikes – Skid Steer Quick Attach	1	3000	44	201	\$ 695.00	\$ 626.00
BS6044S	1037171	Double Bale Spear – Skid Steer Quick Attach	2	6000	44	223	845.00	761.00
BS4032S	1044700	Triple Bale Spear – Skid Steer Quick Attach	3	4000	32	275	950.00	855.00

* Order 5+ units in any combination of bale spears to receive an additional 10% discount.

ACCESSORIES

Part No.	Description	Shipping Wt. (lbs.)	Suggested List Price
1019883	Step Kit for Skid Steer Applications	3	\$ 35.00

PALLET FORKS – FULL HEIGHT AND WALK-THRU FRAME

PF- and PFW-Series Pallet Forks

FEATURES:

- 2200-, 4400- and 6600-lb. fork capacity
- Certified, forged steel fork tines (ISO Class 2A) for long life
- Walk-thru frame and low step offer easy access and optimum visibility
- High back frame with movable walk-thru crossbar to fit your prime mover and application
- Standard clevis for lifting from a single, secure point on the frame with same lift capacity as the fork tines
- Compatible with Skid Steer (ISO 24410) Quick Attach Systems

Ag & Turf Discounts Apply



Model No.	Part No.	Description	Lift Cap. (lbs.)	Fork Tine Size (in.)	Shipping Wt. (lbs.)	Suggested List Price	Qty. of 5 List Price *
PFW2242S	1045980	Pallet Fork – Walk-thru Frame – Skid Steer Quick Attach	2200	42	328	\$ 1,056.00	\$ 950.00
PFW4442S	1042551	Pallet Fork – Walk-thru Frame – Skid Steer Quick Attach	4400	42	380	1,147.00	1,032.00
PF4448S	1045940	Pallet Fork – Full Frame – Skid Steer Quick Attach	4400	48	436	1,193.00	1,074.00
PFW4448S	1042552	Pallet Fork – Walk-thru Frame – Skid Steer Quick Attach	4400	48	380	1,165.00	1,049.00
PFW6648S	1045930	Pallet Fork – Walk-thru Frame – Skid Steer Quick Attach	6600	48	514	1,506.00	1,355.00

* Order 5+ units in any combination of pallet forks to receive an additional 10% discount.

ACCESSORIES

Part No.	Description	Shipping Wt. (lbs.)	Suggested List Price
1019883	Foot Step Kit	3	\$ 35.00

WARNING: Attachment selection and application must not exceed skid steer model rated operating loads or other specific requirements. All Operator's Manual and mounting instructions must be followed.

Prices and specifications subject to change without notice.
 Prices effective January 1, 2021. Supersedes all previous pricing.
 Woods reserves the right to limit quantities and apply surcharges at any time.

WOODS® SKID STEER ATTACHMENTS

TOOTHBARS

CETB-Series Standard-Duty Toothbars

FEATURES:

- Toothbar for farm and small loaders and most skid loaders
- Includes fasteners to attach to any skid loader bucket without a bolt-on edge installed
- 1/2- x 4-inch high strength steel
- Shanks are high strength steel



Ag & Turf Discounts Apply

Model/Part No.	Inside Bucket Width (in.)	No. of Teeth	Shipping Wt. (lbs.)	Suggested List Price
CETB400	40 to 40-3/8	5	49	\$ 447.00
CETB460	46 to 46-3/8	5	54	447.00
CETB465	46-1/2 to 46-7/8	6	58	447.00
CETB475	47-1/2 to 47-7/8	6	59	447.00
CETB480	48 to 48-3/8	6	59	447.00
CETB485	48-1/2 to 48-7/8	6	59	447.00
CETB490	49 to 49-3/8	6	60	447.00
CETB495	49-1/2 to 49-7/8	6	49	447.00
CETB500	50 to 50-3/8	6	49	447.00
CETB520	52 to 52-3/8	6	57	447.00
CETB525	52-1/2 to 52-7/8	6	61	447.00
CETB530	53 to 53-3/8	6	50	447.00
CETB535	53-1/2 to 53-7/8	6	61	447.00
CETB540	54 to 54-3/8	6	62	447.00
CETB565	56-1/2 to 56-7/8	7	52	479.00
CETB570	57 to 57-3/8	7	TBD	479.00
CETB575	57-1/2 to 57-7/8	7	52	479.00
CETB580	58 to 58-3/8	7	68	479.00
CETB585	58-1/2 to 58-7/8	7	68	479.00
CETB590	59 to 59-3/8	7	69	479.00
CETB595	59-1/2 to 59-7/8	7	69	479.00
CETB600	60 to 60-3/8	7	69	479.00
CETB605	60-1/2 to 60-7/8	7	59	479.00
CETB610	61 to 61-3/8	7	59	479.00
CETB620	62 to 62-3/8	7	TBD	479.00
CETB625	62-1/2 to 62-7/8	7	60	479.00
CETB630	63 to 63-3/8	7	TBD	479.00
CETB635	63-1/2 to 63-7/8	7	71	479.00
CETB640	64 to 64-3/8	7	72	479.00
CETB645	64-1/2 to 64-7/8	7	72	479.00

NOTE: For 1000 Series loader buckets, order 1" less than size of bucket for toothbar.

Prices and specifications subject to change without notice.
 Prices effective January 1, 2021. Supersedes all previous pricing.
 Woods reserves the right to limit quantities and apply surcharges at any time.

WOODS® SKID STEER ATTACHMENTS

TOOTHBARS (Continued)

CETB-Series Standard-Duty Toothbars

Ag & Turf Discounts Apply

Model/Part No.	Inside Bucket Width (in.)	No. of Teeth	Shipping Wt. (lbs.)	Suggested List Price
CETB650	65 to 65-3/8	8	76	\$ 511.00
CETB655	65-1/2 to 65-7/8	8	77	511.00
CETB660	66 to 66-3/8	8	76	511.00
CETB665	66-1/2 to 66-7/8	8	67	511.00
CETB675	67-1/2 to 67-7/8	8	68	511.00
CETB680	68 to 68-3/8	8	68	511.00
CETB690 *	69 to 69-3/8	8	69	511.00
CETB695 *	69-1/2 to 69-7/8	8	70	511.00
CETB700 *	70 to 70-3/8	8	70	511.00
CETB705 *	70-1/2 to 70-7/8	8	71	511.00
CETB710 *	71 to 71-3/8	8	71	511.00
CETB715 *	71-1/2 to 71-7/8	8	72	511.00
CETB720 *	72 to 72-3/8	8	72	511.00
CETB725 *	72-1/2 to 72-7/8	8	73	511.00
CETB730 *	73 to 73-3/8	8	73	511.00
CETB735 *	73-1/2 to 73-7/8	8	74	511.00
CETB740 *	74 to 74-3/8	8	74	511.00
CETB745 *	74-1/2 to 74-7/8	8	75	511.00
CETB750 *	75 to 75-3/8	8	75	511.00
CETB755 *	75-1/2 to 75-7/8	8	75	511.00
CETB760 *	76 to 76-3/8	9	76	549.00
CETB765 *	76-1/2 to 76-7/8	9	77	549.00
CETB770 *	77 to 77-3/8	9	77	549.00
CETB775 *	77-1/2 to 77-7/8	9	78	549.00
CETB780 *	78 to 78-3/8	9	78	549.00
CETB785 *	78-1/2 to 78-7/8	9	79	549.00
CETB790 *	79 to 79-3/8	9	79	549.00
CETB795 *	79-1/2 to 79-7/8	9	80	549.00
CETB800 *	80 to 80-3/8	9	80	549.00
CETB805 *	80-1/2 to 80-7/8	9	81	549.00
CETB810 *	81 to 81-3/8	9	81	549.00
CETB815 *	81-1/2 to 81-7/8	9	82	549.00
CETB820 *	82 to 82-3/8	9	82	549.00
CETB825 *	82-1/2 to 82-7/8	9	83	549.00
CETB830 *	83 to 83-3/8	9	83	549.00
CETB835 *	83-1/2 to 83-7/8	9	84	549.00
CETB840 *	84 to 84-3/8	9	84	549.00
CETB845 *	84-1/2 to 84-7/8	9	85	549.00

Dealer responsible for freight charges on all Toothbars whether FedEx or LTL from Sioux Falls.

* Due to size requirements, common carrier will be used for shipment.

Prices and specifications subject to change without notice.
 Prices effective January 1, 2021. Supersedes all previous pricing.
 Woods reserves the right to limit quantities and apply surcharges at any time.

TABLE OF CONTENTS

Alitec™ Skid Steer Attachments	CO2 – CO8
Buckets – Construction	CO2 – CO3
Buckets – Compact Articulated Loader	CO4
Buckets – High Capacity, Light Material	CO5
Buckets – Root Grapples	CO6
Buckets – Scrap Grapples	CO7
Tillers	CO8
Gannon® Universal Industrial Scrapers	CO9 – CO10
4x4	CO9
4x2	CO9
Mover XL™	CO10
Pin Kit & Hose Kits	CO10

PRICING DOES NOT INCLUDE
CURRENT SURCHARGE AMOUNT

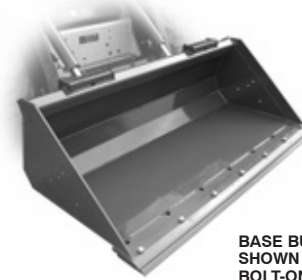
ALITEC™ SKID STEER ATTACHMENTS

BUCKETS

LPSB-Series Low Profile, Short Bottom Construction Buckets

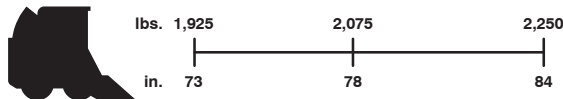
FEATURES:

- Skid Steer (ISO 24410) Quick Attach System
- Heavy-duty construction
- No internal gussets or obstructions
- Square back for reverse grading
- Pre-drilled front cutting edge to accept bolt-on reversible cutting edge (sold separately)
- Short bottom design to provide higher breakout force
- Optional standard-duty toothbars available (see Woods® Skid Steer Attachments section, pages SS3 – SS4)
- Alitec™ Gray color



BASE BUCKET SHOWN WITH OPTIONAL BOLT-ON CUTTING EDGE

RECOMMENDED MINIMUM SKID STEER SAE LOAD RATING



Construction Discounts Apply

Bucket Profile	Model No.	Part No.	Width (in.)	SAE Struck Cap. (cu. ft.)	SAE Heaped Cap. (cu. ft.)	Shipping Wt. (lbs.)	Suggested List Price
	LPSB73	101444073	73	10.9	14.6	510	\$ 1,276.00
	LPSB78	101444078	78	11.7	15.7	540	1,391.00
	LPSB84	101444084	84	12.6	16.9	561	1,456.00

ACCESSORIES

Part No.	Description	Shipping Wt. (lbs.)	Suggested List Price
1014177K	73" Bolt-on Cutting Edge Kit	73	\$ 263.00
1014178K	78" Bolt-on Cutting Edge Kit	78	283.00
1014179K	84" Bolt-on Cutting Edge Kit	84	321.00

NOTE: All hardware needed to attach accessories to base bucket is supplied in kit.

WARNING: Attachment selection and application must not exceed skid steer model rated operating loads or other specific requirements. All Operator's Manual and mounting instructions must be followed.

Prices and specifications subject to change without notice.
 Prices effective January 1, 2021. Supersedes all previous pricing.
 Woods reserves the right to limit quantities and apply surcharges at any time.

ALITEC™ SKID STEER ATTACHMENTS

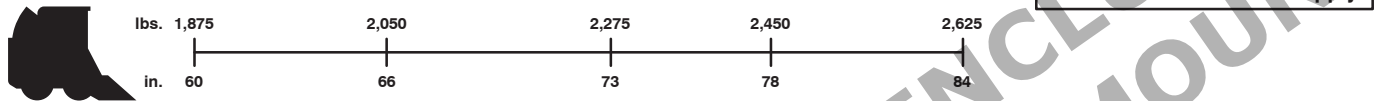
BUCKETS (Continued)

LPLB-Series Low Profile, Long Bottom Construction Buckets

FEATURES:

- Skid Steer (ISO 24410) Quick Attach System
- Heavy-duty construction
- No internal gussets or obstructions
- Square back for reverse grading
- Pre-drilled front cutting edge to accept bolt-on reversible cutting edge (sold separately)
- Long bottom design for improved front edge visibility
- Optional standard-duty toothbars available (see Woods® Skid Steer Attachments section, pages SS3 – SS4)
- Alitec™ Gray color

RECOMMENDED MINIMUM SKID STEER SAE LOAD RATING



Bucket Profile	Model No.	Part No.	Width (in.)	SAE Struck Cap. (cu. ft.)	SAE Heaped Cap. (cu. ft.)	Shipping Wt. (lbs.)	Suggested List Price
	LPLB60	101491560	60	10.5	14.4	466	\$ 1,365.00
	LPLB66	101491566	66	11.6	15.9	500	1,450.00
	LPLB73	101491573	73	12.8	17.7	534	1,489.00
	LPLB78	101491578	78	13.7	19.0	591	1,744.00
	LPLB84	101491584	84	14.8	20.5	606	1,877.00

ACCESSORIES

Part No.	Description	Shipping Wt. (lbs.)	Suggested List Price
1014175K	60" Bolt-on Cutting Edge Kit	60	\$ 237.00
1014176K	66" Bolt-on Cutting Edge Kit	66	243.00
1014177K	73" Bolt-on Cutting Edge Kit	73	263.00
1014178K	78" Bolt-on Cutting Edge Kit	78	283.00
1014179K	84" Bolt-on Cutting Edge Kit	84	321.00

NOTE: All hardware needed to attach accessories to base bucket is supplied in kit.

WARNING: Attachment selection and application must not exceed skid steer model rated operating loads or other specific requirements. All Operator's Manual and mounting instructions must be followed.

Prices and specifications subject to change without notice.
 Prices effective January 1, 2021. Supersedes all previous pricing.
 Woods reserves the right to limit quantities and apply surcharges at any time.

ALITEC™ SKID STEER ATTACHMENTS

BUCKETS (Continued)

SW-Series Compact Articulated Loader Buckets

FEATURES:

- Skid Steer (ISO 24410) Quick Attach System
- Heavy-duty construction
- No internal gussets or obstructions
- Square back for reverse grading
- Pre-drilled front cutting edge to accept bolt-on reversible cutting edge (sold separately)
- For general purpose applications
- Alitec™ Gray color

RECOMMENDED MINIMUM SKID STEER SAE LOAD RATING



Construction Discounts Apply

Bucket Profile	Model No.	Part No.	Width (in.)	SAE Struck Cap. (cu. ft.)	SAE Heaped Cap. (cu. ft.)	Shipping Wt. (lbs.)	Suggested List Price
	SW84	102226084	84	20.9	25.8	672	\$ 2,193.00

ACCESSORIES

Part No.	Description	Shipping Wt. (lbs.)	Suggested List Price
1014179K	84" Bolt-on Cutting Edge Kit	84	\$ 321.00

NOTE: All hardware needed to attach accessories to base bucket is supplied in kit.

WARNING: Attachment selection and application must not exceed skid steer model rated operating loads or other specific requirements. All Operator's Manual and mounting instructions must be followed.

Prices and specifications subject to change without notice.
 Prices effective January 1, 2021. Supersedes all previous pricing.
 Woods reserves the right to limit quantities and apply surcharges at any time.

ALITEC™ SKID STEER ATTACHMENTS

BUCKETS (Continued)

HC-Series High Capacity, Light Material Buckets

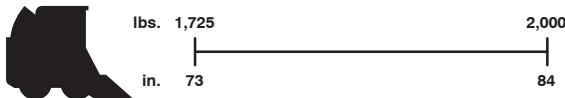
FEATURES:

- Skid Steer (ISO 24410) Quick Attach System
- Heavy-duty construction
- No internal gussets or obstructions
- Square back for reverse grading
- Pre-drilled front cutting edge to accept bolt-on reversible cutting edge (sold separately)
- Ultra high capacity for light material handling
- Alitec™ Gray color



BASE BUCKET SHOWN WITH OPTIONAL BOLT-ON CUTTING EDGE

RECOMMENDED MINIMUM SKID STEER SAE LOAD RATING



Construction Discounts Apply

Bucket Profile	Model No.	Part No.	Width (in.)	SAE Struck Cap. (cu. ft.)	SAE Heaped Cap. (cu. ft.)	Shipping Wt. (lbs.)	Suggested List Price
	HC73	102400173	73	27.9	35.6	690	\$ 2,058.00
	HC84	102400184	84	32.1	41.3	798	2,327.00

ACCESSORIES

Part No.	Description	Shipping Wt. (lbs.)	Suggested List Price
1014177K	73" Bolt-on Cutting Edge Kit	73	\$ 263.00
1014179K	84" Bolt-on Cutting Edge Kit	84	321.00

NOTE: All hardware needed to attach accessories to base bucket is supplied in kit.

WARNING: Attachment selection and application must not exceed skid steer model rated operating loads or other specific requirements. All Operator's Manual and mounting instructions must be followed.

Prices and specifications subject to change without notice.
 Prices effective January 1, 2021. Supersedes all previous pricing.
 Woods reserves the right to limit quantities and apply surcharges at any time.

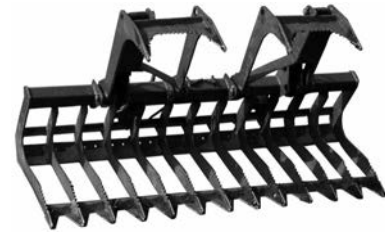
ALITEC™ SKID STEER ATTACHMENTS

BUCKETS (Continued)

Heavy-Duty, Low-Profile Root Grapples

FEATURES:

- Skid Steer (ISO 24410) Quick Attach System
- Made with grade 80 steel – 2x stronger than mild steel – reducing the weight but maintaining the strength required for any skid steer or tractor application
- Woods® proprietary serrated cutting edge holds fast to trees and debris
- Unique design allows smooth grading of surfaces after removing debris
- Twin hydraulic cylinders allow for independent clamping on uneven material while cylinder placement improves visibility
- Cylinder stroke control standard for long cylinder life
- Cylinder guards standard, protecting rods and hoses for longer life
- Greasable Pivots
- Hydraulic hoses and QD couplers (per ISO 16028) included
- SAE Rated Operating Capacity: up to 4800 lbs.
- Length: 34"; Height: 27"
- Grapple Opening: 37"; Grapple Width: 19"
- Cylinder Bore: 2.76"; Cylinder Rod: 1.38"
- Pivot Pins: 1.25"
- Clamping Force per Grapple: 3,000 lbs. @ 3,000 psi



Construction Discounts Apply

Model No.	Part No.	Description	Width (in.)	No. of Times x Spacing	Product Wt. (lbs.)	Shipping Wt. (lbs.)	Suggested List Price
HLRG65	103484965	Root Grapple – Skid Steer Quick Attach	65	10 x 6.75"	660	730	\$ 3,961.00
HLRG72	103484972	Root Grapple – Skid Steer Quick Attach	72	11 x 6.75"	680	784	4,196.00
HLRG79	103484979	Root Grapple – Skid Steer Quick Attach	79	12 x 6.75"	700	797	4,552.00
HLRG86	103484986	Root Grapple – Skid Steer Quick Attach	86	13 x 6.75"	720	841	4,907.00

ACCESSORIES

Part No.	Description	Shipping Wt. (lbs.)	Suggested List Price
1038127	Bucket Step Kit	5	▲
1038129	88" Long Hose Kit	4	\$ 83.00

NOTE: Reference the Loader Valve section for 3rd function loader controls or the Miscellaneous Loader Accessories section (page LdrAttach11) for auxiliary valve kits.

WARNING: Attachment selection and application must not exceed skid steer model rated operating loads or other specific requirements. All Operator's Manual and mounting instructions must be followed.

▲ Please refer to the Woods Genuine Parts program and price list for discount and price at <http://dealer.woodsequipment.com>.

Prices and specifications subject to change without notice.
 Prices effective January 1, 2021. Supersedes all previous pricing.
 Woods reserves the right to limit quantities and apply surcharges at any time.

ALITEC™ SKID STEER ATTACHMENTS

BUCKETS (Continued)

Heavy-Duty, Low-Profile Scrap Grapples

FEATURES:

- Skid Steer (ISO 24410) Quick Attach System
- Made with grade 80 steel – 2x stronger than mild steel – reducing the weight but maintaining the strength required for any skid steer or tractor application
- Single, beveled cutting edge with back-up bar
- Twin hydraulic cylinders allow for independent clamping on uneven material while cylinder placement improves visibility
- Cylinder stroke control standard for long cylinder life
- Cylinder guards standard, protecting rods and hoses for longer life
- Optional bolt-on, double beveled edge kits enhance versatility
- Greasable Pivots
- Hydraulic hoses and QD couplers (per ISO 16028) included
- SAE Rated Operating Capacity: up to 4800 lbs.
- Length: 35"; Height: 27"
- Grapple Opening: 39"; Grapple Width: 19"
- Cylinder Bore: 2.76"; Cylinder Rod: 1.38"
- Pivot Pins: 1.25"
- Clamping Force per Grapple: 3,000 lbs. @ 3,000 psi



Construction Discounts Apply

Model No.	Part No.	Description	Width (in.)	Heaped Capacity (cu. ft.)	Product Wt. (lbs.)	Shipping Wt. (lbs.)	Suggested List Price
HLSG66	103400066	Scrap Grapple – Skid Steer Quick Attach	66	15.1	773	867	\$ 3,881.00
HLSG73	103400073	Scrap Grapple – Skid Steer Quick Attach	73	16.9	823	896	4,121.00
HLSG78	103400078	Scrap Grapple – Skid Steer Quick Attach	78	18.1	873	923	4,434.00
HLSG84	103400084	Scrap Grapple – Skid Steer Quick Attach	84	19.5	923	941	4,789.00

ACCESSORIES

Part No.	Description	Shipping Wt. (lbs.)	Suggested List Price
1014176K	66" Bolt-on Cutting Edge Kit	66	\$ 243.00
1014177K	73" Bolt-on Cutting Edge Kit	73	263.00
1014178K	78" Bolt-on Cutting Edge Kit	78	283.00
1014179K	84" Bolt-on Cutting Edge Kit	84	321.00
1038127	Bucket Step Kit	5	▲
1038129	88" Long Hose Kit	4	83.00

NOTE: Reference the Loader Valve section for 3rd function loader controls or the Miscellaneous Loader Accessories section (page LdrAttach11) for auxiliary valve kits.

WARNING: Attachment selection and application must not exceed skid steer model rated operating loads or other specific requirements. All Operator's Manual and mounting instructions must be followed.

▲ Please refer to the Woods Genuine Parts program and price list for discount and price at <http://dealer.woodsequipment.com>.

Prices and specifications subject to change without notice.
 Prices effective January 1, 2021. Supersedes all previous pricing.
 Woods reserves the right to limit quantities and apply surcharges at any time.

ALITEC™ SKID STEER ATTACHMENTS

TILLERS

TL-Series Tillers

FEATURES:

Skid Steer (ISO 24410) Quick Attach System
 Standard-flow and high-flow models
 Adjustable to 6-inch depth
 Dual drive motor
 Hydraulic hoses and QD couplers included
 Recessed drive motors
 Welded to American Welding Society standards
 Shipped fully assembled

APPLICATIONS:

Mix soils for improved seed beds,
 soil stabilization
 Till construction sites
 Till prior to landscaping



Construction Discounts Apply

BASE UNIT

Product Code	Description	Min. Flow (gpm) / Pressure (psi)	Cutting Width (in.)	No. of Tines	Shipping Wt. (lbs.)	Suggested List Price
TL52AALITEC	Tiller	12 – 40 / 1800 – 3000	52	24	857	\$ 6,863.00
TL73AALITEC	Tiller	18 – 40 / 2000 – 3000	73	36	961	7,487.00
TL84AALITEC	Tiller	24 – 60 / 3000 – 4000	84	40	1108	9,045.00

SERVICE PARTS

101533	Replacement Tine (price each)				2	▲
--------	-------------------------------	--	--	--	---	---

NOTES:

- Specify make, model, flow and pressure of skid steer when ordering.

▲ Please refer to the Woods Genuine Parts program and price list for discount and price at <http://dealer.woodsequipment.com>.

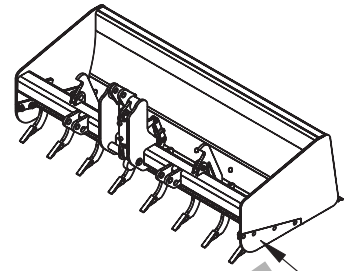
Prices and specifications subject to change without notice.
 Prices effective January 1, 2021. Supersedes all previous pricing.
 Woods reserves the right to limit quantities and apply surcharges at any time.

GANNON® UNIVERSAL INDUSTRIAL SCRAPERS

Heavy-Duty Hydraulic Scarifiers – 4x4 and 4x2

FEATURES:

- | | |
|---|--|
| Hydraulic operating scarifier bar | Maxi-load moldboard front & rear, more load – less drag |
| Category 2 hitch | Adjustable scarifier shanks for chipping or deep scarifying |
| Full back moldboard for strength (4x4) | Replaceable, heat-treated scarifier teeth |
| Hinged, adjustable tailgate for fine or heavy grading (4x2) | “High Riser” scarifier bar keeps teeth clear of debris and permits clear view of cutting edges |
| High back and low back models (4x2) | Double-beveled, reversible, interchangeable cutting edges |
| Large capacity box, no gussets or obstructions | |



Bolt-On Replaceable Wear Bit (HSD models), Part # KIT32 ▲

Gannon Box Scraper Discounts Apply.

4x4 HXD Universal Hydraulic Scraper – 2 & 4 Wheel Drive for 40 to 100 hp Tractors

Part No. *	Normal Width (in.)	Shipping Wt. (lbs.)	Number Shanks	Hitch Category ^{1,3}	Standard Reversible Edge	Suggested List Price ²
HD24480HXD	80	1478	8	Cat. 2	1/2 x 6	\$ 4,076.00
HD24484HXD	84	1526	8	Cat. 2	1/2 x 6	4,124.00
HD24488HXD	88	1588	8	Cat. 2	1/2 x 6	4,263.00
HD24492HXD	92	1630	8	Cat. 2	1/2 x 6	4,471.00
HD24496HXD	96	1735	8	Cat. 2	1/2 x 6	4,632.00

4x4 HSD Universal Hydraulic Scraper (with Replaceable End Plate Wear Bits) – 2 & 4 Wheel Drive for 40 to 90 hp Tractors

Part No. *	Normal Width (in.)	Shipping Wt. (lbs.)	Number Shanks	Hitch Category ^{1,3}	Standard Reversible Edge	Suggested List Price ²
HD24472HSD	72	1225	8	Cat. 2	1/2 x 6	\$ 4,028.00
HD24476HSD	76	1279	8	Cat. 2	1/2 x 6	4,059.00
HD24480HSD	80	1334	8	Cat. 2	1/2 x 6	4,142.00
HD24484HSD	84	1321	8	Cat. 2	1/2 x 6	4,239.00
HD24488HSD	88	1427	8	Cat. 2	1/2 x 6	4,388.00
HD24492HSD	92	1462	8	Cat. 2	1/2 x 6	4,584.00
HD24496HSD	96	1551	8	Cat. 2	1/2 x 6	4,746.00

4x2 Universal Hydraulic Scraper – 2 Wheel Drive for 40 to 80 hp Tractors

Part No. *	Description	Normal Width (in.)	Shipping Wt. (lbs.)	Number Shanks	Hitch Category ¹	Standard Reversible Edge	Suggested List Price ²
HD24265LB	Low Back	65	965	6	Cat. 1 & 2	1/2 x 6	\$ 3,128.00
HD24265HB	High Back	65	1060	6	Cat. 1 & 2	1/2 x 6	3,313.00
HD24272LB	Low Back	72	1042	8	Cat. 1 & 2	1/2 x 6	3,331.00
HD24272HB	High Back	72	1140	8	Cat. 1 & 2	1/2 x 6	3,518.00
HD24276LB	Low Back	76	1080	8	Cat. 1 & 2	1/2 x 6	3,481.00
HD24276HB	High Back	76	1180	8	Cat. 1 & 2	1/2 x 6	3,669.00
HD24280LB	Low Back	80	1079	8	Cat. 1 & 2	1/2 x 6	3,676.00
HD24280HB	High Back	80	1173	8	Cat. 1 & 2	1/2 x 6	3,780.00
HD24284HB	High Back	84	1214	8	Cat. 1 & 2	1/2 x 6	3,913.00

¹ Pin kit required to connect scraper to tractor 3-point hitch. See accessories.

² Price does not include pin kit, hose kit or operating valve.

³ Category 1 available by request.

* See page CO10 for Pin Kits and Hose Kits.

* Please specify color suffix when ordering. Available colors: Black (BLK), Case® Gray (CGR), Case Tan (CTA), John Deere® Yellow (JDY), Kubota® Orange (KO2).

▲ Please refer to the Woods Genuine Parts program and price list for discount and price at <http://dealer.woodsequipment.com>.

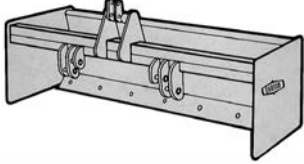
Prices and specifications subject to change without notice.
 Prices effective January 1, 2021. Supersedes all previous pricing.
 Woods reserves the right to limit quantities and apply surcharges at any time.

GANNON® UNIVERSAL INDUSTRIAL SCRAPERS

Mover XL™

Gannon Box Scraper Discounts Apply.

Mover XL – High Capacity – 2 & 4 Wheel Drive for 50 to 90 hp Tractors

	Part No. *	Width (in.)	Universal ASABE Hitch Category	No. Shanks	Shipping Wt. (lbs.)	Standard Reversible Edge	Suggested List Price
	MDMV84	84	1 & 2	0	689	1/2 x 6	\$ 1,711.00
	MDMV84WG	84	1 & 2	0	824	1/2 x 6	1,890.00
	MDMV88	88	1 & 2	0	723	1/2 x 6	1,829.00
	MDMV88WG	88	1 & 2	0	867	1/2 x 6	2,118.00
	MDMV92	92	1 & 2	0	758	1/2 x 6	1,905.00
	MDMV92WG	92	1 & 2	0	909	1/2 x 6	2,247.00
	MDMV96	96	1 & 2	0	795	1/2 x 6	1,951.00
	MDMV96WG	96	1 & 2	0	954	1/2 x 6	2,219.00

Note: WG models include a hinged tailgate.

* See below for Pin Kits and Hose Kits.

* Please specify color suffix when ordering.
Available colors: Black (BLK), Case® Gray (CGR), Case Tan (CTA), New Holland® Gray (FNG), John Deere® Yellow (JDY), Kubota® Orange (KO2).

GANNON UNIVERSAL INDUSTRIAL SCRAPERS

Pin Kits & Hose Kits

Gannon Box Scraper Discounts Apply.

Pin Kits

Part No.	ASABE Hitch Category	Shipping Wt. (lbs.)	Suggested List Price
H901	2	6	\$ 73.00

Hose Kits

Part No.	Tractor Model	Shipping Wt. (lbs.)	Suggested List Price
KIT14	John Deere 5200, 5300, 5400	0	\$ 56.00
KIT17	Case 570LXT	0	90.00
KIT26	John Deere 110	2	106.00
KIT28	Case 570MXT	0	56.00

Prices and specifications subject to change without notice.
Prices effective January 1, 2021. Supersedes all previous pricing.
Woods reserves the right to limit quantities and apply surcharges at any time.

TABLE OF CONTENTS

Woods® Truck Pricing Program	MISC2 – MISC4
Zone Rate Charges	MISC2
Zone Locations	MISC3 – MISC4
Warranty Policy and Labor Guide	MISC5 – MISC36
Table of Contents	MISC5
Introduction	MISC6 – MISC10
Addendum I – Woods Agriculture and Turf	MISC11 – MISC21
Addendum II – Woods Construction Equipment (CE)	MISC23 – MISC31
Addendum III – Woods Genuine Parts	MISC33 – MISC36

WOODS TRUCK PRICING PROGRAM

Zone Rate Charges

Oregon, IL – Rates are CWT (Per hundred weight)

ZONE	CLASS			
	A (over 10,000 lbs)	B (5,001 – 10,000 lbs)	C (1,501 – 5,000 lbs)	D (0 – 1,500 lbs)
1	\$ 8.35	\$ 9.07	\$ 9.66	\$ 23.42
2	12.42	13.33	13.72	25.82
3	15.84	16.80	17.61	28.63
4	17.46	19.45	20.10	31.19
5	18.24	22.17	22.89	34.21
6	22.18	24.68	25.93	38.08
9	23.17	25.94	27.08	39.72

NOTES:

1. If calculated freight is less than \$100.00, minimum charge of \$100.00 will apply to all zones.
2. See page MISC3, Figure 1 for zone locations.

Shredder Rates are CWT (Per hundred weight)

ZONE	CLASS
	Category 1
1	\$ 6.25
2	9.50
3	10.75
4	11.50
5	12.25
6	14.75
7	15.75

Category 1: Knocked Down shredders and accessories.

NOTES:

1. Rates apply to complete load shipments only.
2. Partial loads billed in conjunction with incurred costs.
3. If calculated freight is less than \$100.00, minimum charge of \$100.00 will apply to all zones.
4. See page MISC4, Figure 2 for zone location.

Prices and specifications subject to change without notice.
 Prices effective January 1, 2021. Supersedes all previous pricing.
 Woods reserves the right to limit quantities and apply surcharges at any time.

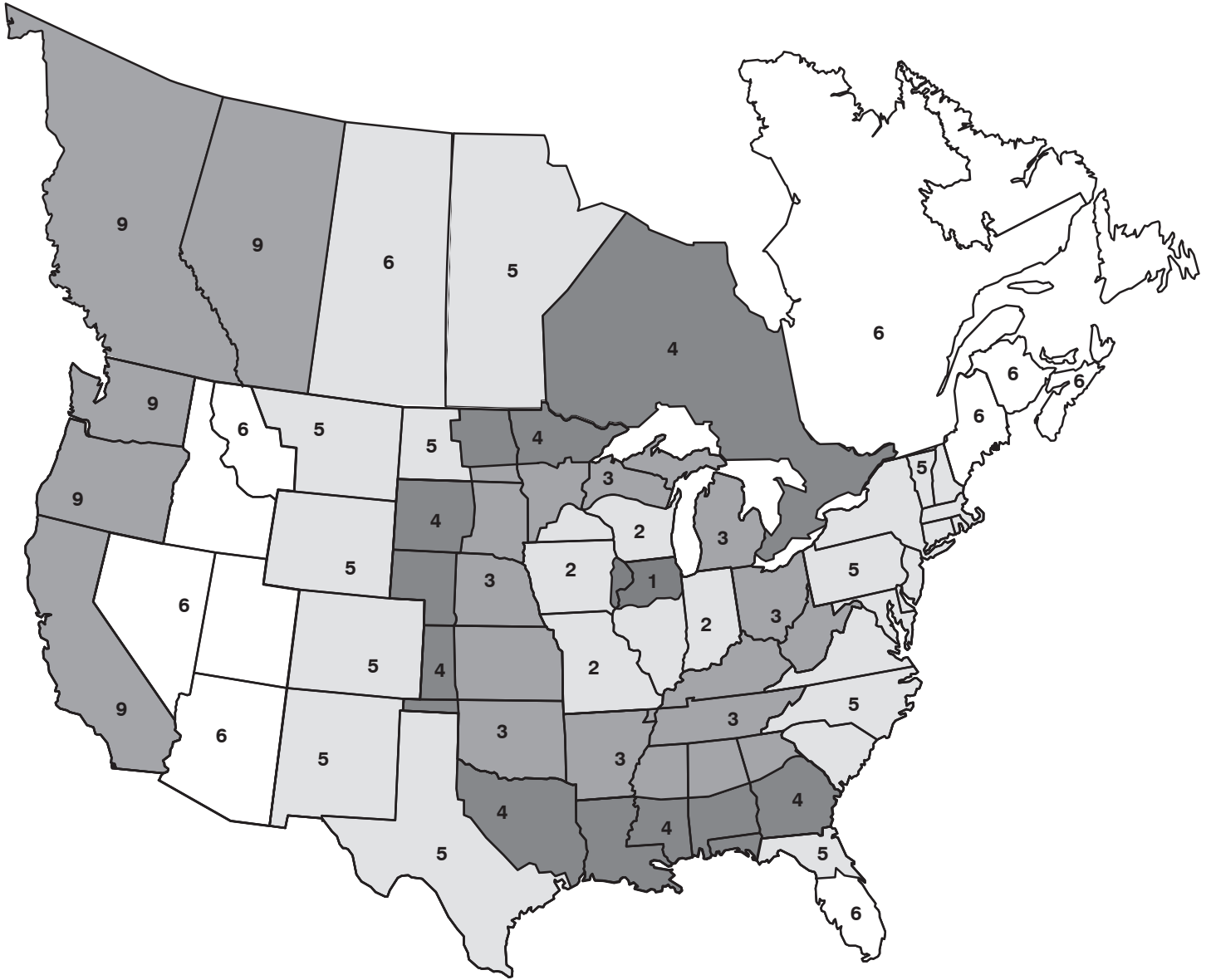
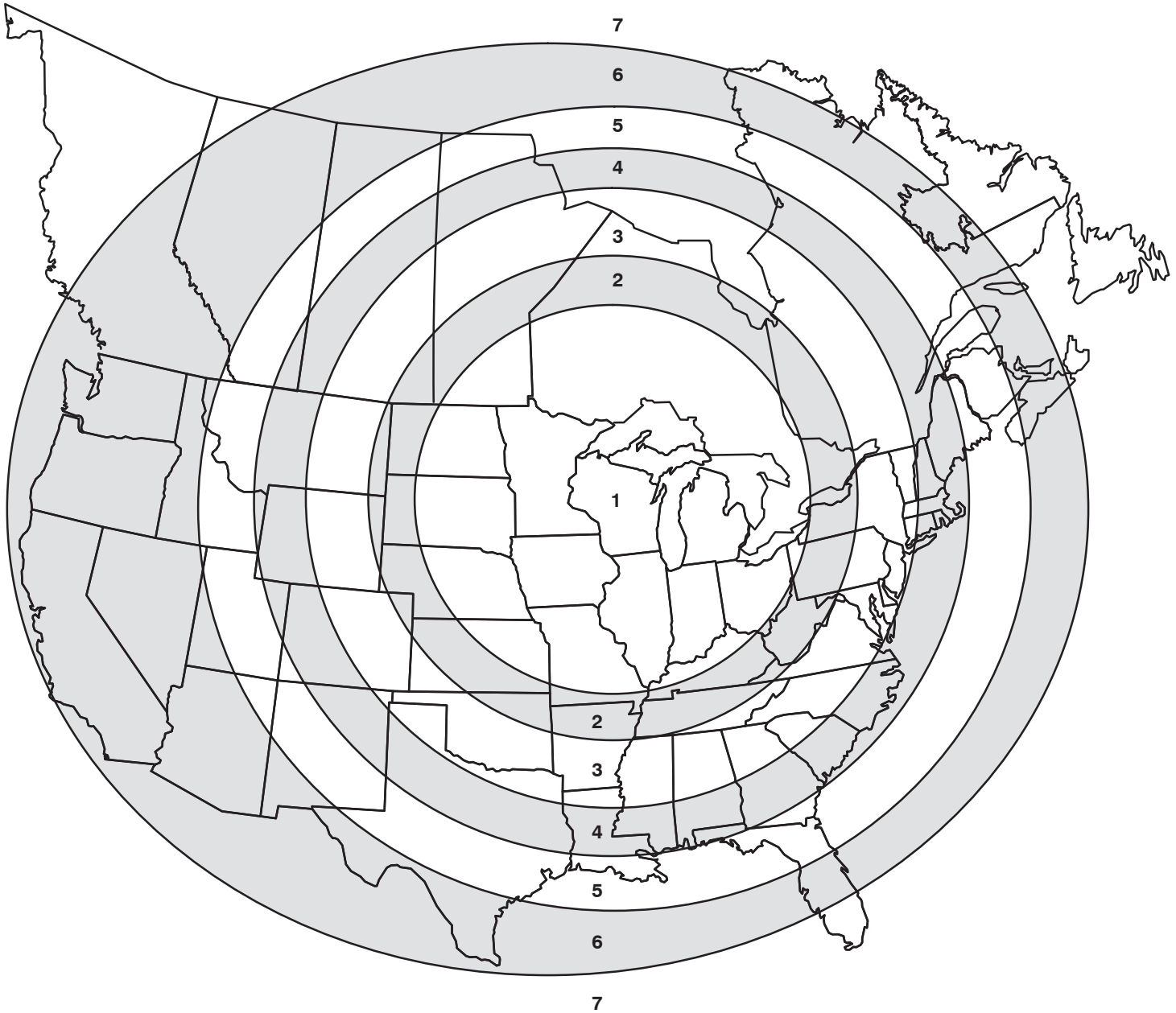


FIGURE 1 – OREGON, IL

Prices and specifications subject to change without notice.
Prices effective January 1, 2021. Supersedes all previous pricing.
Woods reserves the right to limit quantities and apply surcharges at any time.



**FIGURE 2 – SHREDDER RATES ARE CWT
(Per Hundred Weight)**

Prices and specifications subject to change without notice.
Prices effective January 1, 2021. Supersedes all previous pricing.
Woods reserves the right to limit quantities and apply surcharges at any time.

Table of Contents

INTRODUCTION	MISC6 – MISC10
Foreword	MISC6
The Purpose of a Warranty	MISC7
Dealer Responsibilities	MISC7
Woods Equipment Company® Responsibilities (See Addenda)	MISC7
Other Warranty Provisions (See Addenda)	MISC7
Service Bulletins	MISC7
Procedures for Completion of Online Warranty Claim Form	MISC8
Use of Photos	MISC8
Delayed Warranty Repair	MISC8
Denied Claim	MISC8
State Law	MISC8
Example 1 – Woods Equipment Co. Online Warranty Claim Form	MISC9
Example 2 – Woods Equipment Co. Warranty Submission Addresses	MISC10
ADDENDA	MISC11 – MISC36
Addendum I – Woods Agriculture and Turf	MISC11 – MISC21
Responsibilities and Other Warranty Provisions	MISC12 – MISC13
Flat Rate Schedule	MISC14 – MISC19
Examples 3 & 4 – Warranty Statement Forms	MISC20 – MISC21
Addendum II – Woods Construction Equipment (CE)	MISC23 – MISC31
Introduction	MISC24 – MISC28
Examples 5 & 6 – CE Warranty Statement & Online Warranty Claim Forms	MISC29 – MISC30
Procedures for Completion of CE Online Warranty Claim Form	MISC31
Addendum III – Woods Genuine Parts	MISC33 – MISC36
Responsibilities and Other Warranty Provisions	MISC34
Flat Rate Schedule	Refer to Pages MISC14 – MISC19
Examples 7 & 8 – Warranty Statement Forms	MISC35 – MISC36

FOREWORD

The fundamental responsibility of warranty is to reimburse the Woods® dealer for expenses the dealer may have generated in correcting defects in workmanship or material that are deemed to be the responsibility of Woods Equipment Company.

This manual was developed to assist the dealer in creating customer loyalty through customer satisfaction. The purpose of this manual is to explain to Woods dealers the responsibilities of the dealer, the customer and Woods Equipment Company in ensuring complete customer satisfaction. Woods Equipment Company and its dealers must cooperate in building strong customer relations by consistently providing equitable, careful, and courteous attention to every equipment owner who visits the dealership during the warranty period. Adequately serving customer needs strengthens the reputation of both Woods Equipment Company and its authorized dealers. Keep in mind that every customer carries their satisfaction (or lack of it) back to friends, neighbors, and business associates.

This manual is designed to aid dealers in addressing customer requests in a prompt and consistent manner. Authorized dealers may replace or repair any part found to be defective in workmanship or material within the time and hour limits outlined in this manual without obtaining prior approval from the Warranty Department of Woods Equipment Company.

Our Warranty Department welcomes any phone or mail inquiries and is prepared to render a prompt and fair decision on all warranty matters.

With a working knowledge of the procedures outlined in this manual, and the technical ability to determine the reason for repairs or replacements, warranty claims can be handled efficiently, courteously, and promptly.

WOODS EQUIPMENT COMPANY

THE PURPOSE OF A WARRANTY

Warranty assures the purchaser that should a defect in material or workmanship occur during the warranty period, Woods Equipment Company® will assume specific repair responsibilities, as listed in the warranty statement. The statement is also printed on the back cover of the operator's manual supplied with each new product. The warranty begins on the date the product is delivered to the original owner. Once the warranty has started, it cannot be stopped or interrupted.

DEALER RESPONSIBILITIES

The following responsibilities are to be performed when the dealer delivers a product to the purchaser or otherwise places it into warranty service:

1. Complete product registration online at dealer.woodsequipment.com if applicable. Warranty reimbursement is contingent on product registration.
2. Review warranty statement (and Operator's Manual if applicable) with purchaser to assure understanding of purchaser's responsibilities as related to warranty and service, along with the safe and correct operating procedures of the equipment. Purchaser should be instructed to have failed parts, repaired or replaced when their continued use would cause damage or excessive wear.
3. Provide warranty service requested by purchaser and **SUBMIT WARRANTY CLAIM FORMS TO WOODS EQUIPMENT COMPANY WITHIN 15 WORKING DAYS FROM THE DATE LABOR IS COMPLETED.** Warranty claims can be submitted to Woods when defects in material or workmanship are found while the products are still in dealer inventory.
4. Provide warranty and service repairs as directed by Woods Equipment Company Service Bulletins.
5. **All warranty work must be completed within 30 days from when the customer notifies the dealer of the problem.** If there is a problem with completing work in this time frame, you must contact the Woods Product Service Manager for an extension. **No claims will be accepted on machines that exceed this 30-day period.**

WOODS EQUIPMENT COMPANY RESPONSIBILITIES

See Addendum I, Page MISC11

OTHER WARRANTY PROVISIONS

See Addendum II, Page MISC23 and Addendum III, Page MISC33

SERVICE BULLETINS

Service Bulletins will be issued when necessary to alert dealers of special repairs. Each bulletin will give detailed directions and procedures to complete the services. The dealer is obligated to comply with all service bulletins.

Introduction (Continued)**PROCEDURES FOR COMPLETION OF ONLINE WARRANTY CLAIM FORM**

(Example 1, Page MISC9)

1. Sign on to the Woods Dealer Website at dealer.woodsequipment.com.
2. Click on the “**Product Registrations & Warranty**” button.
3. Click on “**Download User’s Manual**” to download a PDF of the User’s Manual.

If you do not have access to the Internet, please contact Woods Equipment Company at 1-800-319-6637 for assistance.

USE OF PHOTOS

Pictures should be attached to the dealer’s claim when their inclusion will help identify the condition of the part being repaired or replaced, thus assisting in approval of the claim. In many cases, the use of photos may eliminate the need to return the parts for evaluation. Photos will not be returned unless specified.

DELAYED WARRANTY REPAIR

Warranty repairs should be scheduled and performed as soon as they have been brought to the dealer’s attention. It is recognized, however, that in some cases, due to use of products or availability of service replacement parts, the repair cannot always be made as soon as it should. If a repair is scheduled to occur after the warranty has expired; the dealer should send a letter explaining the circumstances to the Woods® Service Manager prior to expiration of the warranty. Included in this letter should be the purchaser’s name, serial number of the product, purchase date, nature of failure, and approximate date when repair will be made. These claims will then be processed as if the product is still within the warranty period.

DENIED CLAIM

Once a claim has been denied for warranty, the dealer will receive a credit memo stating the reason for denial. The dealer has the right to appeal this denial and must do so within 30 days. If there has been no appeal within 30 days then the claim will be considered closed.

STATE LAW

If anything contained in this policy statement is inconsistent with state law, then state law applies rather than such provision, but the remainder of the policy statement still applies.

WARRANTY POLICY AND LABOR GUIDE – Effective January 1, 2021

Example 1 – Online Warranty Claim Form

Warranty Claim - (New)

Equipment Information

Serial Number

Model

Tractor Make Mow'n Machine

Tractor Model

Dealer Service Ticket # (optional)

Product Usage History

Hours Used In Field

(Round-up to the nearest Hour)

Life In-Field (since purchase date)

Date of Failure

< October 2011 >

Sun	Mon	Tue	Wed	Thu	Fri	Sat
25	26	27	28	29	30	1
2	3	4	5	6	7	8
9	10	11	12	13	14	15
16	17	18	19	20	21	22
23	24	25	26	27	28	29
30	31	1	2	3	4	5

Customer Information

Company Name

Phone

Street Address

Description of Failure

Add Credit Items Woods Part QTY Part #

Add Labor Hours Hours Description of Work

EXAMPLE 1 – ONLINE WARRANTY CLAIM FORM

ADDRESSES FOR WOODS EQUIPMENT COMPANY® WARRANTY SUBMISSION

Warranty claim forms and parts for **Woods®**, **Woods Genuine Parts**, **Gannon®**, **Wain-Roy®**, **Gill®**, **Alitec™**, **Central Fabricators®** and **Alloway®** should be sent to:

Woods Equipment Company
Attn: Returned Goods (for Woods Genuine Parts)
Attn: Warranty Department (for warranty claim forms)
2606 South IL Rt. 2
Oregon, IL 61061

PLEASE ENCLOSE THE WARRANTY CLAIM FORM ALONG WITH THE PARTS WHEN RETURNING TO RETURNED GOODS.

EXAMPLE 2 – WARRANTY SUBMISSION ADDRESSES

WARRANTY POLICY AND LABOR GUIDE – Effective January 1, 2021
Addendum I – Woods® Agriculture and Turf

Responsibilities and Other Warranty Provisions MISC12 – MISC13

Flat Rate Schedule MISC14 – MISC19

Example 3 – Warranty Statement Form MISC20

Example 4 – Limited Warranty Statement Form MISC21

WOODS EQUIPMENT COMPANY RESPONSIBILITIES**1. Parts Credit**

Reimbursement for parts used in warranty repair will be credited only when the parts are purchased from Woods Equipment Company. Parts will be credited at dealer net. Invoice numbers must be supplied for the purchased parts. **NO WARRANTY REIMBURSEMENT WILL BE MADE ON PARTS WHICH ARE PAST DUE.**

2. Warranty Parts Freight

Woods Genuine Parts should be used from dealer parts stock. When parts must be shipped from Woods, freight will be paid by Woods when shipped in the most economical way. Shipment requested by special means will be at dealer's expense (e.g., air, next day air, priority, etc.).

3. Warranty Labor

Reimbursement for labor expense to the dealer is made at dealer shop rate. Repair times will be reviewed by the Woods Service Manager and may be adjusted according to average repair time requirements. Labor is not paid on service parts warranty. No driving time or service call charges will be allowed.

4. Outside Expenses

Reimbursement for materials or services are made to the dealer by payment of dealer net price. These expenses must be considered necessary to perform the warranty repair and are not normally expected to be provided by the dealer (e.g., special welding, precision machining, etc.). Outside repair invoice must be attached to the warranty claim.

OTHER WARRANTY PROVISIONS

The following provisions are to be followed when performing warranty repairs:

1. In all cases, the most economical repair should be performed unless otherwise directed. As an example a complete hydraulic or electrical component or gearbox requires service and the combined total of labor and parts equals or exceeds 75% of the total cost of the component then the complete component should be replaced.
2. **WOODS PARTS ARE COVERED UNDER WARRANTY FOR A PERIOD OF 90 DAYS.** A copy of the purchase receipt or invoice must be attached to the claim requesting warranty reimbursement. When large or expensive components such as complete hydraulic or electrical components are sold as service parts the serial number, spec number or date code needs to be documented on the customer invoice. The dealer should then use this document to verify that the component being returned for warranty consideration matches the unit listed on the customer invoice. A copy of that invoice will need to be returned with the part if requested.
3. All parts removed during a repair should be held for 60 days after the warranty claim has been submitted to Woods Equipment Company. These parts can be discarded if disposition or return request hasn't been made during this period. Parts that are returned for warranty and are not issued for credit can be returned to the dealer if Woods receives the return request within 30 days of the warranty denial. **The parts will be discarded after the 30-day period.**

All parts replaced must be held at dealership for sixty (60) days or until notification from Woods Equipment Company.

OTHER WARRANTY PROVISIONS (Continued)

4. Woods Equipment Company reserves the right to reverse any or all warranty credits for parts, labor, or miscellaneous charges when errors are found or warranty policies are not complied with.
5. Warranty reimbursement is not possible:
 - If parts returned for evaluation are not cleaned and tagged, or if they are damaged in return shipment due to poor packaging.
 - When failure falls under the “limitations” as identified in the warranty statements. (See Examples 3 and 4, Pages MISC20 and MISC21).
 - When Woods has requested the return of certain parts, assemblies, or information and has not received requested material within 30 days of date posted on return request.
 - On claims, due to damage or shortage, that are obviously the responsibility of the Woods dealer or the delivering carrier.
 - On the entire claim when warranty policy or provisions are not followed.
6. **Dealer Modifications**

The dealer may not make modifications to products sold by Woods Equipment Company except to the extent necessary to include company authorized accessories or parts. The Limited Express Warranty shall be null and void with respect to any products otherwise modified. All liability for unauthorized modifications to products by the dealer shall be borne by the dealer and the dealer shall defend, indemnify and hold the Company harmless from any claims relating to said modification. All dealers warranty their own work to the purchaser.

WARRANTY POLICY AND LABOR GUIDE – Effective January 1, 2021

Woods® Agriculture and Turf Addendum – Flat Rate Schedule

BACKHOES	DESCRIPTION	MAX. HRS.
Hydraulics	Hose R&R	1.00
	Feedline Replacement	0.40
	Rod R&R	1.50
	Pump R&R	1.50
	Pump Seal R&R	1.00
	Swing Cylinder R&R	0.50
	Swing Cylinder Seal Kit R&R	1.20
	Boom Cylinder R&R	1.00
	Boom Cylinder Seal Kit R&R	1.50
	Boomlock Pin R&R	2.00
	Dipper Cylinder R&R	0.70
	Dipper Cylinder Seal Kit R&R	1.20
	Stabilizer Cylinder R&R	0.50
	Stabilizer Cylinder Seal Kit R&R	1.00
	Bucket Cylinder R&R	0.50
	Bucket Cylinder Seal Kit R&R	1.00
Valves	Valve R&R	3.00
	Valve Seal Kit R&R	4.00
	Valve Detent Kit R&R	0.40
	Valve Spring Center Kit R&R	0.40
	Valve Circuit Relief R&R	0.50
	Valve Relief Cartridge R&R	0.30
	Valve Controls R&R	0.80
Structure	Main Frame R&R	4.00
	Swing Frame R&R	3.00
	Boom Frame R&R	4.00
	Dipper Stick R&R	2.00
	Stabilizer R&R	0.50
	Stabilizer Pads R&R	0.20
Mountings	3 PT Hitch install & adjust	1.00
	Subframe Install	1.50
Bucket	Bucket R&R	0.30
	Tooth R&R	0.30
BATWING®	DESCRIPTION	MAX. HRS.
Crossbar	R&R	1.00
Blades	R&R (Per crossbar)	0.50
Center Gearbox	Gearbox R&R	3.00
	Input Shaft R&R (3180/3240)	3.00
	Output Shaft R&R (3180/3240)	6.00
	Output Shaft Seal R&R (3180/3240)	3.00
	Input Shaft Seal R&R (3180/3240)	2.00
	Input Shaft R&R (BW180/BW1800)	2.00
	Output Shaft R&R (BW180/BW1800)	6.00
	Output Shaft Seal R&R (BW180/1800)	2.00
Splitter Gearbox (BW180/BW1800)	Gearbox R&R	2.50
	Seal Replacement	1.00
	Bearing R&R	2.00
	Shaft R&R	2.00

BATWING (Continued)	DESCRIPTION	MAX. HRS.
Clutch	Friction Disc	1.00
Drive Shaft	U-Joint Repair	1.00
	Carrier Bearings	1.00
Lift Cylinder	R&R	0.50
	Seal Kit	1.50
Wing Gearbox	Gearbox R&R (3180/3240)	3.00
	Input Shaft R&R	3.00
	Output Shaft R&R (3180/3240)	4.00
	Output Shaft Seal R&R	2.00
Wing Gearbox (BW180/BW1800)	Input Shaft Seal R&R	1.00
	Gearbox R&R (BW180)	2.00
	Gearbox R&R (BW1800)	3.00
	Output Shaft R&R	3.00
Stump Jumper	Output Shaft Seal R&R	2.00
	R&R (Each)	1.00
Crossbar	R&R (Each)	1.00
Blades	R&R (Per crossbar)	0.50
Wheel Hub	Bearings R&R	1.50
	Seal R&R	1.00
	Axle R&R	1.50
Wheel Yoke	Center R&R	2.00
	Wing R&R	1.00
Tongue	R&R	1.00
	Attitude Rod	0.50
MULTI-SPINDLE	DESCRIPTION	MAX. HRS.
Crossbar	R&R (Each)	1.00
Spindle (80 or C114)	R&R	3.00
	Seals	4.00
	Shaft	4.00
Blades	R&R (Per crossbar)	0.50
Clutch	Friction Disc	1.00
Drive Shaft	U-Joint Repair	1.00
	Carrier Bearing R&R Assembly	1.00
	Side Drive R&R (1260/1680/DS96/DS120)	2.00
	Drive R&R	1.00
Gearbox (Input)	Gearbox R&R	3.00
	Input Shaft R&R	3.00
	Output Shaft R&R	3.00
	Output Shaft Seal R&R	2.00
	Input Shaft Seal R&R	2.00
	Bearings R&R	3.00
Gearbox (Spindle)	Gearbox R&R	3.00
	Input Shaft R&R	2.00
	Output Shaft R&R	3.00
	Output Shaft Seal R&R	2.00
	Input Shaft Seal R&R	1.00
	Bearings R&R	3.00

WARRANTY POLICY AND LABOR GUIDE – Effective January 1, 2021

Woods® Agriculture and Turf Addendum – Flat Rate Schedule (Continued)

MULTI-SPINDLE (Continued)	DESCRIPTION	MAX. HRS.
Wheel Hub	Bearings R&R	1.50
	Seal R&R	1.00
	Axle R&R	1.00
Wheel Yoke	R&R	2.00
Tongue	R&R	1.00
	Attitude Rod	0.50
Lift Cylinder	R&R	0.50
	Seal Kit	1.50
SINGLE SPINDLE	DESCRIPTION	MAX. HRS.
Crossbar	R&R	1.00
Blades	R&R (Per crossbar)	0.50
Gearbox	Gearbox R&R	2.00
	Input Shaft R&R	2.00
	Output Shaft R&R	3.00
	Output Shaft Seal R&R	2.00
	Input Shaft Seal R&R	1.00
	Bearings R&R	3.00
Wheel Hub	Bearings R&R	1.50
	Seal R&R	1.00
	Axle R&R	1.50
Drive Shaft	U-Joint Repair	1.00
	Carrier Bearing R&R Assembly	1.00
Clutch	Friction Disc	1.00
Wheel Yoke Tail Wheel	R&R	0.75
Tongue	R&R	0.75
LANDSCAPE RAKES	DESCRIPTION	MAX. HRS.
Frame	A-Frame R&R	0.50
	Boom Frame R&R	1.00
	Mold Board R&R	1.00
	Tines R&R	0.10
Hydraulics	Hose R&R	0.30
	Cylinder Rod R&R	1.50
	Cylinder R&R	0.50
	Cylinder Seal Kit R&R	1.50
Gauge Wheel	Wheel R&R	0.30
	Wheel Yoke R&R	0.50
	Arm R&R	0.50

POWER RAKES	DESCRIPTION	MAX. HRS.	
Caster Assembly	Caster Support	0.50	
	Shaft	1.00	
	Shaft Bearings	1.00	
	Wheel Hub	0.50	
	Tire	0.50	
Main Assembly	Barrier Mount	1.00	
	Barrier Mount	0.50	
	End Plate	0.50	
	Cover (End)	0.50	
	Pivot Frame	0.50	
Attachment Frame	Attachment Frame	1.00	
	Roller Frame	Main frame	3.50
		Chain Case	2.00
		Upper Drive Sprocket	1.00
		Tension Arm Assembly	0.50
Lower Drive Sprocket		1.00	
Roller Bearings (Drive End)		2.50	
Roller Bearings		1.00	
Roller Replacement		2.50	
Hydraulics		Motor	1.00
	Hose (Each)	0.50	
	Cylinder	0.50	
	Control Harness	0.50	
	Hydraulic Manifold	1.00	
REAR BLADES	DESCRIPTION	MAX. HRS.	
Frame	A-Frame R&R	0.50	
	Boom Frame R&R	1.00	
	Mold Board R&R	1.00	
	Pivot R&R	1.50	
	Cutting Edge R&R	0.10	
Hydraulics	Hose R&R	0.30	
	Cylinder Rod R&R	1.50	
	Cylinder R&R	0.50	
	Cylinder Seal Kit R&R	1.20	
Valves	Cushion Valve R&R	0.50	
	Auxiliary Valve R&R	0.70	
	Valve Seal Kit R&R	1.50	
	Valve Detent Kit R&R	0.40	
	Valve Spring Center Kit R&R	0.40	
	Valve Circuit Relief R&R	0.50	
	Valve Relief Cartridge R&R	0.30	
	Valve Controls R&R	0.30	

WARRANTY POLICY AND LABOR GUIDE – Effective January 1, 2021
Woods® Agriculture and Turf Addendum – Flat Rate Schedule (Continued)

TILLERS	DESCRIPTION	MAX. HRS.
Gearbox	Gearbox R&R	1.50
	Input Shaft R&R	2.50
	Output Shaft R&R	2.50
	Output Shaft Seal R&R	2.00
	Input Shaft Seal R&R	2.00
	Bearings R&R	3.00
Hyd. Motor (Alitec®)	R&R Motor	0.75
Chain Drive	Chain R&R	1.50
	Sprocket R&R	2.00
	Oil Seal	2.00
Tines	R&R (Each)	.025
Drive Shaft	U-Joint Repair	1.00
Frame	A-Frame R&R	0.50
	Gearbox Stand R&R	2.00
	Blade Carrier/Rotor R&R	4.00
Gearbox (TS & TC Series)	Gearbox R&R	1.25
	Output Shaft Seal R&R	1.75
	Input Shaft Seal R&R	1.75
	Bearings R&R	2.75
Chain Drive (TS & TC Series)	Chain R&R	0.75
	Sprocket R&R	0.75
	Oil Seal (Lower)	2.00
	Oil Seal (Upper)	1.75
	Tines	R&R (Each) (TC & TS Series)
Drive Shaft	U-Joint Repair (TC & TS Series)	1.00
Frame (TS & TC Series)	A-Frame R&R	0.25
	Gearbox Stand R&R	0.50
	Blade Carrier/Rotor R&R	3.75
PULVERIZERS & TURF RENOVATORS	DESCRIPTION	MAX. HRS.
Pulverizers	Roller R&R	1.00
	Bearing R&R	0.50
	Roller Arm R&R	0.50
	Roller Spikes R&R (Per spindle)	0.20
	Spring R&R	0.30
	Spikes R&R	0.20
Precision Super Seeders	Roller R&R	1.00
	Bearing R&R	0.50
	Roller Arm R&R	0.50
	Roller Spikes R&R	0.20
	Feed Shaft Assembly R&R	2.00
	Spring R&R	0.30
	Spikes R&R	0.20
Core Aerators	Axle Shaft R&R	1.50
	Spoon Assembly R&R	0.20

DISC HARROWS	DESCRIPTION	MAX. HRS.
Bearing Replacement	Inner	0.50
	Outer	0.25
Disc Blade Replacement	Inner	0.50
	Center	0.30
	Outer	0.25
Disassemble & Reassemble Gang	Each	0.50
REARMOUNTS	DESCRIPTION	MAX. HRS.
Frame & Mounting Components	Frame	3.50
	Gear Stand	1.75
	A-Frame	0.50
	Mounting Pin	0.50
	Top Link	0.30
	Mounting Lug	0.40
	Link, Offset	0.40
	Discharge Chute	0.30
Hinge	0.50	
Spindle & Sheave Assemblies	Gearbox Drive Sheave	1.00
	Spindle (Replace outside)	1.00
	Spindle (Center)	1.50
	Seal	0.75
	Bearings	1.25
	Shaft	1.25
	Spindle Sheave	0.30
Idler Sheave	0.40	
Belt & Idler Assemblies	Belt	0.75
	Idler Arm Bushing	1.20
	Idler Arm	1.00
	Idler Tension Spring	0.50
Caster Assembly	Arm	0.50
	Yoke	0.50
	Wheel	0.50
	Bearing	0.75
	Spacer	0.30
	Spring	0.25
Gearbox	Replacement	1.75
	Seal (Output)	2.00
	Seal (Input)	1.00
	Horizontal Shaft	1.50
	Vertical Shaft	2.00
	Housing	2.50
Drive	QD Yoke	0.75
	Universal Joint	0.75
	Yoke & Tube	1.00
	Yoke & Shaft	1.00
	Shielding	0.50

WARRANTY POLICY AND LABOR GUIDE – Effective January 1, 2021

Woods® Agriculture and Turf Addendum – Flat Rate Schedule (Continued)

LOADER	DESCRIPTION	MAX. HRS.
Main Frame	Boom Frame R&R	1.50
Hydraulics	Hose R&R	0.30
	Feedline Replacement	0.40
	Cylinder R&R	0.50
	Seal Kit R&R	1.50
	Rod R&R	1.50
Valves	Valve R&R	1.30
	Valve Seal Kit R&R	1.50
	Valve Detent Kit R&R	1.00
	Valve Spring Center Kit R&R	1.00
	Valve Load Check Kit R&R	0.50
	Valve Relief Cartridge R&R	0.30
	Valve Controls R&R	0.80
	Valve Cable R&R	0.50
	Cable Joystick R&R	0.50
Mounting	R&R	2.00
Attachments	Bucket R&R	0.50
	Quick Attach R&R	0.50
	Bale Spear R&R	0.50
	Fork R&R	0.50

ZERO-TURN MOWERS	DESCRIPTION	MAX. HRS.
Steering Controls	Steering Pivot	0.50
	Steering Lever Mount	0.40
	Steering Lever	0.25
	Ball Joint	0.25
	Control Arm	0.75
	Dampener	0.50
	Eccentric Roller Assembly	1.00
	Neutral Return Arm	0.75
	Neutral Return Spring	0.40
	Foam Grip	0.25
Main Frame	Frame Replacement	6.00
	Fender Replacement	0.30
	Tail Wheel Pivot	0.75
Hydrostatic Transmission	Transmission Replace: 6000 Series	3.00
	R-Series	1.50
	Wheel Motor (F&M Series)	1.50
	Hydro Pump (F&M Series)	1.50
	Control Shaft Seal	1.00
	Pump Cover	1.75
	Pump Rotor	3.00
	Dampening Pistons	3.00
	Cam Ring	3.00
	Axle Shaft	2.50
	Axle Shaft Seal	2.50
	Final Drive	2.50
	Motor Rotor	2.00
	Oil Filter	0.25
	Cooling Fan	0.30
	Neutral Adjust	0.50
	Wheel Motor	1.00
	Pump	1.50
	Reservoir (Large frame)	2.50
	Reservoir (Small frame)	0.75
Reservoir (R-Series)	1.00	

WARRANTY POLICY AND LABOR GUIDE – Effective January 1, 2021

Woods® Agriculture and Turf Addendum – Flat Rate Schedule (Continued)

ZERO-TURN MOWERS (Continued)	DESCRIPTION	MAX. HRS.
Brake Assembly	Caliper	1.00
Lift System	Lift Cylinder	1.00
	Lift Arms	1.00
	Lift Tie Rod	1.00
	Valve	1.00
Hydro Drive Assembly	Coupling Connector	0.75
	Coupling Hub	1.25
	Flex Disc	1.25
PTO Assembly	Belt	0.50
	Idler	0.50
	Idler Arm	0.50
	Idler Arm Bushing	0.75
	Spring	0.25
	Bearings	1.50
	Shaft	1.75
Electric Clutch	Clutch	1.00
Seat Assembly	Seat	0.25
	Seat Back	0.25
	Seat Adjuster	0.30
	Arm Rest	0.25
	Arm Rest Mount	0.50
Electrical	Battery	0.50
	Cables	0.25
	Solenoid (All)	0.30
	Ignition Switch	0.30
	Interlock Switch	0.75
	Steering Lever Switch	0.50
	Parking Brake Switch	0.50
	Wiring Harness: 6000 Series	2.50
	F-Series	1.50
	M-Series	1.50
	R-Series	1.00
	Wiring Harness	2.50
	Hour Meter	0.50
	Module	0.30
	Fuse	0.30
	Ammeter	0.10
	Seat Switch	0.30
Relay	0.50	

ZERO-TURN MOWERS (Continued)	DESCRIPTION	MAX. HRS.
Fuel	Tank	0.50
	Line	0.20
	Filter	0.10
	Valve	0.25
Throttle & Choke Cables	Choke Cable	0.75
	Throttle Cable	0.25
Wheel, Tire	Tire	0.50
	Wheel	0.50
	Wheel Hub	0.75
	Bearings	0.50
Muffler	Muffler	0.50
	Heat Shield	0.30
Mower Deck	Deck Shell	3.00
	Deck Actuator	1.00
	12V Actuator	1.00
	Belt	0.50
	Tension Spring	0.25
	Tension Adjustment Bolt	0.30
	Idler Arm	0.60
	Idler Arm Bushing	0.75
	Idler	0.30
	Gearbox	Repair
Replace	1.00	
Mower Spindles	Repair	1.00
	Replace	0.75
Drive Shaft	Repair	0.30
	Replace	0.20
Lift Assembly	Lift Lever	1.00
	Lift Lever Rod	0.75
	Deck Lift Rod	0.40
	Deck Lift Lever	0.50
	Lift Channel	0.75
	Stabilizer	0.75
	Fork Mount	0.75
	Flanged Bushing	1.00
Caster Assembly	Wheels	0.30
	Wheel Bearings	0.50
	Fork	0.40
	Bushings	0.40
Blades	Replace	0.30

WARRANTY POLICY AND LABOR GUIDE – Effective January 1, 2021

Woods® Agriculture and Turf Addendum – Flat Rate Schedule (Continued)

END DRIVE SHREDDER	DESCRIPTION	MAX. HRS.
Drivelines	U-Joint	1.00
	Shield	0.50
Frame Components	Rockshaft R&R	2.00
	Rubber Flaps	1.50
	Door Weld R&R	1.00
Drive Components	Belts	0.50
	Pulleys	1.00
	Cross Shaft	1.75
	U-Joints	1.00
	Idler Arm	0.75
	Idler Pulley	0.50
	Gearbox	2.50
Hitch Components	Ear Weld R&R	1.00
	Frame Weld R&R	0.75
	Float Bar R&R	0.25
Flail Tubes	Flail Tubes R&R	3.50
	Flail Tube Shaft	4.00
	Center Bearing	5.50
R&R Knife	12 ft.	3.40
	15 ft.	4.40
	18 ft.	5.20
	20 ft.	6.00
	22 ft.	6.80
Wheel Components	Strut Weldment R&R	1.00
	Wheel Bearings	1.00
Gearbox	Seals	1.00
	R&R	2.50
	Input Shaft	3.50
	Cross Shaft	3.50
	Seals	3.50

CENTER DRIVE SHREDDER	DESCRIPTION	MAX. HRS.
Drivelines	U-Joint	1.00
	Shields	0.50
	Clutch Assembly - complete R&R	1.50
	Friction Pack	1.00
Frame Assembly	Rockshaft	2.00
	Rubber Flaps	1.50
	Bearing Plates	1.00
Flail Tubes	End Bearing	1.00
	Flail Tube R&R	2.00
	Flail Tube Shaft R&R	2.50
	Flail Tube Coupler	2.50
R&R Knife	12 ft.	3.20
	14 ft.	3.80
	15 ft.	4.20
	18 ft.	5.00
	20 ft.	5.80
	22 ft.	6.40
	24 ft.	6.80
27 ft.	7.20	
Gearbox	R&R	6.00
	Input Shaft	7.00
	Cross Shaft	7.00
	Seals	7.00
	Bearings	7.00
Wheel Assemblies	Strut R&R	1.00
	Bearings	1.00
	Seals	1.00
Center Cutter	Blade R&R	0.50
	Hydraulic Motor R&R	2.50
	Seal, Motor R&R	1.00
	Hoses R&R	1.00
End Transport	Spindle Assembly R&R	1.00
	Bearings R&R	1.00
	Seals R&R	1.00
	End Hitch R&R	1.00
Bedcone Assembly	Strut R&R	0.50
	Scraper R&R	0.50
	Yoke Weldment R&R	0.50
	Roller Weldment	0.50

WARRANTY

All Models Except Mow'n Machine™ Zero-Turn Mowers

Please Enter Information Below and Save for Future Reference.

Date Purchased: _____ From (Dealer): _____
 Model Number: _____ Serial Number: _____

Woods Equipment Company ("WOODS") warrants this product to be free from defect in material and workmanship. Except as otherwise set forth below, the duration of this Warranty shall be for TWELVE (12) MONTHS COMMENCING ON THE DATE OF DELIVERY OF THE PRODUCT TO THE ORIGINAL PURCHASER.

All current model backhoes, loaders and mounts (except 3-pt. SAF-T-LOK® mounts) are warranted for two (2) years from the date of delivery to the original purchaser. The limited warranty covers any defects in the material and/or workmanship. Following the proper, recommended installation by an authorized Woods Dealer and normal use of a Woods mounting and backhoe or loader, if a tractor incurs damage resulting from the attachment, Woods will cover the existing tractor warranty in the event the manufacturer voids its tractor warranty because of the attachment. Warranty does not cover any misuse or abusive conditions that could cause premature wear or damage to attachment or tractor.

The warranty periods for specific parts or conditions are listed below:

Part or Condition Warranted	Model Number	Duration (from date of delivery to the original purchaser)
All units invoiced after 4/30/2012		
Gearbox components	BB48X, BB60X, BB72X, BB84X, BB600X, BB720X, BB840X, BB6000X, BB7200X, BB8400X, DS12.50, TS14.60, DS1440, TS1680, DS8.30, DS10.40, DS8.50, DSO8.50, DS10.50, DSO10.50, DBH5.30, DBH6.30	6 years
	BW12, BW15, BW126X, BW180X, BW126XHD, BW180XHD, BW1260X, BW1800X, BW10.50, BW10.50Q, BW15.50, BW15.50Q, BW15.60, BW15.60Q, BW10.60, BW10.60Q	
	BW240X, BW240XHD, BW1620X, BW2400X	
	RD990X, PRD6000, PRD7200, PRD8400, S15CD, S20CD, S22CD, S25CD, S27CD, S30CD, TC/R74, TC/R68, TC/R60, TBW144, TBW180, TBW204, TSG50, S12ED, S15ED, S18ED, S20ED, TPD25, TPD35, TPD65, TPD95	3 years (1 year if used in rental or commercial applications)
RDC54, RD60, RD72, TBW150C, TS/R60, TS/R52, TS/R44, RC3.5, RC4, RC5, RC6		
Blade spindles	RD990X, PRD6000, PRD7200, PRD8400, TBW144, TBW180, TBW204	3 years

Under no circumstances will this Warranty apply in the event that the product, in the good faith opinion of WOODS, has been subjected to improper operation, improper maintenance, misuse, or an accident. This Warranty does not apply in the event that the product has been materially modified or repaired by someone other than WOODS, a WOODS authorized dealer or distributor, and/or a WOODS authorized service center. This Warranty does not cover normal wear or tear, or normal maintenance items. This Warranty also does not cover repairs made with parts other than those obtainable through WOODS.

This Warranty is extended solely to the original purchaser of the product. Should the original purchaser sell or otherwise transfer this product to a third party, this Warranty does not transfer to the third party purchaser in any way. There are no third party beneficiaries of this Warranty.

WOODS makes no warranty, express or implied, with respect to engines, batteries, tires or other parts or accessories not manufactured by WOODS. Warranties for these items, if any, are provided separately by their respective manufacturers.

WOODS' obligation under this Warranty is limited to, at WOODS' option, the repair or replacement, free of charge, of the product if WOODS, in its sole discretion, deems it to be defective or in noncompliance with this Warranty. **The product must be returned to WOODS with proof of purchase within thirty (30) days after such defect or noncompliance is discovered or should have been discovered, routed through the dealer and distributor from whom the purchase was made, transportation charges prepaid.** WOODS shall complete such repair or replacement within a reasonable time after WOODS receives the product. **THERE ARE NO OTHER REMEDIES UNDER THIS WARRANTY. THE REMEDY OF REPAIR OR REPLACEMENT IS THE SOLE AND EXCLUSIVE REMEDY UNDER THIS WARRANTY.**

THERE ARE NO WARRANTIES WHICH EXTEND BEYOND THE DESCRIPTION ON THE FACE OF THIS WARRANTY. WOODS MAKES NO OTHER WARRANTY, EXPRESS OR IMPLIED, AND WOODS SPECIFICALLY DISCLAIMS ANY IMPLIED WARRANTY OF MERCHANTABILITY AND/OR ANY IMPLIED WARRANTY OF FITNESS FOR A PARTICULAR PURPOSE.

WOODS shall not be liable for any incidental or consequential losses, damages or expenses, arising directly or indirectly from the product, whether such claim is based upon breach of contract, breach of warranty, negligence, strict liability in tort or any other legal theory. Without limiting the generality of the foregoing, Woods specifically disclaims any damages relating to (i) lost profits, business, revenues or goodwill; (ii) loss of crops; (iii) loss because of delay in harvesting; (iv) any expense or loss incurred for labor, supplies, substitute machinery or rental; or (v) any other type of damage to property or economic loss.

This Warranty is subject to any existing conditions of supply which may directly affect WOODS' ability to obtain materials or manufacture replacement parts.

No agent, representative, dealer, distributor, serviceperson, salesperson, or employee of any company, including without limitation, WOODS, its authorized dealers, distributors, and service centers, is authorized to alter, modify, or

WOODS® | A Blount International Brand

2606 South Illinois Route 2
 Post Office Box 1000
 Oregon, Illinois 61061 USA

800-319-6637 tel
 800-399-6637 fax
 woodsequipment.com



ALITEC™
CENTRAL FABRICATORS®
GANNON®
WAIN-ROY®
WOODS®

LIMITED WARRANTY**Mow'n Machine™ Zero-Turn Mowers**

Please Enter Information Below and Save For Future Reference.

Date Purchased: _____ From (Dealer): _____
Model Number: _____ Serial Number: _____**WHAT IS COVERED:**

Woods Equipment Company ("WOODS") warrants Mow'n Machine™ zero-turn mowers, attachments and accessories to be free from defect in material and workmanship for the warranty periods listed below.

FOR HOW LONG:

Mow'n Machine Model #FZ22K, FZ23B, FZ25D, FZ28K & attachments are warranted for two (2) years from the date of delivery to the original purchaser or 2000 hours of operation, whichever occurs first.

IMPLIED WARRANTIES OF MERCHANTABILITY AND/OR FITNESS FOR A PARTICULAR PURPOSE ARE LIMITED IN DURATION TO THE DURATION OF THE WRITTEN WARRANTY PERIODS LISTED ABOVE. Some states do not allow limitations on how long an implied warranty lasts, so the above limitation may not apply to you.

WHO IS COVERED:

This Warranty is extended solely to the original purchaser of the product. Should the original purchaser sell or otherwise transfer the product to a third party, this Warranty does not transfer to the third party purchaser in any way. There are no third party beneficiaries of this Warranty.

WHAT IS NOT COVERED:

This Warranty does not cover normal wear or tear, or normal maintenance items, or any damage, failure or loss caused by:

1. Improper operation, improper maintenance, misuse, or an accident;
2. Any modification or repair by someone other than WOODS, a WOODS' authorized dealer or distributor, and/or a WOODS' authorized service center; or
3. Repairs made with parts other than those obtained through WOODS.

WOODS makes no warranty, express or implied, with respect to engines, batteries, tires or other parts or accessories with respect to which the manufacturer provides a separate warranty.

WHAT WOODS WILL DO TO CORRECT PROBLEMS:

WOODS' obligation under this Warranty is limited to, at WOODS' option, the repair or replacement, free of charge, of the product if the product is defective or in noncompliance with this Warranty. The product must be returned to WOODS with proof of purchase within thirty (30) days after such defect or noncompliance is discovered or should have been discovered, routed through the dealer and distributor from whom the purchase was made, transportation charges prepaid. WOODS shall complete such repair or replacement within a reasonable time after WOODS receives the product.

OTHER LIMITATIONS:**WOODS shall not be liable for any incidental or consequential losses, damages or expenses, arising directly or indirectly from the product, whether such claim is based upon breach of contract, breach of warranty, negligence, strict liability in tort or any other legal theory.** Without limiting the foregoing, WOODS shall not be liable for any damages relating to (i) lost profits, business, revenues or goodwill; (ii) any expense or loss incurred for labor, supplies, substitute machinery or rental; or (iii) any other type of damage to property or economic loss. Some states do not allow the exclusion or limitation of incidental or consequential damages, so the above limitations may not apply to you.

No agent, representative, dealer, distributor, service person, salesperson, or employee of any company, including without limitation, WOODS, its authorized dealers, distributors, and service centers, is authorized to alter, modify, or enlarge this Warranty.

HOW STATE LAW APPLIES:

This Warranty gives you specific legal rights, and you may also have other rights which vary from state to state.

QUESTIONS:

Answers to any questions regarding warranty service and locations may be obtained by contacting:

WOODS® | A Blount International Brand2606 South Illinois Route 2
Post Office Box 1000
Oregon, Illinois 61061 USA800-319-6637 tel
800-399-6637 fax
woodsequipment.com**WOODS®****ALITEC™**
CENTRAL FABRICATORS®
GANNON®
WAIN-ROY®
WOODS®

INTRODUCTION	MISC24 – MISC28
Foreword	MISC24
Warranty Claim Reporting	MISC24
The Purpose of a Warranty	MISC24
Dealer Responsibilities	MISC25
Pre-Delivery, At Time of Sale or Lease of Woods CE Attachment	MISC25
At Time of Warranty Claim By Owner or Lessee of a Woods CE Attachment	MISC25
Woods Equipment Company® Responsibilities	MISC26
Other Warranty Provisions	MISC27
Service Bulletins	MISC28
Use of Digital Pictures	MISC28
Delayed Warranty Repair	MISC28
Denied Claim	MISC28
State Law	MISC28
WOODS CONSTRUCTION EQUIPMENT EXAMPLE FORMS	MISC29 – MISC30
Example 5 – Warranty Statement Form	MISC29
Example 6 – Online Warranty Claim Form	MISC30
PROCEDURES FOR COMPLETION OF CE ONLINE WARRANTY CLAIM FORM	MISC31

FOREWORD

The fundamental responsibility of warranty is to reimburse the Woods® dealer for expenses the dealer may have generated in correcting defects in workmanship or material that are deemed to be the responsibility of Woods Equipment Company.

This manual was developed to assist the dealer in creating customer loyalty through customer satisfaction. The purpose of this manual is to explain to Woods dealers the responsibilities of the dealer, the customer and Woods Equipment Company in ensuring complete customer satisfaction. Woods Equipment Company and its dealers must cooperate in building strong customer relations by consistently providing equitable, careful, and courteous attention to every equipment owner who visits the dealership during the warranty period. Adequately serving customer needs strengthens the reputation of both Woods Equipment Company and its authorized dealers. Keep in mind that customers carry their satisfaction (or lack of it) back to friends, neighbors, and business associates.

This manual is designed to aid dealers in addressing customer requests in a prompt and consistent manner. Authorized dealers may replace or repair any part found to be defective in workmanship or material within the time and cost limits outlined in this manual without obtaining prior approval from the Warranty Department of Woods Equipment Company. Woods reserves the right to accept, modify, or reject any warranty claim.

Our Warranty Department welcomes any phone or mail inquiries and is prepared to render a prompt and fair decision on all warranty matters.

With a working knowledge of the procedures outlined in this manual, and the technical ability to determine the reason for repairs or replacements, warranty claims can be handled efficiently, courteously, and promptly.

WARRANTY CLAIM REPORTING

By Mail: Woods Equipment Company
Attn: Warranty Dept.
PO Box 1000
Oregon, IL 61061

By Phone: (800) 848-3447, Option 2 (Alitec/Technical Services)

By E-mail: CEWarranty@WoodsEquipment.com

Woods Website: www.WoodsEquipment.com

THE PURPOSE OF A WARRANTY

Warranty assures the purchaser that should a defect in material or workmanship be found during the warranty period, Woods Equipment Company will assume specific repair responsibilities, as listed in the warranty statement (Example 5, page MISC29). The statement is also printed on the back cover of the operator's manual (where provided). The duration of this warranty shall be twelve (12) months commencing on the in-service date of the product, or fifteen months after shipment from the factory, or 1,500 hours of service, whichever occurs first. Proof of the in-service date must be provided for claims against product that originally shipped more than twelve (12) months prior to the date of the claim. Once the warranty period has started, it cannot be stopped or interrupted.

DEALER PRE-DELIVERY RESPONSIBILITIES AT TIME OF SALE OR LEASE OF WOODS® CE ATTACHMENT

The following responsibilities are to be performed when the dealer delivers a product to the purchaser or lessee or otherwise places it into warranty service:

1. Complete product registration online at dealer.woodsequipment.com.
2. Review warranty statement and common, non-covered warranty claim examples (Example 5, page MISC29) (and Operator's Manual if applicable) with purchaser to assure understanding of purchaser's responsibilities as related to warranty and service, along with the safe and correct operating procedures of the equipment.
3. Purchaser or Lessee should be instructed to:
 - Repair or replace failed or failing parts when their continued use would cause damage or excessive wear.
 - Maintain weld and structural integrity by re-welding as required to prevent excessive weld erosion.
 - Repair or replace wear parts such as teeth and cutting edges when their continued use would cause damage or excessive wear to tooth holders and associated parts.
 - Repair, re-weld or replace areas of the attachment that are being eroded by soil abrasion.
 - Report to the dealer and repair any cracking of welds or structural members.
 - Not misuse the attachment such as using a general-purpose bucket where a severe duty bucket is required.
 - Not modify the attachment as material modifications may damage or shorten the operating life or reduce performance of the attachment.

DEALER RESPONSIBILITIES AT TIME OF WARRANTY CLAIM BY OWNER OR LESSEE OF A WOODS CE ATTACHMENT

The following responsibilities are to be performed by the Woods CE attachment dealer:

1. Provide warranty service and support for any Woods CE attachments that are operating in the dealer's area of trade responsibility whether sold by the dealer or not.
2. Provide warranty service requested by the customer and **SUBMIT WARRANTY CLAIM FORMS (Example 6, page MISC30) TO WOODS EQUIPMENT COMPANY WITHIN 15 WORKING DAYS FROM THE DATE LABOR IS COMPLETED.**
3. Submit warranty claims to Woods when defects in material or workmanship are found while the product remains in dealer inventory.
4. Provide warranty and service repairs as directed by Woods Equipment Company Service Bulletins.
5. **Complete all warranty work within 30 days from when the customer notifies the dealer of the problem.** If there is a problem with completing work in this time frame, the dealer must contact the Woods Product Service Manager for an extension. **No claims will be accepted on equipment that exceeds this 30-day period.**
6. Provide appropriate field support as required for a recall or field modification to Woods CE attachments.

WOODS EQUIPMENT COMPANY® RESPONSIBILITIES**1. Parts Credit**

Woods will provide the dealer with a parts credit on parts purchased from Woods that are used in the warranty repair. Reimbursement for parts used in warranty repair will be credited only when the parts are purchased from Woods Equipment Company. Parts will be credited at dealer net. Invoice numbers must be supplied for the purchased parts. **NO WARRANTY REIMBURSEMENT WILL BE MADE ON PARTS FOR WHICH PAYMENT IS PAST DUE.**

2. Warranty Parts Freight

In order to receive credit for freight on parts used in a warranty repair, freight charges must be included on the warranty claim form before submitting to Woods. Shipment requested by special means will be at dealer's expense (e.g., air, next day air, priority, etc.).

3. Warranty Labor

Reimbursement for labor expense to the dealer is made at dealer shop rate. Repair times will be reviewed by the Woods Service Manager and may be adjusted according to average repair time requirements. Labor is not paid on service parts warranty. No driving time or service call charges will be allowed.

4. Outside Expenses

Woods will reimburse the dealer for authorized warranty services that the dealer is unable to perform. Reimbursement for materials or services is made to the dealer by payment of dealer net price. These expenses must be considered necessary to perform the warranty repair and are not normally expected to be provided by the dealer (e.g., special welding, precision machining, etc.). Outside repair invoice must be attached to the warranty claim.

OTHER WARRANTY PROVISIONS

The following provisions are to be followed when performing warranty repairs:

1. In all cases, the most economical repair should be performed unless otherwise directed. As an example, a complete hydraulic component requires service and the combined total of labor and parts equals or exceeds 75% of the total cost of the component, then the complete component should be replaced.
2. When it is determined that an attachment with a serial tag on it is to be scrapped at the dealer's facility, the serial tag must be removed and returned to Woods Equipment Company® at the address on page MISC24 of this document. Additionally one of the mounting ears should be cut off the attachment. A digital picture of the attachment without the mounting ear and the warranty claim number must be sent to CEWarranty@WoodsEquipment.com. The dealer may then scrap the attachment, and the dealer may retain the scrap value proceeds of the attachment.
3. **Woods parts are covered under warranty for a period of 90 days.** A copy of the purchase receipt or invoice must be attached to the claim requesting warranty reimbursement. When large or expensive components such as hydraulic cylinders are sold as service parts, the serial number, spec number or date code needs to be documented on the customer invoice. The dealer should then use this document to verify that the component being returned for warranty consideration matches the unit listed on the customer invoice. A copy of that invoice will need to be returned with the part if requested.
4. All parts removed during a repair should be held for 45 days after the warranty claim has been submitted to Woods Equipment Company. These parts can be discarded if disposition or return request has not been made during this period. Parts that are returned for warranty and are not issued for credit can be returned to the dealer if Woods receives the return request within 30 days of the warranty denial. **The parts will be discarded after the 30-day period.**
5. Woods Equipment Company reserves the right to reverse any or all warranty credits for parts, labor, or miscellaneous charges when errors are found or warranty policies are not complied with.
6. Warranty reimbursement is not possible:
 - If parts returned for evaluation are not cleaned and tagged, or if they are damaged in return shipment due to poor packaging.
 - When failure falls under the "limitations" as identified in the warranty statement.
 - When Woods has requested the return of certain parts, assemblies, or information and has not received requested material within 30 days of date posted on return request.
 - On claims, due to damage or shortage, that is obviously the responsibility of the Woods dealer or the delivering carrier.
 - On the entire claim when warranty policy or provisions are not followed.
7. **Dealer Modifications:** The dealer may not make modifications to products sold by Woods Equipment Company except to the extent necessary to include company authorized accessories or parts. The Limited Express Warranty shall be null and void with respect to any products otherwise modified. All liability for unauthorized modifications to products by the dealer shall be borne by the dealer and the dealer shall defend, indemnify and hold the Company harmless from any claims relating to said modification. All dealers warrant their own work to the purchaser.
8. **Return of Goods:** Goods cannot be returned, and orders once accepted cannot be canceled without the seller's prior written consent and a return authorization. A restocking fee of 20% will be applied to any credit deemed not to be the responsibility of Woods Equipment Company.
9. **Termination for Convenience:** If buyer notifies seller that it terminates an order for its convenience, seller will stop all work as promptly as reasonably possible, but buyer shall be responsible for a termination charge, computed on the basis of the seller's full cost including overhead, plus 20% for all engineering work, work in process, raw materials, supplies, administrative expenses and all commitments made by seller in connection with the order, less such allowances as seller may be in position to make for any standard components and for the balance of the material as scrap.

SERVICE BULLETINS

Service Bulletins will be issued when necessary to alert dealers of special repairs. Each bulletin will give detailed directions and procedures to complete the services. The dealer is obligated to comply with all service bulletins.

USE OF DIGITAL PICTURES

Digital pictures showing the material or manufacturing defect must be forwarded with the dealer's warranty claim number to CEWarranty@WoodsEquipment.com as their inclusion will help identify the condition of the part being repaired or replaced, thus assisting in rapid approval of the claim. Suggested photos include pictures of the defect itself in both close-up and at a slight distance, and pictures showing the general condition of the Woods attachment. In many cases, the use of photos will eliminate the need to return parts for evaluation, expedite the dealer being able to scrap the parts from the dealer's premises and expedite warranty claim approvals.

DELAYED WARRANTY REPAIR

Warranty repairs should be scheduled and performed as soon as they have been brought to the dealer's attention. It is recognized, however, that in some cases, due to use of products or availability of service replacement parts, the repair cannot always be made as soon as it should. If a repair is scheduled to occur after the warranty has expired; the dealer should send a letter explaining the circumstances to the Woods Service Manager prior to expiration of the warranty. Included in this letter should be the purchaser's name, serial number of the product, purchase date, nature of failure, and approximate date when repair will be made. These claims will then be processed as if the product is still within the warranty period.

DENIED CLAIM

If a claim has been denied for warranty, the dealer will receive a credit memo stating the reason for denial. The dealer has the right to appeal this denial and must do so within 30 days. If there has been no appeal within 30 days then the claim will be considered closed.

STATE LAW

If anything contained in this policy statement is inconsistent with state law, then state law applies rather than such provision, but the remainder of the policy statement still applies.


WARRANTY
Construction Equipment

Please Enter Information Below and Save for Future Reference.

Date of Purchase: _____ From (Dealer): _____
 Model Number: _____ Serial Number: _____

Woods Equipment Company ("WOODS") warrants this product to be free from defects in material and workmanship. Except as otherwise set forth below, the duration of this Warranty shall be twelve (12) months commencing on the in-service date of the product or fifteen months after shipment from the factory or 2,000 hours of service, whichever occurs first. Proof of the in-service date must be provided for claims involving product that originally shipped more than twelve (12) months prior to the date of the claim.

Under no circumstances will this Warranty apply in the event that the product, in the good faith opinion of WOODS, has been subjected to improper operation, improper maintenance, misuse, inappropriate application or an accident. This Warranty does not apply in the event that the product has been materially modified or repaired by someone other than WOODS, a WOODS authorized dealer or distributor, and/or a WOODS authorized service center. This Warranty does not cover normal wear and tear, or normal maintenance items, as more specifically described below. This Warranty also does not cover repairs made with parts other than those obtained through WOODS.

This Warranty is extended solely to the original purchaser of new and unused product, including, but not limited to, purchases made from authorized Woods dealers. Should such original purchaser sell or otherwise transfer this product to a third party, this Warranty does not transfer to the third party purchaser in any way. There are no third party beneficiaries of this Warranty.

WOODS' obligation under this Warranty is limited to, at WOODS' option, the repair or replacement, free of charge, of the product if WOODS, in its sole discretion, deems it to be defective or in noncompliance with this Warranty. **The product must be returned to WOODS with proof of purchase within thirty (30) days after such defect or noncompliance is discovered or should have been discovered, routed through the dealer and distributor from whom the purchase was made, transportation charges prepaid.** WOODS shall complete such repair or replacement within a reasonable time after WOODS receives the product. THERE ARE NO OTHER REMEDIES UNDER THIS WARRANTY. THE REMEDY OF REPAIR OR REPLACEMENT IS THE SOLE AND EXCLUSIVE REMEDY UNDER THIS WARRANTY.

THERE ARE NO WARRANTIES, WHICH EXTEND BEYOND THE DESCRIPTION ON THE FACE OF THIS WARRANTY. WOODS MAKES NO OTHER WARRANTY, EXPRESS OR IMPLIED, AND WOODS SPECIFICALLY DISCLAIMS ANY IMPLIED WARRANTY OF MERCHANTABILITY AND/OR ANY IMPLIED WARRANTY OF FITNESS FOR A PARTICULAR PURPOSE.

WOODS shall not be liable for any incidental or consequential losses, damages or expenses, arising directly or indirectly from the product, whether such claim is based upon breach of contract, breach of warranty, negligence, strict liability in tort or any other legal theory. Without limiting the generality of the foregoing, WOODS specifically disclaims any damages relating to (i) lost profits, business, revenue or goodwill; (ii) any expense or loss incurred for labor, supplies, substitute machinery or rental; or (iii) any other type of damage to property or economic loss.

This Warranty is subject to any existing conditions of supply, which may directly affect WOODS' ability to obtain materials or manufacturer replacement parts.

No agent, representative, dealer, distributor, serviceperson, or employee of any company, including without limitation, WOODS, its authorized dealers, distributors, and service centers, is authorized to alter, modify or enlarge this Warranty.

Contact an authorized WOODS dealer or service center for warranty service. Common issues that would NOT be covered by this Warranty Policy include, but are not limited to, the examples listed below this Policy.

WOODS® | A Blount International Brand

1962 Queenland Drive
 Mosinee, Wisconsin 54455 USA

800-848-3447 CE tel
 715-692-5987 fax
 woodsequipment.com

WOODS®
CONSTRUCTION

ALITEC™
CENTRAL FABRICATORS®
GANNON®
WAIN-ROY®
WOODS®

Examples of Common, Non-Covered Claims

1. The owner and operator are responsible for maintaining weld integrity on attachments subject to weld erosion from ongoing contact with soils, rocks, and other materials. Different materials have differing abrasive characteristics that will erode the structural welds of ground-engaging attachments at differing rates. Structural failures may occur as a result of excessive weld erosion. The owner and operator are responsible for maintaining necessary weld sizes and re-welding eroded welds with industry-approved procedures. Woods will not accept warranty claims for weld erosion or structural failures of the attachment as a result of weld erosion.
2. Attachments are used extensively in ground-engaging operations and, as a result, the teeth, tooth holders, cutting edges, bucket edges, ripper shanks, and other portions of the attachment are subject to abrasion and resulting wear. Woods will not accept warranty claims for wear of components or wear of areas of the attachment subject to ground-engaging wear.
3. The owner and operator are responsible for examining the attachment for any weld or structural cracking. Any such cracking caused by a defect in materials or workmanship by Woods will be covered under the Woods Warranty Policy. If the owner or operator continues to operate the attachment after weld cracking or structural cracking is visible or should have reasonably been visible, and as a result of continued operation, additional damage to the attachment results, Woods will not accept responsibility for the additional damage caused to other welds or to the attachment structure.
4. Materially modifying Woods attachments may result in premature failures of the attachment. Woods will not accept warranty claims on attachments that have been materially modified.
5. Misapplications of attachments may result in premature wear, breakage, or structural failures of the attachment. Woods will not accept warranty claims on attachments that have been misapplied. For instance, using a general purpose excavator bucket in an application requiring a heavy or severe duty bucket or using the excavator bucket as a "jack hammer" to break concrete are considered misapplications.

©2018 Woods Equipment Company. All rights reserved. WOODS, the Woods logo, and "Tested. Proven. Unbeatable." are trademarks of Woods Equipment Company. All other trademarks, trade names, or service marks not owned by Woods Equipment Company that appear in this manual are the property of their respective companies or mark holders. Specifications subject to change without notice.

W-10023-V CE Manuals (Rev. 10/1/2018)

Warranty Claim - (New)

Equipment Information

Serial Number

Model

Tractor Make Mow'n Machine

Tractor Model

Dealer Service Ticket # (optional)

Product Usage History

Hours Used In Field

(Round-up to the nearest Hour)

Life In-Field (since purchase date)

Date of Failure

October 2011						
Sun	Mon	Tue	Wed	Thu	Fri	Sat
25	26	27	28	29	30	1
2	3	4	5	6	7	8
9	10	11	12	13	14	15
16	17	18	19	20	21	22
23	24	25	26	27	28	29
30	31	1	2	3	4	5

Customer Information

Company Name

Phone

Street Address

Description of Failure

SAMPLE FORM

Add Credit Items

Woods Part QTY Part #

Add Labor Hours

Hours Description of Work

EXAMPLE 6 – WOODS CONSTRUCTION EQUIPMENT ONLINE WARRANTY CLAIM FORM

PROCEDURES FOR COMPLETION OF ONLINE WARRANTY CLAIM FORM

(Example 6, Page MISC30)

1. Sign on to the Woods Dealer Website at dealer.woodsequipment.com.
2. Click on the “**Product Registrations & Warranty**” button.
3. Click on “**Download User’s Manual**” to download a PDF of the User’s Manual.

If you do not have access to the Internet, please contact Woods Equipment Company at 1-800-319-6637 for assistance.

Responsibilities and Other Warranty Provisions	MISC34
Flat Rate Schedule	Refer to Pages MISC14 – MISC19
Example 7 – Warranty Statement Form	MISC35
Example 8 – Limited Warranty Statement Form	MISC36

WOODS EQUIPMENT COMPANY RESPONSIBILITIES**1. Parts Credit**

Reimbursement for parts used in warranty repair will be credited only when the parts are purchased from the Woods Equipment Company. Parts will be credited at dealer net. Invoice numbers must be supplied for the purchased parts. **NO WARRANTY REIMBURSEMENT WILL BE MADE ON PARTS WHICH ARE PAST DUE.**

2. Warranty Parts Freight

When parts must be shipped from Woods, freight will be paid by Woods when shipped in the most economical way. Shipment requested by special means will be at dealer's expense (e.g., air, next day air, priority, etc.).

3. Warranty Labor

Reimbursement for labor expense to the dealer is made at dealer shop rate. Repair times will be reviewed by the Woods Service Manager and may be adjusted according to average repair time requirements. Labor is not paid on service parts warranty. No driving time or service call charges will be allowed.

4. Outside Expenses

Reimbursement for materials or services are made to the dealer by payment of dealer net price. These expenses must be considered necessary to perform the warranty repair and are not normally expected to be provided by the dealer. (e.g., special welding, precision machining, etc.). Outside repair invoice must be attached to the warranty claim.

OTHER WARRANTY PROVISIONS

The following provisions are to be followed when performing warranty repairs:

1. In all cases, the most economical repair should be performed unless otherwise directed. As an example a complete hydraulic or electrical component or gearbox requires service and the combined total of labor and parts equals or exceeds 75% of the total cost of the component then the complete component should be replaced.
2. **WOODS GENUINE PARTS ARE COVERED UNDER WARRANTY FOR A PERIOD OF 90 DAYS.**
A copy of the purchase receipt or invoice must be attached to the claim requesting warranty reimbursement. When large or expensive components such as complete hydraulic or electrical components are sold as service parts the serial number, spec number or date code needs to be documented on the customer invoice. The dealer should then use this document to verify that the component being returned for warranty consideration matches the unit listed on the customer invoice. A copy of that invoice will need to be returned with the part if requested.
3. Woods Equipment Company reserves the right to reverse any or all warranty credits for parts, labor, or miscellaneous charges when errors are found or warranty policies are not complied with.
4. Warranty reimbursement is not possible:
 - If parts returned for evaluation are not cleaned and tagged, or if they are damaged in return shipment due to poor packaging.
 - When failure falls under the "limitations" as identified in the warranty statement (See Examples 7 and 8, Pages MISC35 and MISC36).
 - When Woods has requested the return of certain parts, assemblies, or information and has not received requested material within 30 days of date posted on return request.
 - On claims, due to damage or shortage, that are obviously the responsibility of the Woods dealer or the delivering carrier.
 - On the entire claim when warranty policy or provisions are not followed.
5. **Dealer modifications**
The dealer may not make modifications to products sold by Woods Equipment Company except to the extent necessary to include company authorized accessories or parts. The Limited Express Warranty shall be null and void with respect to any products otherwise modified. All liability for unauthorized modifications to products by the dealer shall be borne by the dealer and the dealer shall defend, indemnify and hold the Company harmless from any claims relating to said modification. All dealers warranty their own work to the purchaser.

WARRANTY

(Replacement Parts For All Models Except Mow'n Machine™
Zero-Turn Mowers)

Woods Equipment Company (“WOODS”) warrants this product to be free from defect in material and workmanship for a period of ninety (90) days from the date of delivery of the product to the original purchaser with the exception of V-belts, which will be free of defect in material and workmanship for a period of 12 months.

Under no circumstances will this Warranty apply in the event that the product, in the good faith opinion of WOODS, has been subjected to improper operation, improper maintenance, misuse, or an accident. This Warranty does not cover normal wear or tear, or normal maintenance items.

This Warranty is extended solely to the original purchaser of the product. Should the original purchaser sell or otherwise transfer this product to a third party, this Warranty does not transfer to the third party purchaser in any way. There are no third party beneficiaries of this Warranty.

WOODS' obligation under this Warranty is limited to, at WOODS' option, the repair or replacement, free of charge, of the product if WOODS, in its sole discretion, deems it to be defective or in noncompliance with this Warranty. **The product must be returned to WOODS with proof of purchase within thirty (30) days after such defect or noncompliance is discovered or should have been discovered, routed through the dealer and distributor from whom the purchase was made, transportation charges prepaid.** WOODS shall complete such repair or replacement within a reasonable time after WOODS receives the product. THERE ARE NO OTHER REMEDIES UNDER THIS WARRANTY. THE REMEDY OF REPAIR OR REPLACEMENT IS THE SOLE AND EXCLUSIVE REMEDY UNDER THIS WARRANTY.

THERE ARE NO WARRANTIES WHICH EXTEND BEYOND THE DESCRIPTION ON THE FACE OF THIS WARRANTY. WOODS MAKES NO OTHER WARRANTY, EXPRESS OR IMPLIED, AND WOODS SPECIFICALLY DISCLAIMS ANY IMPLIED WARRANTY OF MERCHANTABILITY AND/OR ANY IMPLIED WARRANTY OF FITNESS FOR A PARTICULAR PURPOSE.

WOODS shall not be liable for any incidental or consequential losses, damages or expenses, arising directly or indirectly from the product, whether such claim is based upon breach of contract, breach of warranty, negligence, strict liability in tort or any other legal theory. Without limiting the generality of the foregoing, Woods specifically disclaims any damages relating to (i) lost profits, business, revenues or goodwill; (ii) loss of crops; (iii) loss because of delay in harvesting; (iv) any expense or loss incurred for labor, supplies, substitute machinery or rental; or (v) any other type of damage to property or economic loss.

This Warranty is subject to any existing conditions of supply which may directly affect WOODS' ability to obtain materials or manufacture replacement parts.

No agent, representative, dealer, distributor, service person, salesperson, or employee of any company, including without limitation, WOODS, its authorized dealers, distributors, and service centers, is authorized to alter, modify, or enlarge this Warranty.

Answers to any questions regarding warranty service and locations may be obtained by contacting:

WOODS® | A Blount International Brand

2606 South Illinois Route 2
Post Office Box 1000
Oregon, Illinois 61061 USA

800-319-6637 tel
800-399-6637 fax
woodsequipment.com



ALITEC™
CENTRAL FABRICATORS®
GANNON®
WAIN-ROY®
WOODS®

©2018 Woods Equipment Company. All rights reserved. Woods® and the Woods logo are trademarks of Woods Equipment Company. All other trademarks, trade names, or service marks not owned by Woods Equipment Company that appear in this manual are the property of their respective companies or mark holders. Specifications subject to change without notice.

F-8494 (Rev. 11/12/2018)

EXAMPLE 7 – WARRANTY STATEMENT FORM

MISC35 Miscellaneous



LIMITED WARRANTY

(Mow'n Machine™ Zero-Turn Mower Replacement Parts)

Woods Equipment Company ("WOODS") warrants replacement parts for Mow'n Machine™ zero-turn mowers and attachments to be free from defect in material and workmanship for a period of ninety (90) days from the date of delivery of the product to the original purchaser.

IMPLIED WARRANTIES OF MERCHANTABILITY AND/OR FITNESS FOR A PARTICULAR PURPOSE ARE LIMITED IN DURATION TO A PERIOD OF NINETY (90) DAYS FROM THE DATE OF DELIVERY OF THE PRODUCT TO THE ORIGINAL PURCHASER. Some states do not allow limitations on how long an implied warranty lasts, so the above limitation may not apply to you.

This Warranty is extended solely to the original purchaser of the product. Should the original purchaser sell or otherwise transfer the product to a third party, this Warranty does not transfer to the third party purchaser in any way. There are no third party beneficiaries of this Warranty.

This Warranty does not cover normal wear or tear, or normal maintenance items, or any damage, failure or loss caused by improper operation, improper maintenance, misuse, or an accident.

WOODS' obligation under this Warranty is limited to, at WOODS' option, the repair or replacement, free of charge, of the product if the product is defective or in noncompliance with this Warranty. **The product must be returned to WOODS with proof of purchase within thirty (30) days after such defect or noncompliance is discovered or should have been discovered, routed through the dealer and distributor from whom the purchase was made, transportation charges prepaid.** WOODS shall complete such repair or replacement within a reasonable time after WOODS receives the product.

WOODS shall not be liable for any incidental or consequential losses, damages or expenses, arising directly or indirectly from the product, whether such claim is based upon breach of contract, breach of warranty, negligence, strict liability in tort or any other legal theory. Without limiting the foregoing, WOODS shall not be liable for any damages relating to (i) lost profits, business, revenues or goodwill; (ii) any expense or loss incurred for labor, supplies, substitute machinery or rental; or (iii) any other type of damage to property or economic loss. Some states do not allow the exclusion or limitation of incidental or consequential damages, so the above limitations may not apply to you.

No agent, representative, dealer, distributor, service person, salesperson, or employee of any company, including without limitation, WOODS, its authorized dealers, distributors, and service centers, is authorized to alter, modify, or enlarge this Warranty.

This Warranty gives you specific legal rights, and you may also have other rights which may vary from state to state.

Answers to any questions regarding warranty service and locations may be obtained by contacting:

WOODS® | A Blount International Brand

2606 South Illinois Route 2
Post Office Box 1000
Oregon, Illinois 61061 USA

800-319-6637 tel
800-399-6637 fax
woodsequipment.com

WOODS®

ALITEC™
CENTRAL FABRICATORS®
GANNON®
WAIN-ROY®
WOODS®

©2018 Woods Equipment Company. All rights reserved. Woods®, the Woods logo and Mow'n Machine are trademarks of Woods Equipment Company. All other trademarks, trade names, or service marks not owned by Woods Equipment Company that appear in this manual are the property of their respective companies or mark holders. Specifications subject to change without notice.

F-8495 MM & Boundary Repair Parts (Rev. 11/12/2018)

©2021 Woods Equipment Company. All rights reserved. WOODS, the Woods logo, Alitec, Batwing, BrushBull, CF, Gannon, Groundbreaker, Mow'n Machine, Ripper Bucket, Saf-T-Lock, Wain-Roy are all trademarks of Woods Equipment Company. All other trademarks, trade names, or service marks not owned by Woods Equipment Company that appear in this price book are the property of their respective companies or mark holders.

